

REV. #	DATE	BY	CHKD	DESCRIPTION
1				ISSUED FOR CONSTRUCTION

CLIENT: CHRISTIAN BROTHERS AUTOMOTIVE
 17725 KATY FREEWAY - SUITE 200 - HOUSTON, TX 77064

PROJECT: CHRISTIAN BROTHERS AUTOMOTIVE - NORCROSS
 5650 PEACHTREE INDUSTRIAL BLVD
 LAND LOT 272, DISTRICT 6, PARCEL 6272.327
 NORCROSS, GWINNETT COUNTY, GA

SEAL:

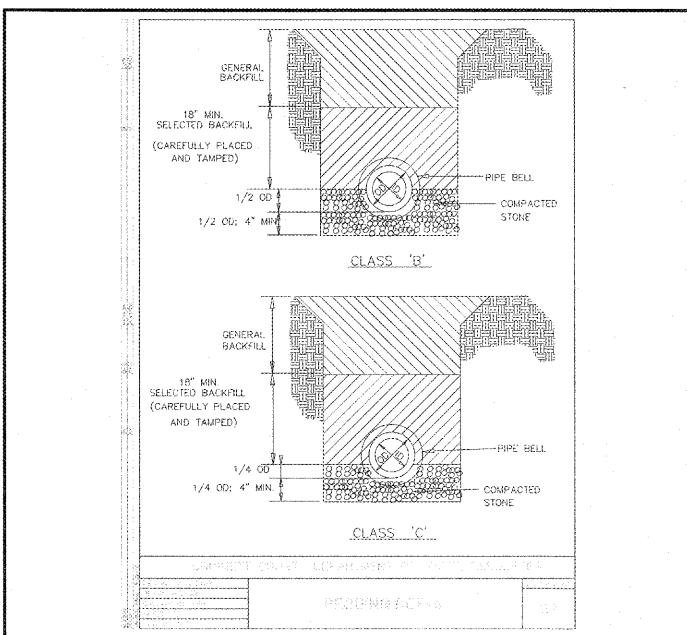
FOR INFORMATIONAL PURPOSES ONLY

DESIGN TEAM:
 DRAWN BY: TDD
 DESIGNED BY: TDD
 REVIEWED BY: MSL

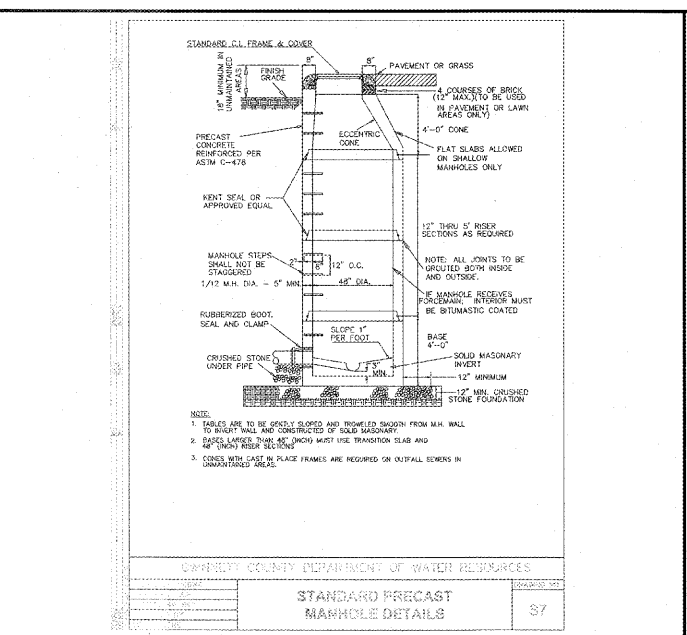
811
 Know what's below.
 Call before you dig.

DETAILS ARE NOT DRAWN TO SCALE

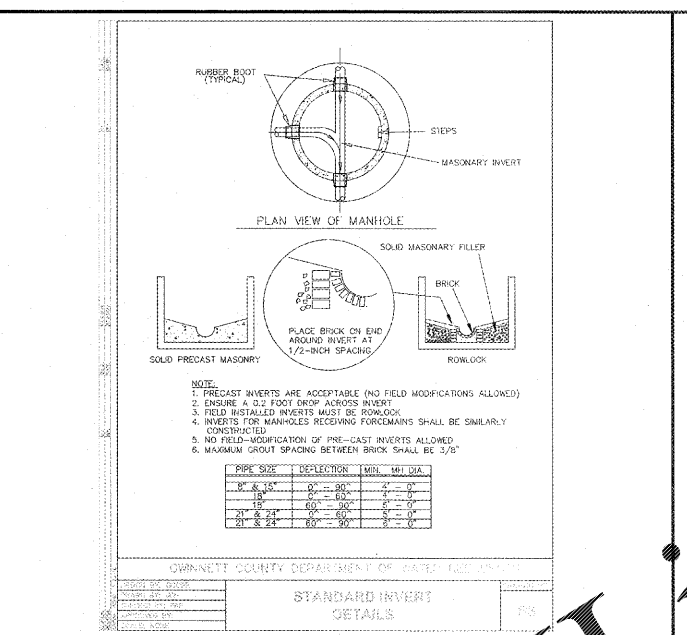
JOB #: 18005
 DATE: 08/18/2018
 CONSTRUCTION DETAILS - 4



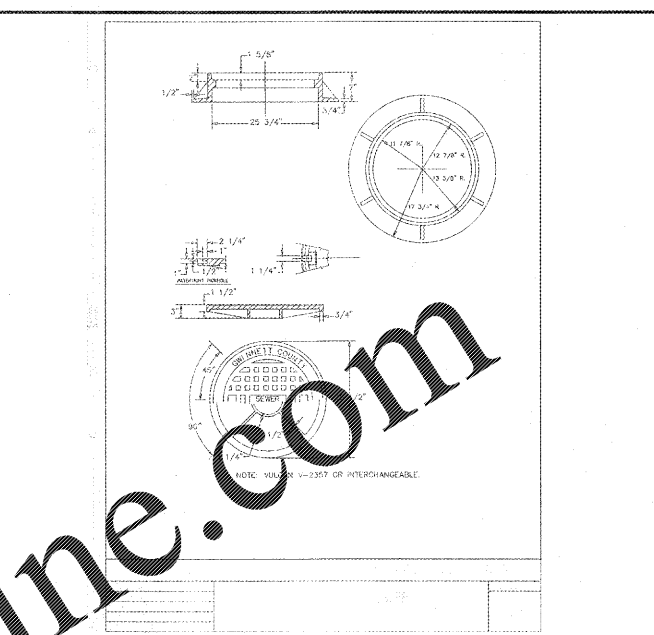
1



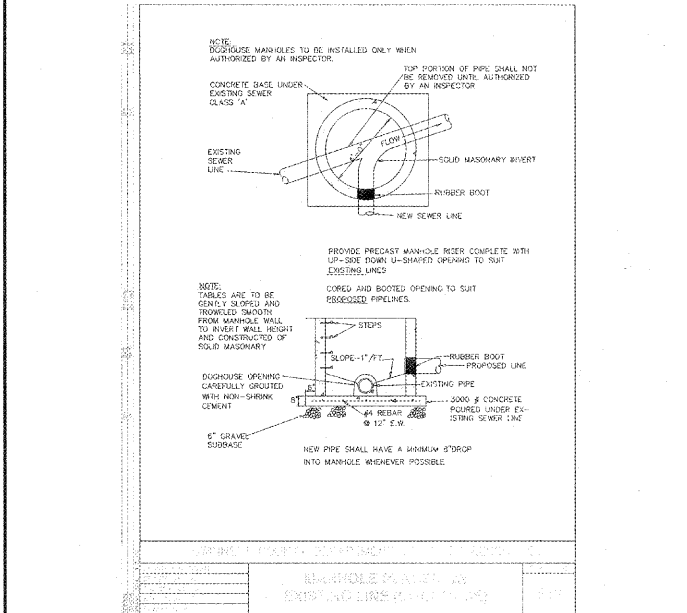
2



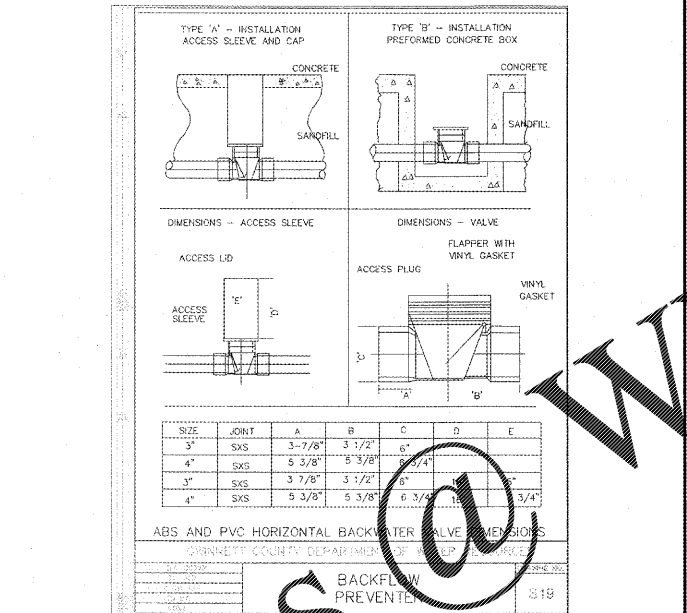
3



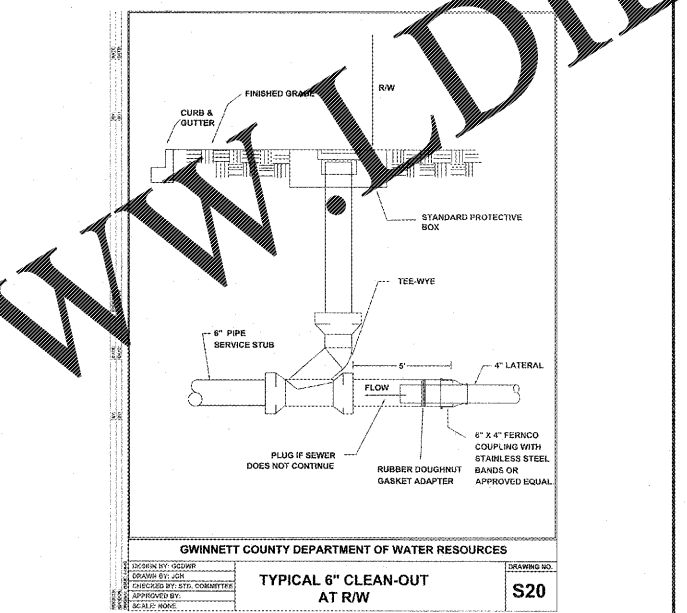
4



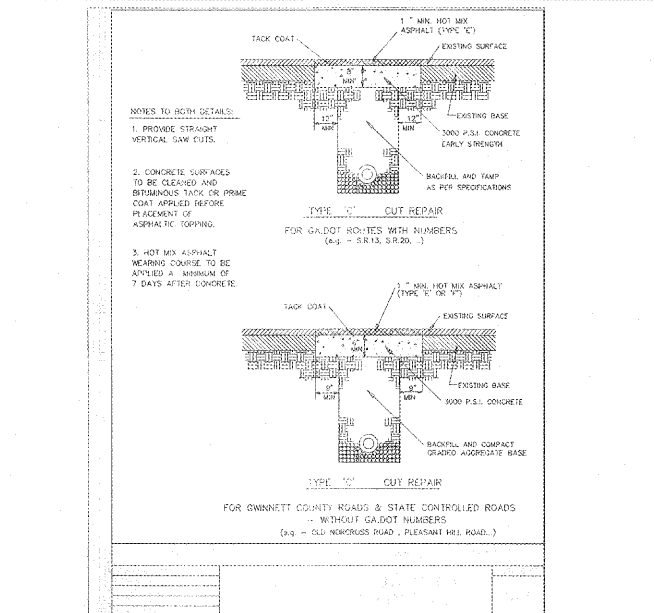
5



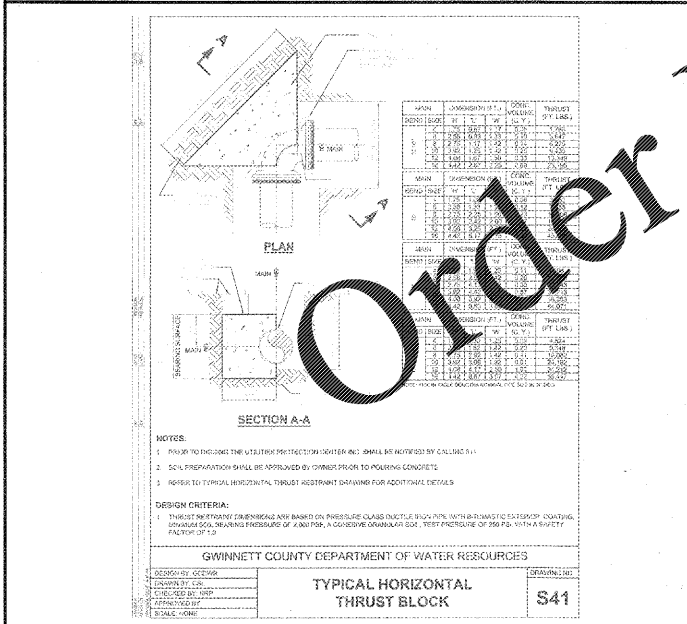
6



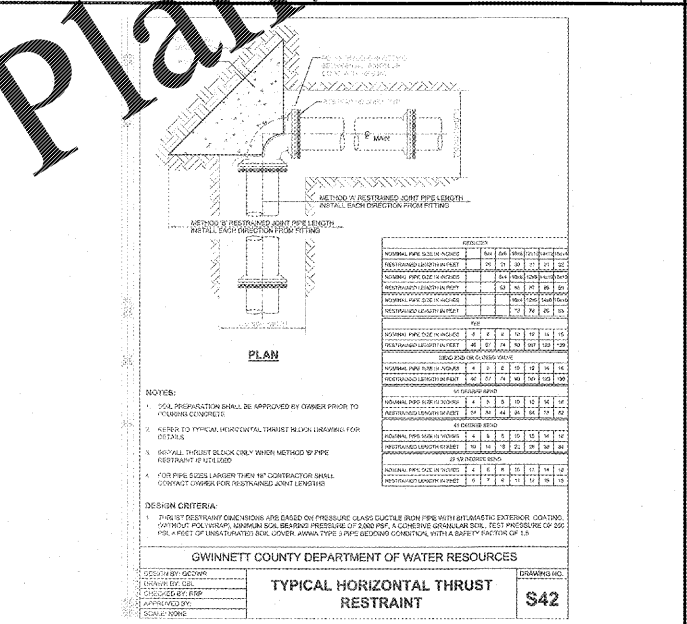
7



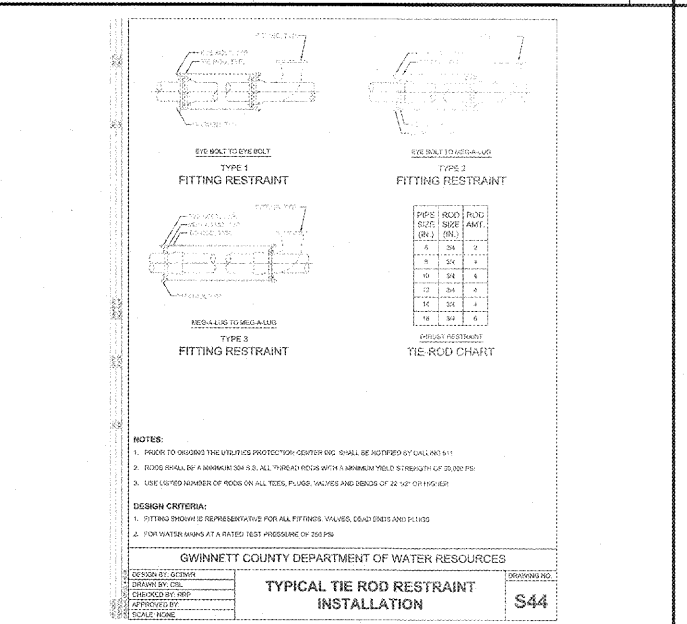
8



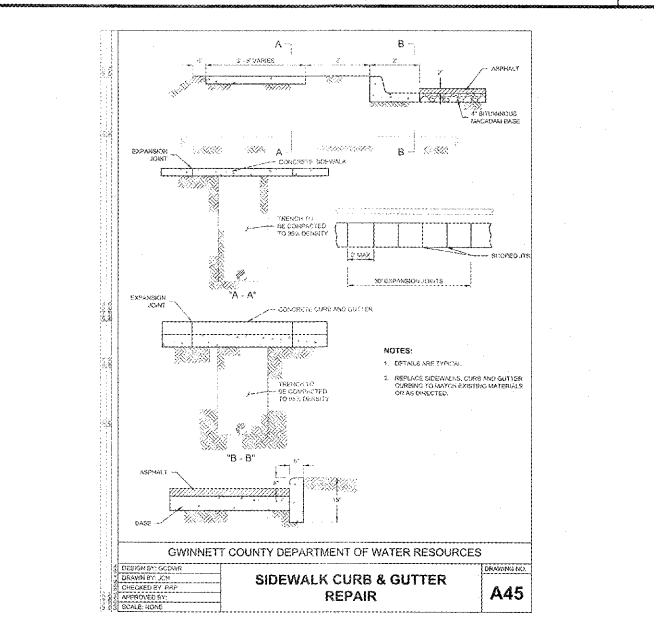
9



10



11



12

Drawing name: L18005 - Christian Brothers Automotive - Norcross, GWINNETT COUNTY 18005 - 10 - DETAILS.dwg CONSTRUCTION DETAILS - 4 Nov 28, 2018 2:40pm By: thomas.dugan

Order Plans

WWW.DIline.com