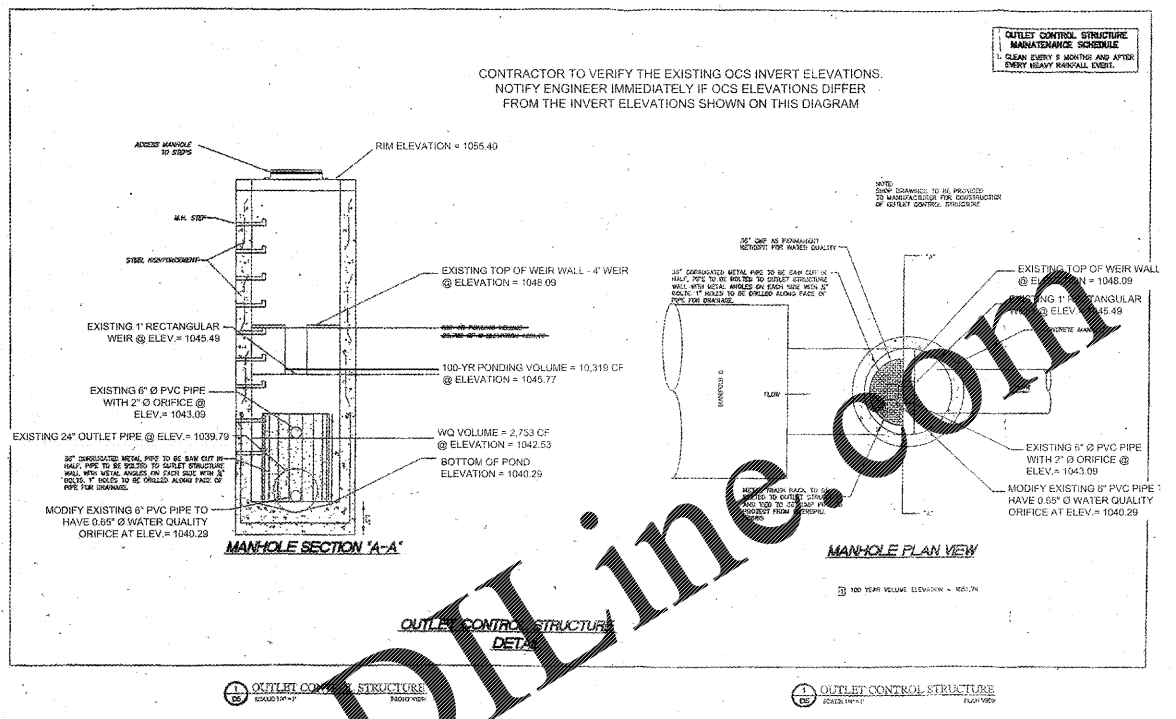


D	TYPE A					TYPE B		
	W1	MIN-W2	W3	a	b	MIN-H	NORMAL W OR W1	MIN-H
15'	2'-0"	2'-6 1/2"	2'-7"	0'-3 1/2"	0'-6"	3'-3"	2'-0"	2'-7 1/2"
18'	2'-0"	2'-9 1/2"	2'-7"	0'-3 1/2"	0'-6"	3'-6"	2'-3"	2'-10"
24'	2'-0"	4'-12"	3'-3"	0'-7 1/2"	1'-1"	4'-9"	3'-0"	3'-8"
30'	3'-4"	5'-1 1/2"	3'-11"	0'-11 1/2"	1'-8"	5'-10"	3'-8 1/2"	4'-2 1/2"
36'	3'-10"	6'-1 1/2"	4'-5"	1'-2 1/2"	2'-1 1/4"	6'-10"	4'-2"	4'-10"
42'	4'-5"	7'-2 1/2"	5'-0"	1'-5"	2'-7 1/2"	7'-11"	4'-8 1/2"	5'-4 1/2"
48'	5'-0"	8'-3 1/2"	5'-7"	1'-9 1/2"	3'-1 1/4"	9'-0"	5'-3 1/2"	5'-11 1/2"
54'	5'-7"	9'-4 1/2"	6'-2"	2'-1"	3'-7 1/4"	10'-1"	5'-10"	6'-6"
60'	6'-2"	10'-5 1/2"	6'-9"	2'-4 1/2"	4'-1 1/2"	11'-2"	6'-4 1/2"	7'-8 1/2"
66'	6'-9"	11'-6 1/2"	7'-4"	2'-8"	4'-7 1/2"	12'-3"	6'-11"	7'-7"
72'	7'-4"	12'-7 1/2"	7'-11"	2'-11 1/2"	5'-1 1/4"	13'-4"	7'-5 1/2"	8'-1 1/2"

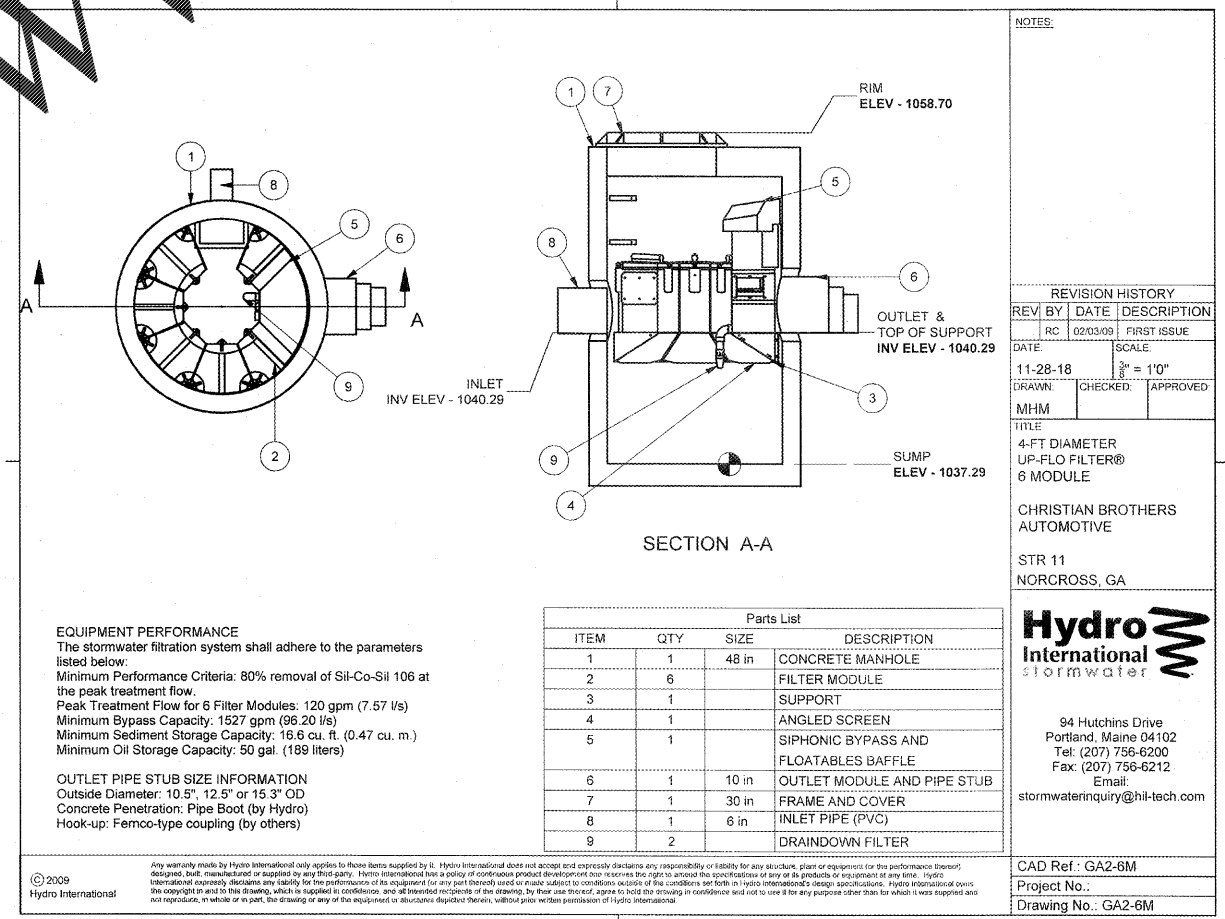
DROP INLET DETAIL
NOT TO SCALE

3



DETENTION OUTLET CONTROL STRUCTURE DETAIL
NOT TO SCALE

2



WATER QUALITY UNIT DETAIL
NOT TO SCALE

1

Order Plans @ WWW.LDOnline.com

Drawing name: L18005 - Christian Brothers Automotive - Norcross, GA/CADD/CONSTR18005 - 10 - DETAILS.dwg CONSTRUCTION DETAILS - 3 - Nov 28, 2018 3:28pm by: thomas.delan

This document, together with the concepts and designs presented herein, is intended only for the specific purpose and client for which it was prepared. Reuse of and improper reliance on this document without written authorization and adaptation by LeCraw Engineering, Inc. shall be without liability to LeCraw Engineering, Inc. Copyright LeCraw Engineering, Inc., 2018

LECRAW ENGINEERING
© 2018 LECRAW ENGINEERING, INC.
3475 CORPORATE WAY
DULUTH, GA 30096
PHONE: 678.546.8100
FAX: 770.441.0288
WWW.LECRAWENGINEERING.COM
PER00276

REV. #	DATE	BY	CHKD	DESCRIPTION
1	11/28/18	TDD	TDD	ISSUE FOR PERMITS

CLIENT: CHRISTIAN BROTHERS AUTOMOTIVE
17725 KATY FREEWAY - SUITE 200 - HOUSTON, TX 77094

PROJECT: CHRISTIAN BROTHERS AUTOMOTIVE - NORCROSS
5650 PEACHTREE INDUSTRIAL BLVD
LAND LOT 272, DISTRICT 6, PARCEL 6272.327
NORCROSS, GWINNETT COUNTY, GA

SEAL: [Professional Engineer Seal]

DESIGN TEAM:
DRAWN BY: TDD
DESIGNED BY: TDD
REVIEWED BY: MSL

811 Know what's below. Call before you dig.

DETAILS ARE NOT DRAWN TO SCALE

JOB #: 18005
DATE: 08/10/2018
CONSTRUCTION DETAILS - 3

C-7.2