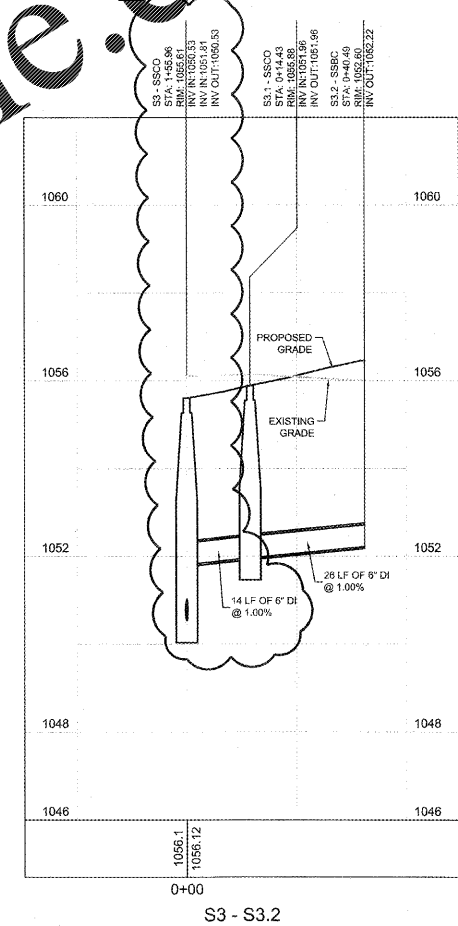
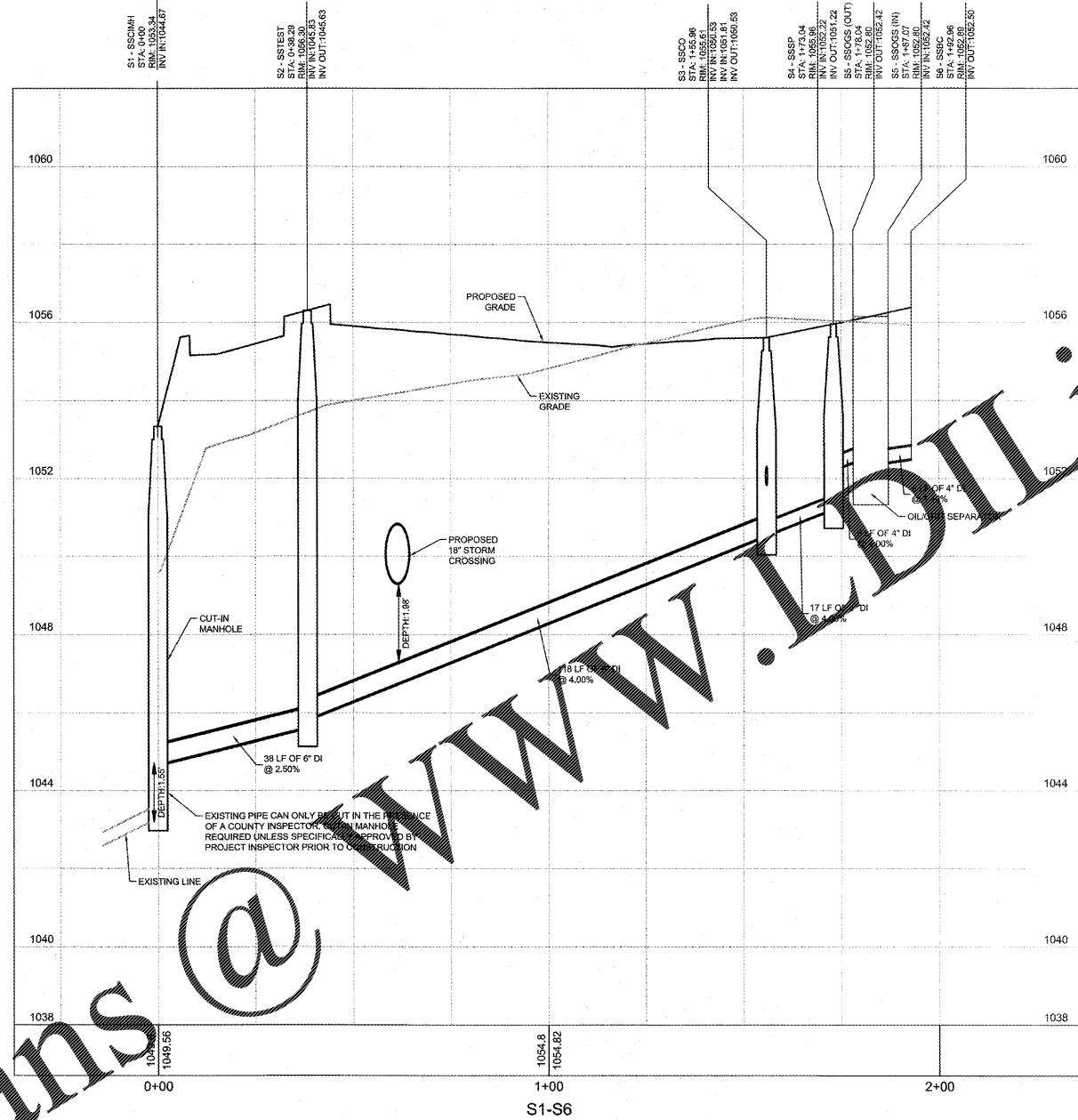


Drawing name: L:\18005 - Christian Brothers Automotive - Norcross_GA\CADD\CONSTR\18005-00 - PROFILES.dwg SANITARY PROFILES Jan 08 2019 2:33pm by: thomas.dugan

Order Plans @ www.LDILine.com



S1 - SSCMH
STA. 0+00
INV. IN: 1044.27
INV. OUT: 1046.63

S2 - SETEST
STA. 0+38.20
INV. IN: 1046.63
INV. OUT: 1046.63

S3 - SSCO
STA. 1+73.04
INV. IN: 1055.81
INV. IN: 1056.53
INV. OUT: 1060.53

S4 - SSSP
STA. 1+73.04
INV. IN: 1052.22
INV. OUT: 1051.22

S5 - SDOGS (OUT)
STA. 1+87.07
INV. IN: 1051.81
INV. OUT: 1052.80

S5 - SDOGS (IN)
STA. 1+87.07
INV. IN: 1052.42
INV. IN: 1052.42

S6 - S8BC
STA. 1+82.96
INV. IN: 1052.42
INV. OUT: 1052.50

S3.1 - SSCO
STA. 1+56.96
INV. IN: 1055.81
INV. IN: 1051.81
INV. OUT: 1050.53

S3.2 - S8BC
STA. 1+52.80
INV. IN: 1051.96
INV. IN: 1051.96
INV. IN: 1052.80
INV. OUT: 1052.22

LECRAW ENGINEERING, INC.
3475 GUNNERS CREEK WAY
SUITE A
DULUTH, GA 30096
PHONE - 478.548.8100
FAX - 770.441.0286
WWW.LECRAWENGINEERING.COM
PEF002798

NO.	DATE	BY	CHECKED
1	11/20/2018	TDD	MSL
2	01/08/2019	TDD	MSL

CLIENT
CHRISTIAN BROTHERS AUTOMOTIVE
17725 KATY FREEWAY - SUITE 200 - HOUSTON, TX 77084

PROJECT
CHRISTIAN BROTHERS AUTOMOTIVE - NORCROSS
5650 PEACHTREE INDUSTRIAL BLVD
LAND LOT 272, DISTRICT 6, PARCEL 6272 327
NORCROSS, GWINNETT COUNTY, GA

SEAL:

DESIGN TEAM:
DRAWN BY: TDD
DESIGNED BY: TDD
REVIEWED BY: MSL

811
Know what's below.
Call before you dig.

SCALE & NORTH ARROW:

SCALE: 1"=20'

JOB #: 18005
DATE: 08/18/2018
SANITARY PROFILES
C-6.1