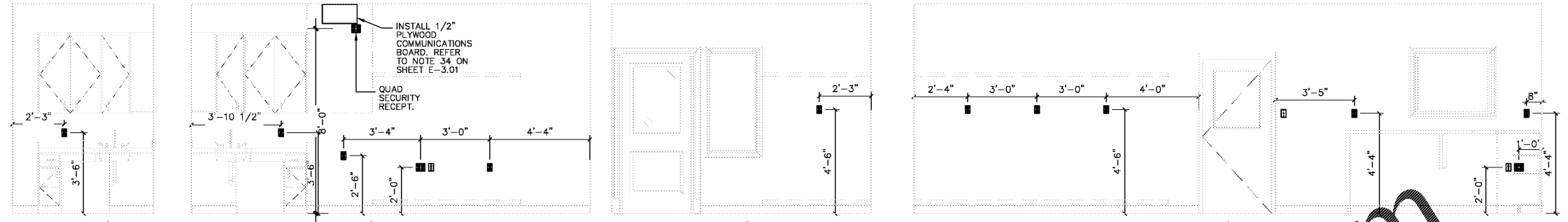


# ELECTRICAL ELEVATIONS

SEE A-10 FOR INTERIOR ELEVATION FINISH NOTES.

SEE MEP DRAWINGS FOR MORE INFORMATION ON MECHANICAL/ELECTRICAL/PLUMBING INSTALLATION.

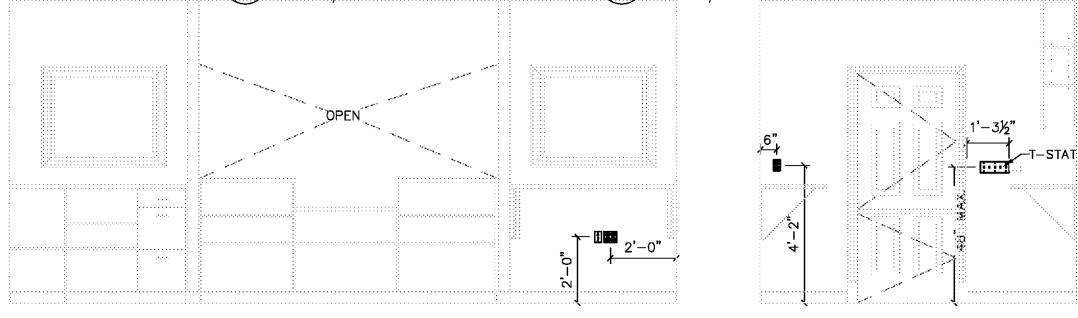


25 LUNCH / WORK 105  
SCALE: 3/8" = 1'-0"

24 LUNCH / WORK 105  
SCALE: 3/8" = 1'-0"

23 LUNCH / WORK 105  
SCALE: 3/8" = 1'-0"

22 LUNCH / WORK 105  
SCALE: 3/8" = 1'-0"



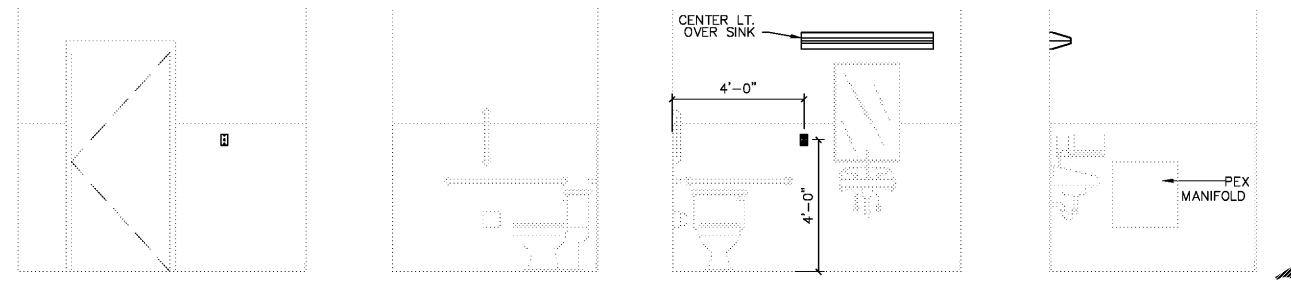
21 SERVICE 102  
SCALE: 3/8" = 1'-0"

20 SERVICE 102  
SCALE: 3/8" = 1'-0"

19 SERVICE 102  
SCALE: 3/8" = 1'-0"

18 RECEPTION/WAITING 101  
SCALE: 3/8" = 1'-0"

17 RECEPTION/WAITING 101  
SCALE: 3/8" = 1'-0"



16 TECH. RESTROOM 107  
SCALE: 3/8" = 1'-0"

15 TECH. RESTROOM 107  
SCALE: 3/8" = 1'-0"

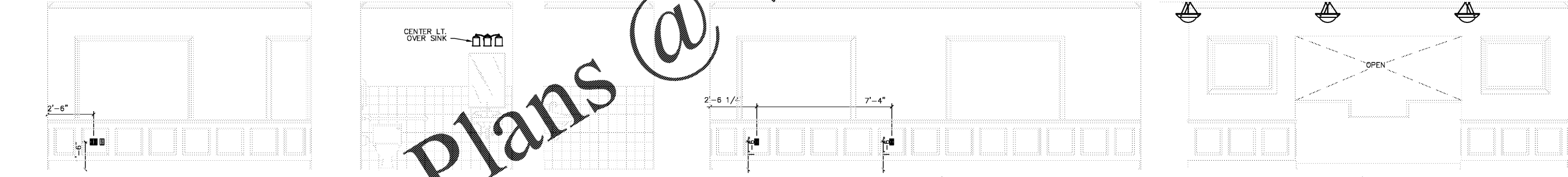
14 TECH. RESTROOM 107  
SCALE: 3/8" = 1'-0"

13 TECH. RESTROOM 107  
SCALE: 3/8" = 1'-0"

12 OFFICE 104  
SCALE: 3/8" = 1'-0"

11 OFFICE 104  
SCALE: 3/8" = 1'-0"

10 OFFICE 104  
SCALE: 3/8" = 1'-0"



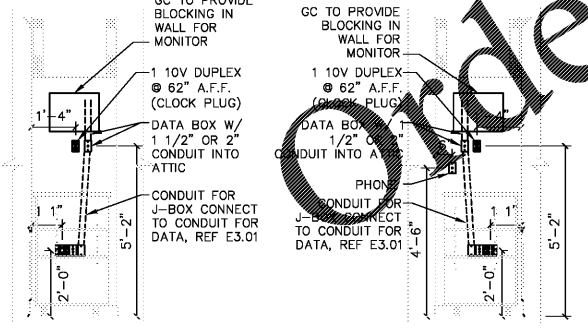
10 OFFICE 104  
SCALE: 3/8" = 1'-0"

9 OFFICE RESTROOM 103  
SCALE: 3/8" = 1'-0"

8 OFFICE RESTROOM 103  
SCALE: 3/8" = 1'-0"

7 RECEPTION / WAITING 101  
SCALE: 3/8" = 1'-0"

6 RECEPTION / WAITING 101  
SCALE: 3/8" = 1'-0"



6B SERVICE 102  
SCALE: 3/8" = 1'-0"

6C SERVICE 102  
SCALE: 3/8" = 1'-0"

4 OFFICE RESTROOM 103  
SCALE: 3/8" = 1'-0"

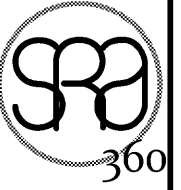
3 OFFICE RESTROOM 103  
SCALE: 3/8" = 1'-0"

2 RECEPTION / WAITING 101  
SCALE: 3/8" = 1'-0"

1 RECEPTION / WAITING 101  
SCALE: 3/8" = 1'-0"

Order Plans @

WWW.LDLINE.COM



360  
STEWART - REINHERMA ARCHITECTURE, PLLC  
5450 E. High Street, Suite 200  
Phoenix, Arizona 85054  
P: 480.515.5123  
www.sra360.com

Christian Brothers Automotive  
5650 Peachtree Industrial Boulevard  
Norcross, GA 30071

Christian Brothers Automotive  
1725 Katy Freeway, St. 200  
Houston, TX 77054

GEORGIA  
No. 25311  
Professional Seal  
CHARLETT R. LIND  
10/19/2018  
Date

Revisions  
2/26/18 - Prototype Update

Project No. 18-042  
Drawn By:  
Date: 10/19/18  
Sheet Title:

ELECTRICAL INTERIOR ELEVATIONS

Drawing No.

E-4.02  
LH9N-09-2018

