

STEWART + REINHERMA ARCHITECTURE, PLLC

5450 E. High Street, Suite 200
Phoenix, Arizona 85054
P: 480.315.9123
www.sra360.com

Christian Brothers Automotive
5650 Peachtree Industrial Boulevard
Norcross, GA 30071



10/19/2018

Date

Revisions

2/26/18 - Prototype Update

Project No. 18-042

Drawn By:

Date: 10/19/18

Sheet Title:

ELEC DIAG & DET

Drawing No.

E-4.01

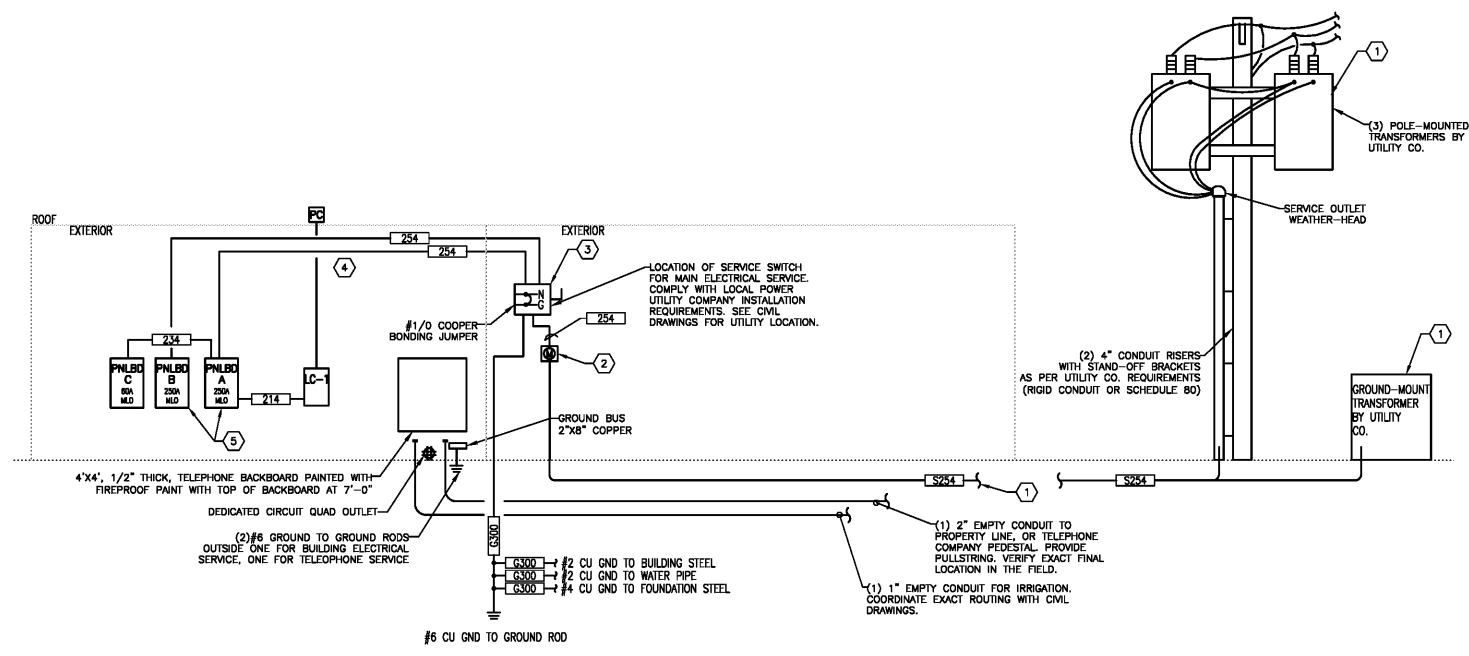
LH9N-09-2018

ELECTRICAL NOTES:

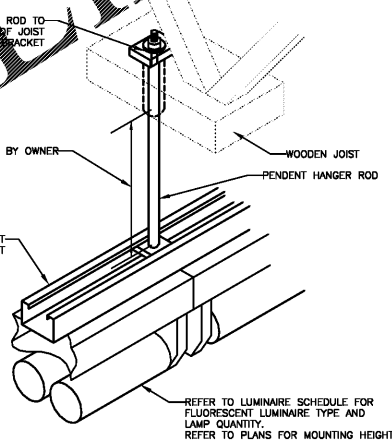
1. ROUTE SERVICE FEEDER TO UTILITY TRANSFORMER. COORDINATE UTILITY TRANSFORMER TYPE & FAULT CURRENT WITH LOCAL UTILITY COMPANY PRIOR TO COMMENCEMENT OF WORK. TRANSFORMER TO BE EITHER GROUND-MOUNT TRANSFORMER OR POLE-MOUNT TRANSFORMER.
2. PROVIDE 320A METER SOCKET PER UTILITY COMPANY REQUIREMENTS.
3. PROVIDE A 400A/3P/250AF NEMA 3R DISCONNECT SERVICE SWITCH. STUB UP ELECTRICAL SERVICE CONDUITS INTO SWITCH. PROVIDE LUGS AS REQUIRED.
4. ALL EQUIPMENT AT TECH RESTROOM WALL TO BE STACKED VERTICALLY WHERE POSSIBLE TO CONSERVE SPACE.
5. (2) 120/208V, 3Ø, 4W PANELS WITH 250A BUS.

GENERAL NOTES:

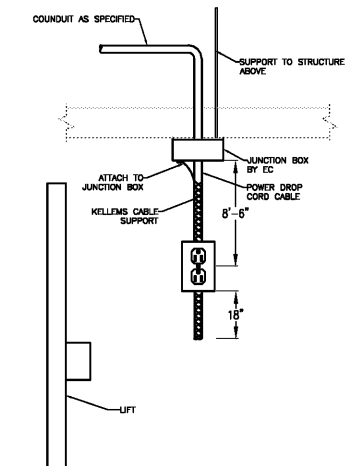
1. PROVIDE GROUNDING CONDUCTORS FOR ALL CONDUITS.
2. ALL WORK FOR CONNECTION OF ELECTRICAL SERVICE SHALL COMPLY WITH ELECTRICAL UTILITY COMPANY STANDARDS.
3. PROVIDE INSULATED GROUND BUS FOR ALL PANELS.
4. ELECTRICAL SYSTEM SHALL BE FULLY RATED. SERIES RATED EQUIPMENT SHALL NOT BE ACCEPTED.
5. PROVIDE FULL LENGTH, FULL SIZE GROUND AND NEUTRAL BUS IN ALL PANELS/BOARDS.
6. ALL INDOOR EQUIPMENT SHALL BE IN NEMA 1 ENCLOSURE, AND ALL EXTERIOR EQUIPMENT SHALL BE IN NEMA 3R.
7. COORDINATE EQUIPMENT LOCATIONS WITH ARCHITECTURAL ELEVATIONS.
8. PRIMARY SERVICE FEEDER TO BE MINIMUM OF 100' IN LENGTH FOR CONDUIT AND CONDUCTOR SIZES SHOWN. CONTRACTOR TO INCREASE WIRE SIZES IF FEEDER LENGTH TO BE LONGER THAN 100'. COORDINATE EXACT LENGTH AND ROUTING OF FEEDER WITH CIVIL DRAWINGS.



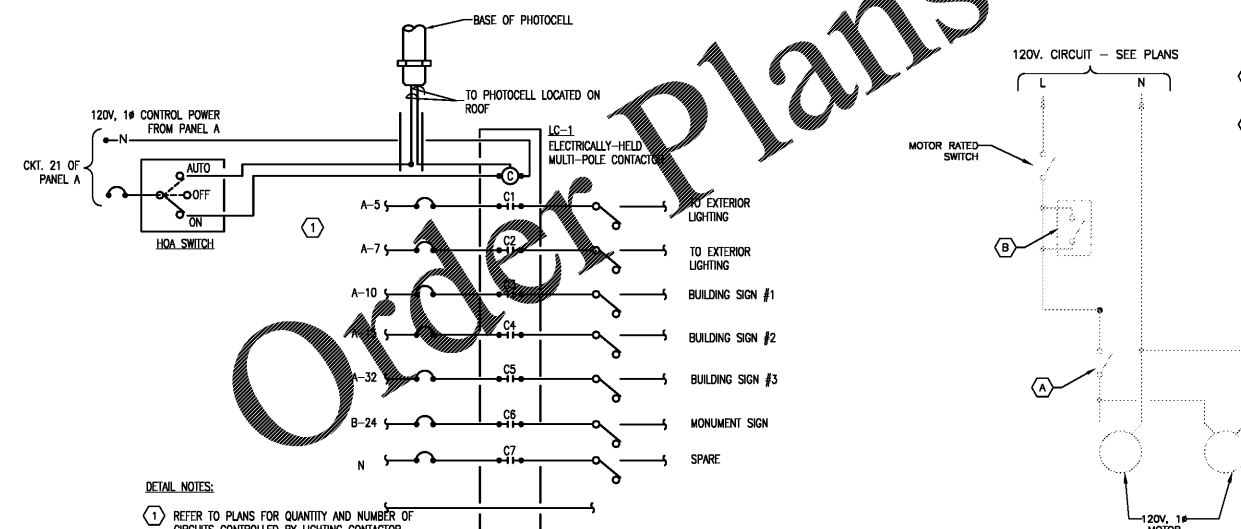
1 ELECTRICAL RISER DIAGRAM
SCALE: NONE



3 STRIP LUMINAIRE DETAIL
NOT TO SCALE

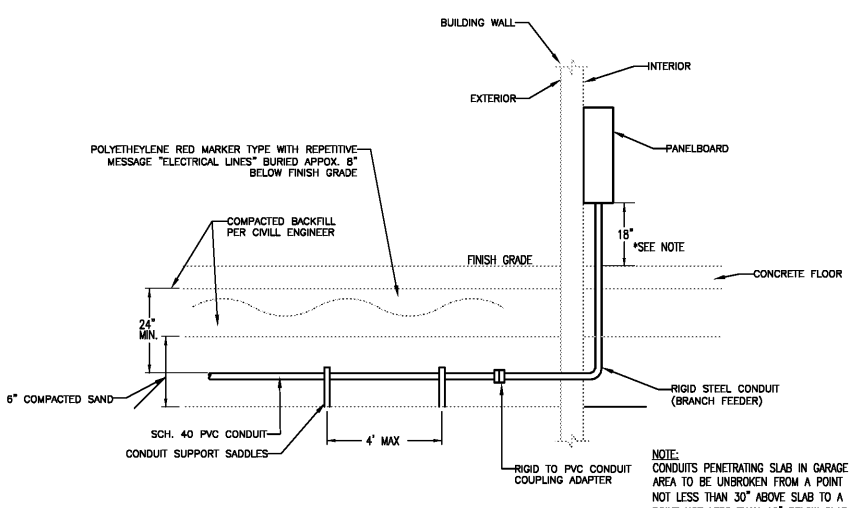


6 TYPICAL 50 DROP CORD DETAIL
NOT TO SCALE



2 EXTERIOR LIGHTING CONTROLLED BY PHOTO-CONTROL
NOT TO SCALE

5 EXHAUST FAN #3 & #4 WIRING DETAIL
NOT TO SCALE



4 TYPICAL UNDERGROUND CONDUIT RUN
NOT TO SCALE

NOTE: PLANS SHALL COMPLY WITH 2017 PRRB CODE.

Adifica | case engineering

St. Louis - Montreal

756 Mears Court
St. Louis, MO 63107
T 636.349.1600
F 636.349.1750
adificacase.com

mechanical electrical plumbing fire protection structural

CERTIFICATE OF AUTHORITY NO. PF0906438

WWW.LDMLINE.COM

Order Plans @

- NOTE:
1. ALL WALL MOUNT EXTERIOR ELECTRICAL EQUIPMENT SHALL BE PAINTED TO MATCH EXTERIOR COLOR. COORDINATE FINAL COLOR AND PAINTING REQUIREMENTS WITH ARCHITECT.
 2. WIRE SHALL BE TYPE THHN FOR UNDERGROUND AND WET AREAS UNLESS OTHERWISE NOTED.
 3. WIRE SHALL BE TYPE THHN FOR DRY ABOVE GRADE APPLICATION UNLESS NOTED OTHERWISE.
 4. CONDUIT SHALL BE TYPE EMT UNLESS NOTED OTHERWISE.

- CIRCUIT SCHEDULE:
- ALL CONDUCTOR SIZES ARE BASED ON 75 DEG C RATED TERMINATION AND COPPER CONDUCTORS WITH TYPE THHN/THWN-2 INSULATION.
- 214 20A (4) #14 CU, (1) #126, 1°C
 - 234 100A (4) #3 CU, (1) #86, 1°C
 - 254 250A (4) 250 CU, (1) #26, 2-1/2°C
 - S254 250A (4) #250 CU, 2-1/2°C, PLUS (1) SPARE EMPTY 2-1/2°C WITH FULLSTRING
 - 6500 GND, #2 COPPER GROUND, 3/4°C

- KEYED NOTES:
- (A) DISCONNECT SWITCH AT MOTOR WHERE INDICATED ON DRAWING OR REQUIRED BY CODE. DISCONNECT FURNISHED BY M.C. AS PART OF FAN WHEN MOTOR IS ROOF FAN.
 - (B) 120V, MOTOR OPERATED LOUVER BY M.C. MOTOR RATED DISCONNECT BY E.C.

DETAIL NOTES:
1 REFER TO PLANS FOR QUANTITY AND NUMBER OF CIRCUITS CONTROLLED BY LIGHTING CONTACTOR