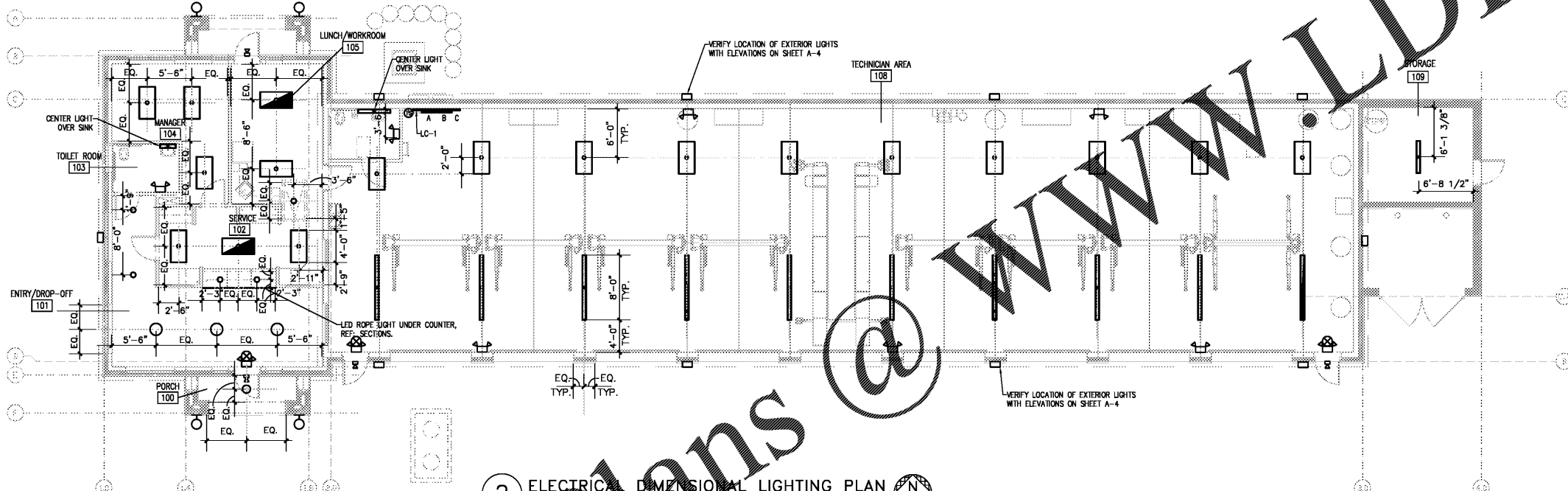
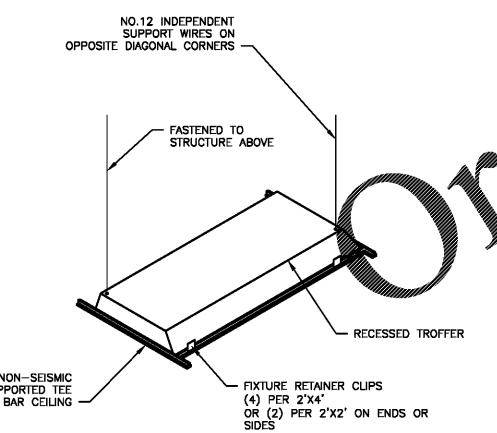


1 ELECTRICAL LIGHTING PLAN
SCALE: 1/8" = 1'-0"



2 ELECTRICAL DIMENSIONAL LIGHTING PLAN
SCALE: 1/8" = 1'-0"



3 TYPICAL LIGHT FIXTURE HANGERS
NOT TO SCALE

- KEY NOTES:**
- 1 PROVIDE A CONVENIENT GFCI OUTLET AND A CAST ALUMINUM BASE TYPE FIXTURE WITH GLASS GLOBE AND WIRE GUARD IN ATTIC. SERVING SPST SWITCH SHALL BE LOCATED IN ACCESSIBLE LOCATION NEAR THE TOP OF THE ATTIC ACCESS POINT. THE LIGHTING FIXTURE SHALL NOT BE CONNECTED ON THE LOAD SIDE OF THE GFCI RECEPTACLE.
 - 2 PROVIDE A 2" EMPTY SCHEDULE 40 PVC CONDUIT AT LEAST 24" BELOW GRADE FROM PANEL 'A' TO MONUMENT/PYLON SIGNS. STEEL CONDUIT SHALL PENETRATE INTO THE GARAGE TO THE PANEL. USE PVC TO STEEL CONDUIT COUPLING, SEE DETAIL 4/E-401. IF SIGN IS USED, PULL 2#10 AND 1#10 GROUND CUD CONDUCTORS. VERIFY NUMBER OF SIGNAGE CIRCUITS AND CONDUCTORS WITH SITE SIGNAGE PROVIDER. ALL SIGNAGE FLOODLIGHT HOMERUNS SHALL BE CONTROLLED BY A ROOF MOUNTED PHOTOCELL WITH MANUAL OVERRIDE. SEE DETAIL 2/E-4.01. IF MONUMENT SIGN IS NOT USED, RUN FULLSTRUNG IN CONDUIT AND CAP AT BOTH ENDS.
 - 3 ALL EXIT/EMERGENCY LIGHTS SHALL NOT BE SWITCHED AND BE ON THE SAME HOMERUN AS THE SURROUNDING NON-EMERGENCY FIXTURES IN THE ROOM/AREA.
 - 4 ALL EXTERIOR LIGHTS TYPE F SHALL BE CONTROLLED BY A ROOF MOUNTED PHOTOCELL WITH MANUAL OVERRIDE. MOUNTING HEIGHT FOR ALL TYPE F SHALL BE 15'-8" A.F.F. TO BOTTOM OF FIXTURE UNLESS NOTED OTHERWISE.
 - 5 REFER TO 2/E-4.01 FOR LIGHTING CONTROL DIAGRAM.
 - 6 CONTRACTOR SHALL VERIFY THAT THERE IS ADEQUATE SPACING BETWEEN ADJACENT TYPE M FIXTURES AND RADIANT HEATERS. COORDINATE WITH OWNER.
 - 7 CENTER EXTERIOR FIXTURE ON PEAK OF GABLE AT THE END OF THE BUILDING. REFER TO ARCHITECTURAL DRAWINGS. MOUNTING HEIGHT SHALL BE 15'-0" A.F.F. TO THE BOTTOM OF FIXTURE.
 - 8 VERIFY EXTERIOR LIGHTING LOCATIONS WITH ARCHITECTURAL DRAWING A-5. MOUNT BOTTOM OF FIXTURE AT 10'-8" TO LINE WITH TOP OF ENTRY DOOR. VERIFY BOTTOM OF FIXTURE HEIGHTS WITH NOTES AND ARCH DWG A-5.
 - 9 VERIFY EXTERIOR LIGHTING LOCATIONS WITH ARCHITECTURAL DRAWING A-4. VERIFY BOTTOM OF FIXTURE HEIGHTS WITH NOTES AND ARCH DRAWING A-4.
 - 10 CENTER EXTERIOR FIXTURE ON PEAK OF GABLE AT THE END OF THE BUILDING. REFER TO ARCHITECTURAL DRAWINGS. MOUNTING HEIGHT SHALL BE 20'-0" A.F.F. TO THE BOTTOM OF FIXTURE.
 - 11 CENTER EXTERIOR FIXTURE ON COLUMN AT 6'-8" A.F.F. TO BOTTOM OF FIXTURE. REFER TO ARCHITECTURAL DRAWINGS. VERIFY EXACT MOUNTING HEIGHT WITH OWNER PRIOR TO REUGH-IN.
 - 12 LOCATION OF DISCONNECTS ON EXTERIOR WALL OF BUILDING. MOUNTING HEIGHT TO COMPLY WITH LOCAL CODES & ELECTRICAL COMPANY REQUIREMENTS.
 - 13 DENOTES EXTERIOR LIGHTING SWITCHES (INCLUDES BUILDING SIGN AND MONUMENT SIGN LIGHTING) FOR QUANTITY OF SWITCHES AND WIRING DIAGRAM, REF: 2/E4.01.
 - 14 MOUNT TYPE M FLUORESCENT HIGH BAY LIGHTING FIXTURES FLUSH TO CEILING. PIN FIXTURES TIGHT TO STRUCTURE TO AVOID VIBRATION DUE TO AIRFLOW FROM RADIANT HEATERS.
 - 15 REFER TO DETAIL 3/E-2.01 FOR TYPE B AND TYPE R FLUORESCENT STRIP LIGHTING FIXTURE MOUNTING.
 - 16 WIRE LIGHTING IN TECHNICIAN AREA ROOM 108 SO THAT TYPE B AND M LIGHTING FIXTURES ARE CONTROLLED PER LIGHTING CONTROL DIAGRAM 2/E-4.01 AND LOCAL SWITCHES.

- GENERAL NOTES:**
- A. REFER TO SHEET E-1.01 FOR GENERAL NOTES AND SYMBOLS THAT SHALL APPLY TO ALL SHEETS IN THIS SET UNLESS NOTED OTHERWISE IN THE KEY NOTES.
 - B. LIGHTING PLACEMENTS ARE SHOWN FOR DESIGN PURPOSES ONLY. VERIFY EXACT FIXTURE LOCATIONS WITH ARCHITECT.
 - C. COORDINATE PLACEMENT OF FIXTURES WITH ACTUAL INSTALLATION OF MECHANICAL EQUIPMENT AND DUCTWORK.
 - D. VERIFY FIXTURE FINISH AND COLOR WITH ARCHITECT PRIOR TO FIXTURE ORDER AND SUBMITTAL.
 - E. ELECTRICAL CONTRACTOR SHALL FURNISH, INSTALL, AND WIRE ALL EXIT SIGNS. VERIFY EMERGENCY LIGHT PLACEMENT WITH ARCHITECT IN FIELD. FIXTURES SHALL HAVE PROPER UL LISTING FOR THEIR LOCATION.
 - F. ALL CONDUIT SHALL BE 3/4" EMT, UNO.
 - G. ALL CONDUCTORS SHALL BE MINIMUM #12 THHN/THWN COPPER UNO.
 - H. ALL EXTERIOR HOMERUNS SHALL HAVE A MINIMUM CONDUCTOR SIZE OF #10 AWG.
 - I. ALL MULTI-WIRE CIRCUITS SHALL HAVE A MINIMUM NEUTRAL SIZE OF #10 AWG.
 - J. ALL UNDERGROUND PVC CONDUITS ENTERING OR LEAVING THE BUILDING SHALL BE FITTED WITH MOISTURE RESISTANT SEALS AT ALL EXTERIOR WALL PENETRATIONS. PROVIDE EXPANSION FITTINGS TO ALL CONDUITS AS NECESSARY.
 - K. THESE DRAWINGS ARE INTENDED TO BE COMPLETE AT THE TIME OF ISSUE, BUT WILL NOT REFLECT ANY NEW EQUIPMENT OR LIGHTS THAT MAY BE MOVED, ADDED, OR SUBSTITUTED AFTER THE ISSUE DATE. PROVIDE ALL NECESSARY BREAKERS, WIRING, CONDUITS, RECEPTACLES, JUNCTION BOXES, SWITCHES, ETC. FOR EQUIPMENT AND LIGHTS NOT SHOWN ON PLANS OR FOR EQUIPMENT AND LIGHTS THAT HAVE BEEN MOVED, SUBSTITUTED, OR ALTERED. VERIFY ALL ELECTRICAL REQUIREMENTS OF NEW OR ALTERNATE EQUIPMENT AND LIGHTS WITH MANUFACTURER, CONTACT ELECTRICAL ENGINEER IF ANY DISCREPANCIES ARISE.

LIGHTING FIXTURE SCHEDULE										
SYMBOL	FIXTURE ID	FIXTURE TYPE	MOUNTING	LAMP TYPE	WATTS	VOLTAGE	FIXTURE DESCRIPTION	MANUFACTURER	ORDALD NUMBER	NOTES
A1	4" WWP	SURFACE		LED1518-L48-T-841-BUB-05	30W	120/277V	2 LAMP, 4" HOUSING DIE FORMED, CODE SAUCE, PRISM COLD ROLLED STEEL WITH WOOD GRAIN FULL THICKNESS VISION ACRYLIC PRISMATIC LENS	METALUX	WS-232A-UNV-05-0HEK327858C	4" LOW PROFILE WWP-ROUND FIXTURE WITH ACRYLIC PRISMATIC DIFFUSER, LENSAL-SIDES AND 20 SW IN ELECTRONIC BALLAST
B	8" TANGHE INDUSTRIAL	STRIP		LED-1518-L48-T-841-BUB-05	80.2W	120/277V	(4) LAMP 8" INDUSTRIAL COLD ROLLED STEEL HOUSING BRUSH WHITE FINISH, PRISM REFLECTOR DIE FORMED PRISMATIC COLE GRASS BRUSHED WHITE ENAMEL, 13-1/2" WITH WIRESLAND	METALUX	8TDC-232-05-0HEK327858-SC-WO	8" TANGHE STRIP FIXTURE WITH REFLECTOR AND WIRESLAND SUSPENDED FIXTURE VIA FIXED STRIP (SEE DETAIL 10/E-401). (2) 8" x 4" REFLECTORS (R0-87-887L AND R0-4) WIRESLAND (R0-21-471-U)
C	8" RECESSED CW	RECESSED		(1) LED MODULE	14.2W	120/277V	8" APERTURE, NEW CENTER, IC ASB-TITE, 8" x 8" LED DOWNLIGHT, 800 LUMENS, 3000K, 3000K WITH MICRO-STEP BACK BATTLE ALUM	HALO	175004T-ML4000840-8838S	DOWNLIGHT WITH BLACK BATTLE WITH ELECTRONIC BALLAST, MOUNTED AT 7'-8" AFF
D1	4" WALL FIXTURE	WALL		LED1518-L48-T-841-BUB-05	30W	120/277V	(2) LAMP LENS HOUSING, PRISMATIC GRASS ALUM HOUSING WITH BRUSHED FINISH WITH WALKUP STRIP FRONT AND ENDS, LENSED	METALUX	8W-232-UNV-05-0HEK327858-SC	4" DIRECT / INDIRECT WALL BRACKET WITH ELECTRONIC BALLAST, MOUNTED AT 7'-8" AFF
D2	(2) WALL FIXTURE	SURFACE		(2) LED1518-L48-T-841-BUB-05	(2) 30W	120V	BRUSHED INOXL (2) LIGHT, GLASS	SENGALL	44318-900	2" (2) LIGHT WALL / BRN LED FIXTURE, MOUNTED AT 7'-8" AFF
EM	(2) HENGELED EMERGENCY	SURFACE		LED	1.60W	120/277V	INJECTION MOLDED WHITE HOUSING (2) HENGELED LED EMERGENCY	SURELITE	APFL	ETHERNAPLATE, EMERGENCY LIGHTING UNIT WITH 90 MINUTE BATTERY BACKUP
F	EXTERIOR WALL PACK	SURFACE		LED	81W	120/277V	HEAVY DUTY WALL BE CAST ALUM HOUSING, LED, BLACK FINISH	MOORE-EDISON	8W-A7800-LTD-E1-8L-8K	METAL HALIDE EXTERIOR WALL SODICE, FORWARD THRU DISTRIBUTION, PROBE SHALL SET-OFF VISION, CLEAR TEMPERED GLASS LENS AND BLACK PANEL MOUNT BOTTOM OF FIXTURE AT 10'-0" AFF
G	DECORATIVE SODICE	SURFACE		(1) LED1518-L48-T-841-BUB-05	30W	120V	(1) LAMP 20" X 10" DECORATIVE WALL SODICE	STERNBERG	1W-E20LED-19K32575-NDL3/7A/3000K/8K	WALL MOUNTED, COLORED, STYLE COORDINATE LIGHT, WALL FINISH, MOUNT 4'-8" TO 6'-8" AFF
H	DECORATIVE PENDANT	SURFACE		(2) LED1518-L48-T-841-BUB-05	(2) 30W	120V	(2) LIGHT PENDANT, BRUSHED STAINLESS FINISH WITH PINK WHITE GLASS	SENGALL	88133-98	SPECIAL LIGHT FIXTURE, SEM-FLUSH, CEILING FIXTURE WITH SOFT WHITE GLASS, 18-3/8" W X 12-1/2" H, OR OTHER APPROVED EQUAL, PENDANT MOUNTED DECORATIVE FIXTURE
K	JELLY JAR	SURFACE		(1) LED1518-L48-T-841-BUB-05	30W	120V	SEE DETAIL ALUM, GLASS COVER, GHOSTED JELLY JAR	RWB	VX10000	NON-HEAT, COMPACT FLUORESCENT BOTTLE FIXTURE, GLASS GLOBE, WIREGUARD IN ATTIC SPACE
L	RECESSED CW	RECESSED		LED	80W	120/277V	8" LED RECESSED CW, EXTERIOR RATED GARBETO, 4000K	PORT	LED840-1-0010TE-PR840-840-841-11-LE80T8-POS-1820	RECESSED COMPACT FLUORESCENT FIXTURE BOTTLE FIXTURE, IF APPLICABLE, CALIBERED FOR SHAP LOCATION, CLEAR PRISMATIC LENS
M	2" X 4" HIGHWAY	FLUSH CEILING AS NOTED		LED	30.2W	120/277V	FULL BODIED STEEL HOUSING, 24000 LUMENS, LED	METALUX	H8LD-LD4-24-W-UNV-L840-C02-U	HIGHWAY INDUSTRIAL FLUORESCENT FIXTURE FLUSH TO CEILING, LIGHTING TIGHT TO STRUCTURE
P	LED TAPE	SURFACE		LED	3.2W / FT	120V	LED TAP LIGHT WITH WIRESLAND TRACK, TYP LLAFT	TPE	TPE-FL-CM64-D-0-4000-4T-4T-110	MOUNTED UNDER FRONT COUNTER WITH DRINKABLE LED DRIVER
R	4" STRIP	SURFACE / WALL		LED1518-L48-T-841-BUB-05	30W	120/277V	(4) LAMP 4" COLD ROLLED STEEL HOUSING, BRUSH ENAMEL, FINISH, STRIP FIXTURE, FLIP SOCKETS, 3" LED BOLLARD	METALUX	58-232-UNV-05-0HEK327858C-WG-U	4" STRIP FIXTURE WITH WIRESLAND PRO-58-471-U ELECTRONIC BALLAST
S	BOLLARD	SURFACE		LED	27.2W	120/277V	3" LED BOLLARD	TRANCE LITE	LED-8-24-DT-8L	
X	EXIT / EM COMBO	WALL / CEILING		LED	2.2W	120/277V	INJECTION MOLDED LED EXIT COMBO, REMOTE CHARGEBLE, MAINTENANCE FRIENDLY BATTERY	EXTRONICS	VELDUMEL80028	COMBINATION EXIT SIGN / EMERGENCY LIGHT WITH RED LETTERS, WIRESLAND, AND WHITE HOUSING WITH 90 MINUTE BATTERY BACKUP
YR	REMOTE EM	WALL / CEILING		LED	1.1W	12V	SMALL LAMP WIRESLANDPROOF SINGLE EXTERIOR REMOTE EXIT, BLACK	EXTRONICS	CJ00289PK	REMOTE TO BE PLACED AT EACH EXTERIOR SOCIAL EXTERIOR TYP. INDOOR TYPE 'X' ON THE INTERIOR

Edifica | case
engineering

750 Means Court
St. Louis, MO 63107
T 636.349.1600
F 636.349.1750
edificacase.com

mechanical
electrical
plumbing
fire protection
structural

CERTIFICATE OF AUTHORITY NO. FE0906438

STEWART + REINHERM
ARCHITECTURE, PLLC

5450 E. High Street, Suite 200
Phoenix, Arizona
P: 480.315.5125
www.sra360.com

**Christian Brothers
Automotive**

5650 Peachtree Industrial Boulevard
Norcross, GA 30071

Christian Brothers
Automotive

1775 Lay Ferry, St. 200
Houston, TX 77061

GEORGIA
No. 23411
PROFESSIONAL ENGINEER
Charles R. Dill
10/19/2018
Date

Revisions

2/26/18 - Prototype Update

Project No. 18-042

Drawn By:

Date: 10/19/18

Sheet Title:

LTG PLAN &
DIM

Drawing No.

E-2.01

LH9N-09-2018