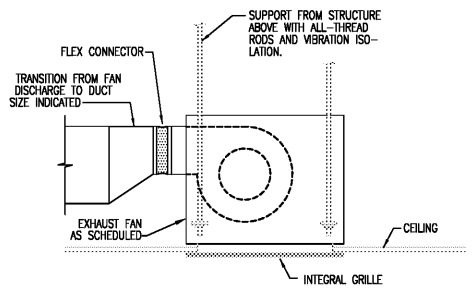
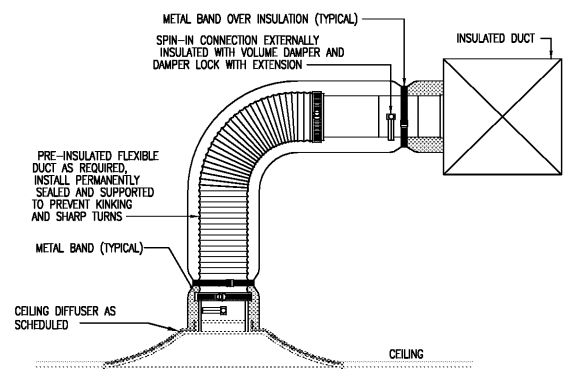


NOTE:
1. THIS CONNECTION SHALL BE TYPICAL FOR ALL RECTANGULAR BRANCH DUCT CONNECTIONS TO RECTANGULAR TRUNK DUCTS, INCLUDING SUPPLY, RETURN, OUTSIDE AIR AND EXHAUST DUCTS.

1 RECTANGULAR BRANCH TAP DETAIL
NO SCALE

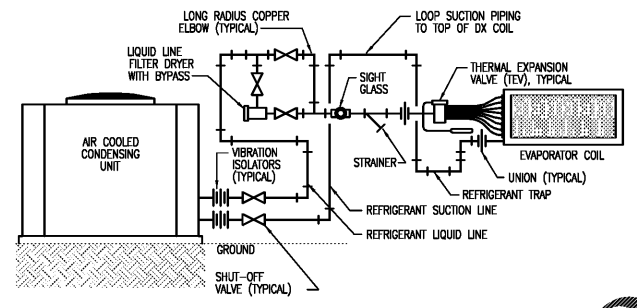


2 CEILING MOUNTED CABINET EXHAUST FAN DETAIL
NO SCALE



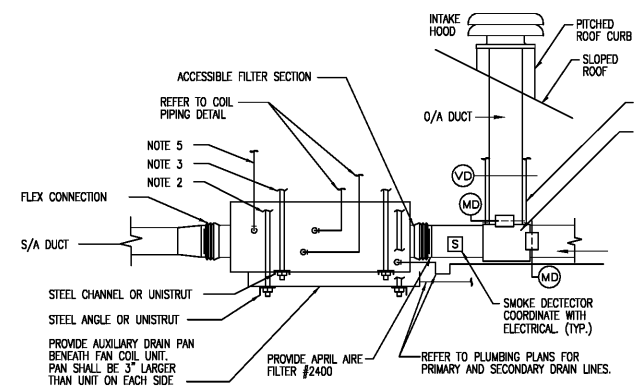
NOTES:
EXTEND HARD METAL DUCT SO THAT MAXIMUM FLEXIBLE DUCT LENGTH DOES NOT EXCEED 5'-0\"/>

3 LAY-IN TYPE CEILING DIFFUSER DETAIL
NO SCALE



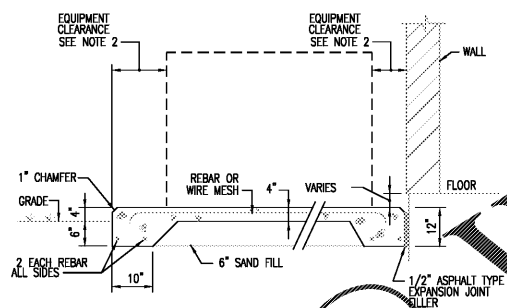
NOTES:
1. SUCTION LINE TRAP TO BE EXTENDED ABOVE EVAPORATOR COIL.
2. CONTRACTOR TO VERIFY PIPE SIZES REQUIRED WITH EQUIPMENT SUPPLIER.
3. PITCH SUCTION LINE TOWARDS CONDENSING UNIT.
4. SIGHT GLASS TO BE FULL LINE SIZE AND INSTALLED IN THE MAIN LIQUID LINE.
5. LOCATE TEV BULB 4\"/>

4 REFRIGERANT PIPING DETAIL WITH COIL ABOVE CONDENSING CIRCUIT
NO SCALE



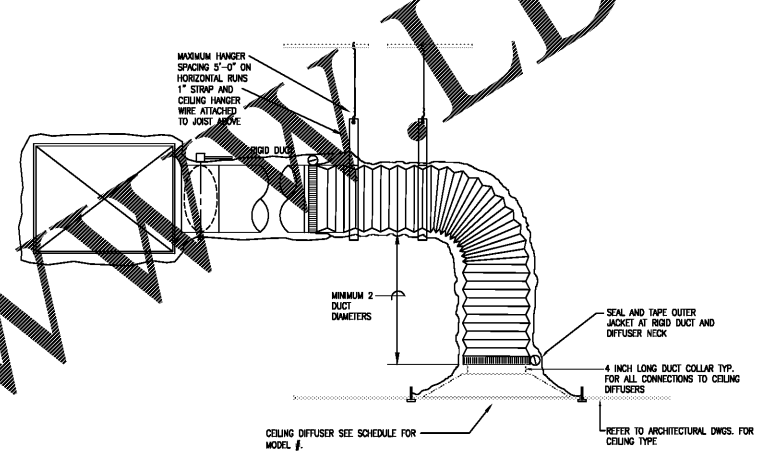
NOTES:
1. PROVIDE MISCELLANEOUS GALVANIZED SUPPORT ANGLE OR CHANNEL AS REQUIRED TO BRIDGE STRUCTURE.
2. SUSPEND DRAIN PAN WITH SUPPORT RODS WHEN ATTACHED TO BUILDING STRUCTURE.
3. ATTACH TO STRUCTURE WITH VIBRATION ISOLATION.
4. GAS PIPING, REF: P3.02

5 AIR HANDLING UNIT MOUNTING
NO SCALE



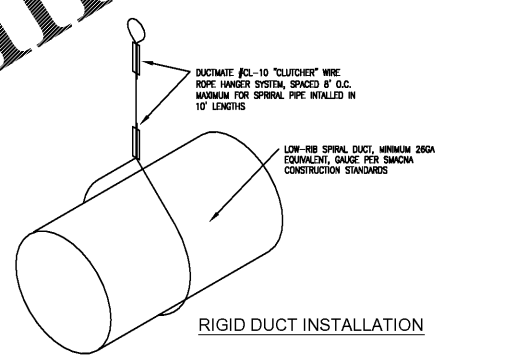
NOTES:
1. SLOPE SLAB A MINIMUM OF 1/2\"/>

6 EXTERIOR EQUIPMENT PAD DETAIL
NO SCALE

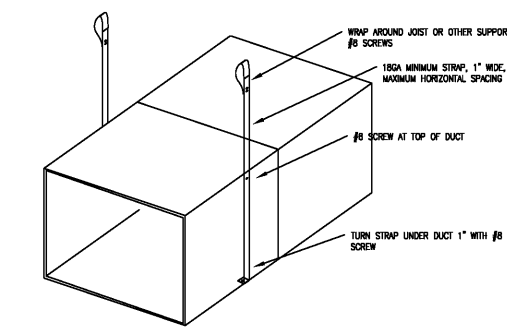


NOTES:
1. SLOPE SLAB A MINIMUM OF 1/2\"/>

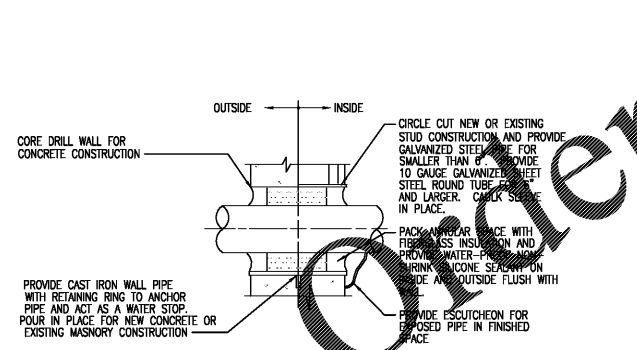
7 DUCT SUPPORT DETAIL
NO SCALE



8 ABOVE GROUND EXTERIOR WALL PENETRATION DETAIL
NO SCALE

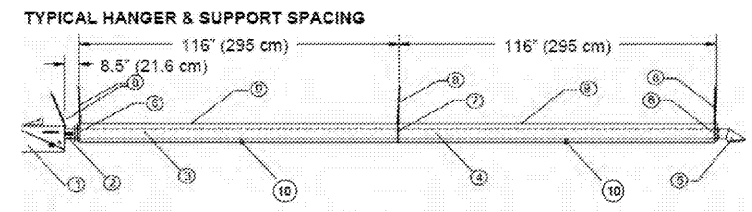


9 REFRIGERANT PIPING SUPPORT ON GROUND
NO SCALE



NOTE:
1. TYPICAL OF ALL ACCESSIBLE ROUND DUCT CONNECTIONS TO RECTANGULAR DUCT.

10 SPIN-IN CONNECTION
NO SCALE



1. Burner Assembly
2. Flange Adapter
3. Flanged Tube
4. Swaged Tube
5. Vent termination (optional: wall or roof)
6. End Plate Hanger
7. Webbed Hanger
8. Hanging Chains
9. Focus Shield Reflector
10. Reflector Stabilizer

11 HEATER DETAIL
NO SCALE