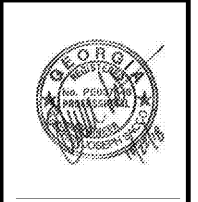
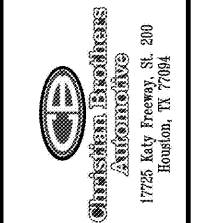


SRA360, LLC
STEWART + REINDERSMA
ARCHITECTURE, PLLC

5450 E. High Street, Suite 200
 Phoenix, Arizona 85054
 P: 480.515.5129
 www.sra360.com

Christian Brothers Automotive
 5650 Peachtree Industrial Boulevard
 Norcross, GA 30071



STEPHEN J. SACCO

Revisions

02/26/18 - Prototype Update

Project No. **KNNG-18**

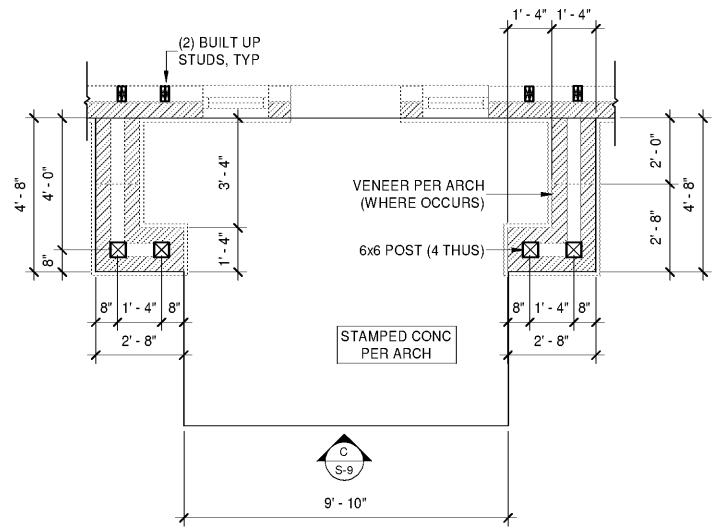
Drawn By: **RH**

Date: **10/19/18**

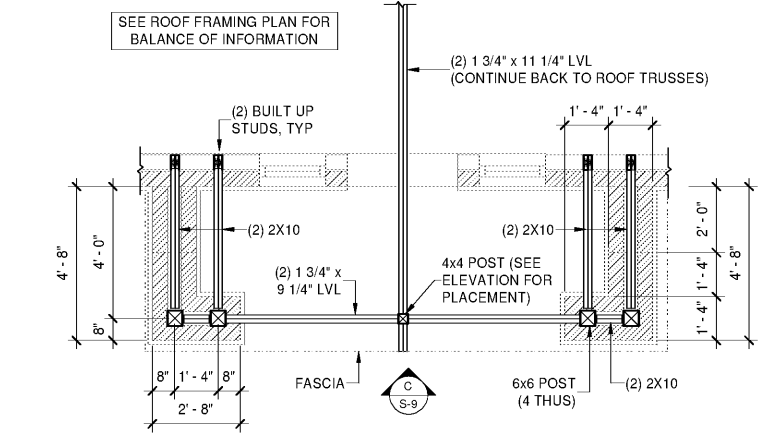
Sheet Title:
FRAMING & ELEVATION AT ENTRANCE

Drawing No.

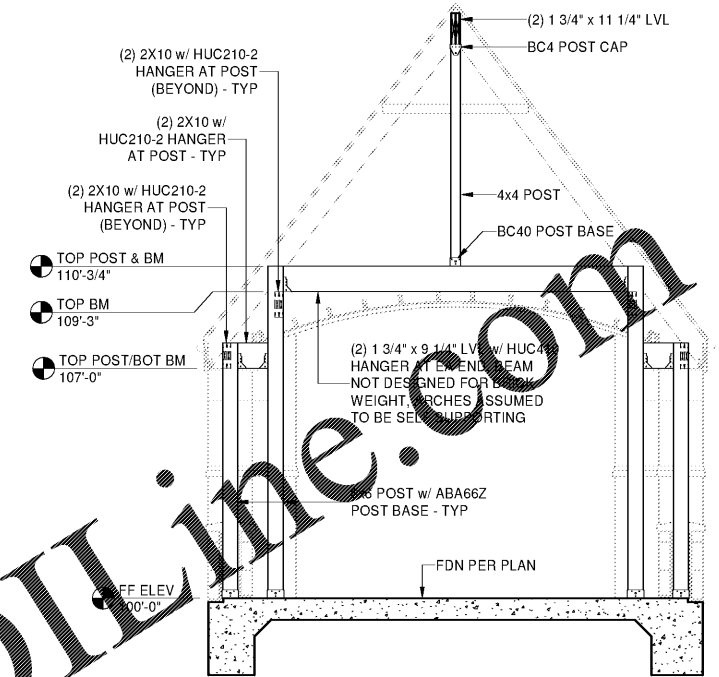
S-9
 LH9N-09-2018



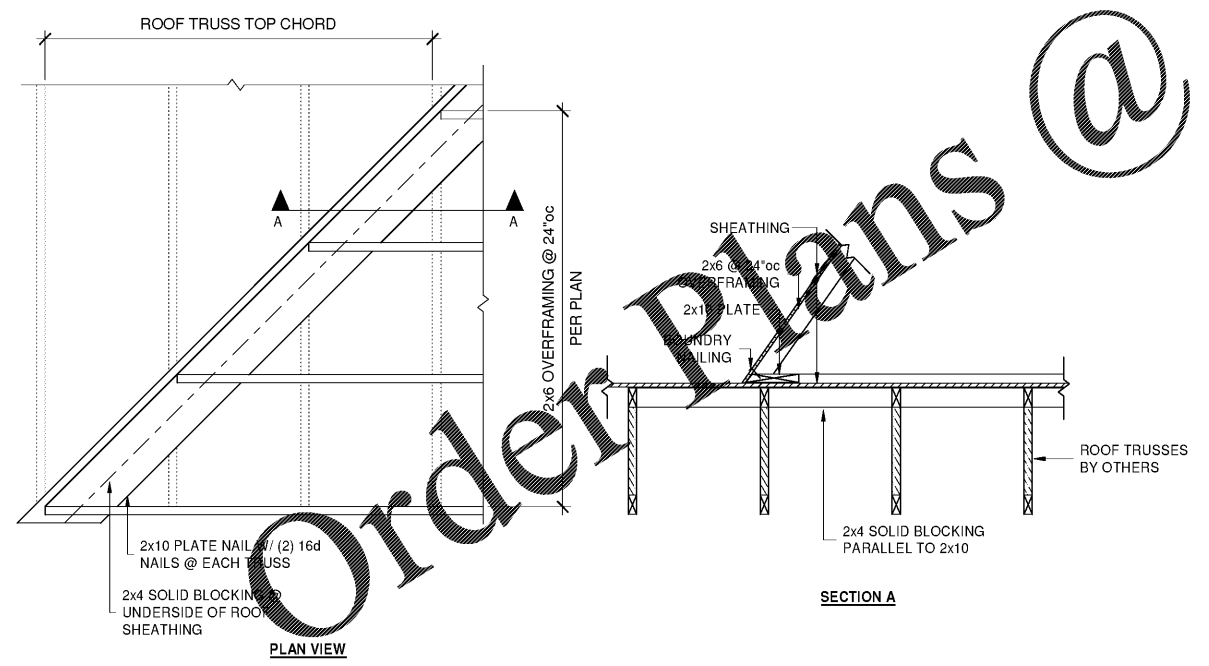
A FRAMING PLAN @ FRONT ENTRY
 S-9 3/8" = 1'-0"



B HIGH FRAMING PLAN @ FRONT ENTRY
 S-9 3/8" = 1'-0"



C FRAMING ELEVATION @ ENTRY
 S-9 3/8" = 1'-0"



D OVERFRAMING @ ENTRANCE
 S-9 3/4" = 1'-0"

Order Plans @ www.LDOnline.com

