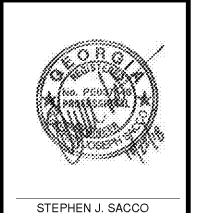
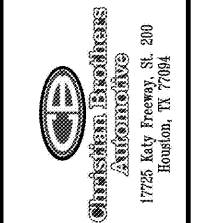


SRA360, LLC
 STEWART + REINDERSMA
 ARCHITECTURE, PLLC

5450 E. High Street, Suite 200
 Phoenix, Arizona 85054
 P: 480.515.5123
 www.sra360.com

Christian Brothers Automotive
 Peachtree Industrial Boulevard
 Norcross, GA 30071



STEPHEN J. SACCO

Revisions

02/26/18 - Prototype Update

Project No. KNNG-18

Drawn By: RH

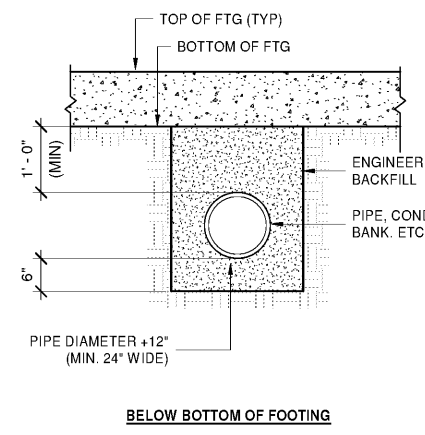
Date: 10/19/18

Sheet Title:

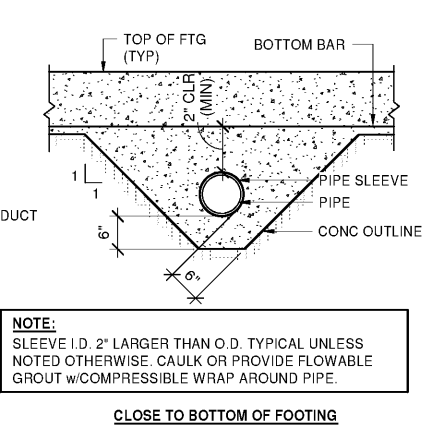
TYPICAL DETAILS

Drawing No.

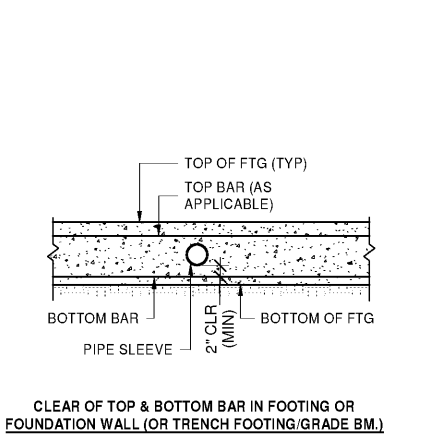
S-3
 LH9N-09-2018



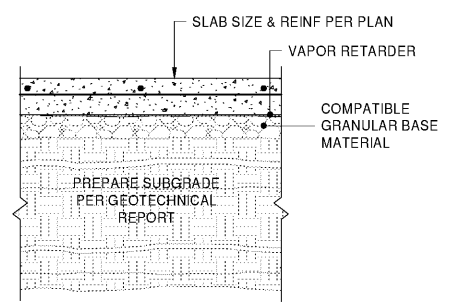
A TYP FND PIPE PENETRATION
 S-3 N.T.S.



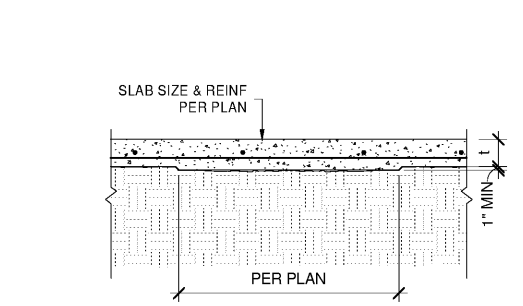
B TYPICAL CONTROL JOINT DETAIL
 S-3 N.T.S.



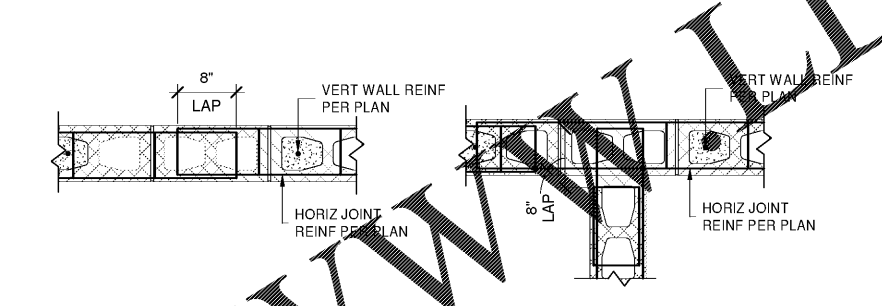
C REIN @ INTERIOR CORNERS
 S-3 N.T.S.



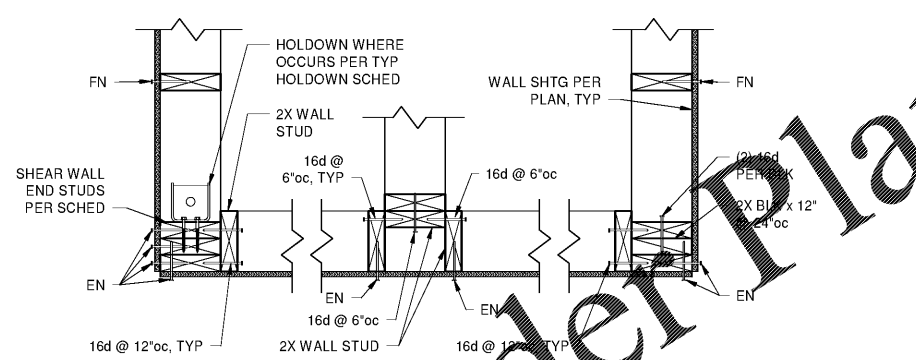
D TYP SLAB SUBGRADE SECTION
 S-3 N.T.S.



E TYP THICKENED SLAB
 S-3 N.T.S.



F TYP HORIZ JOINT REINFORCEMENT (PLAN VIEW)
 S-3 N.T.S.



G TYPICAL CORNERS AND INTERSECTIONS DETAIL SHEARWALL NAILING DETAIL
 S-3 N.T.S.

Order Plans @ WWW.LDILine.com

