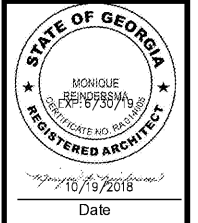


STEWART - REINBERMA ARCHITECTURE, PLLC  
 5450 E. High Street, Suite 200  
 Phoenix, Arizona 85054  
 P: 480.515.5123  
 www.sra360.com

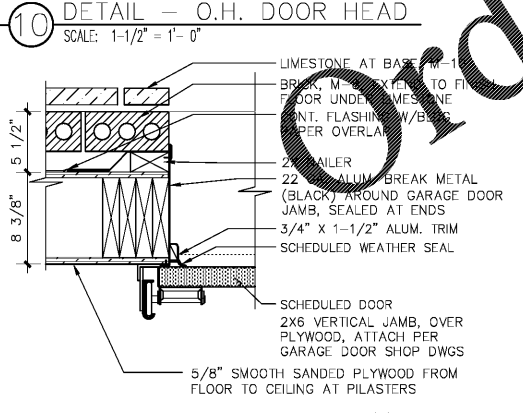
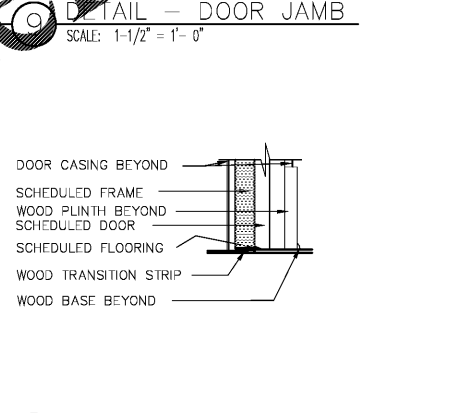
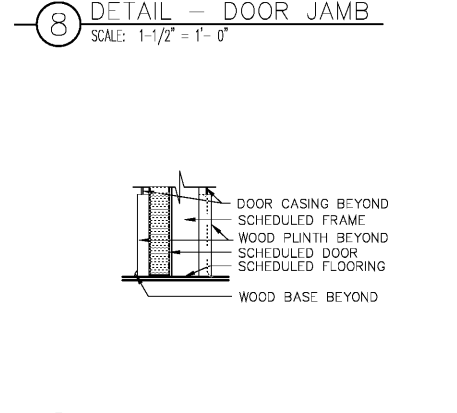
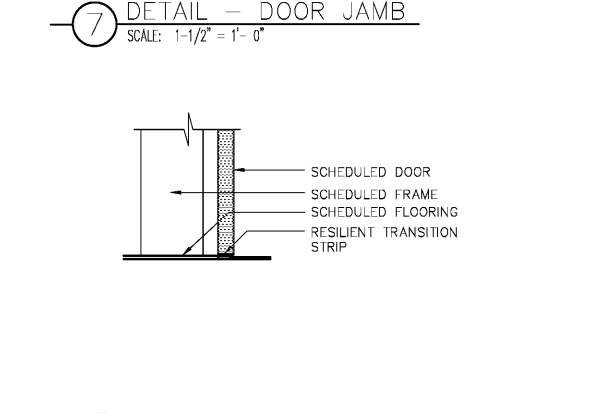
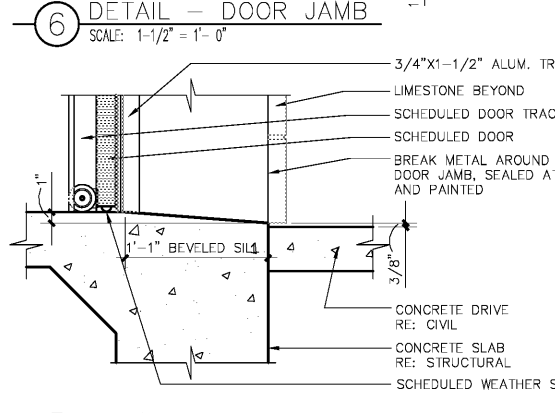
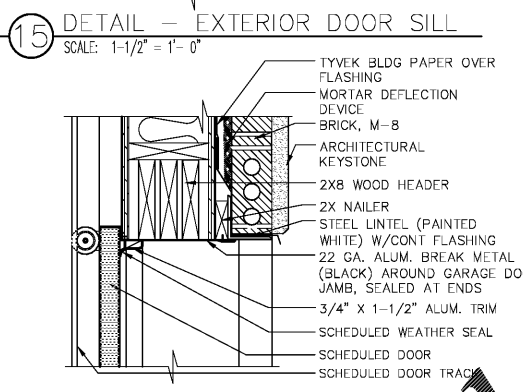
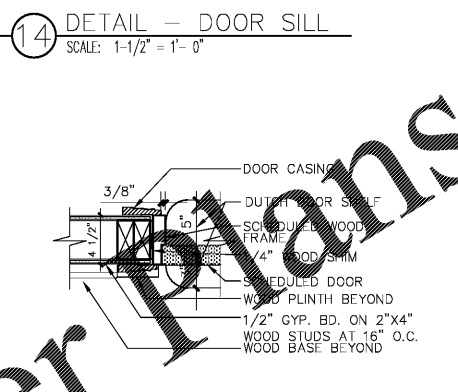
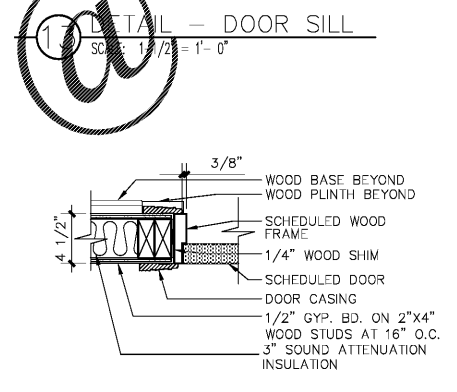
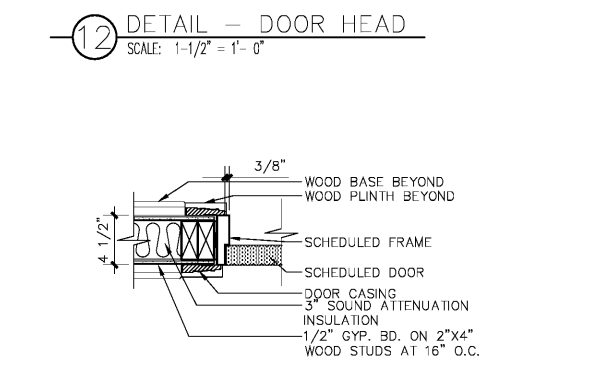
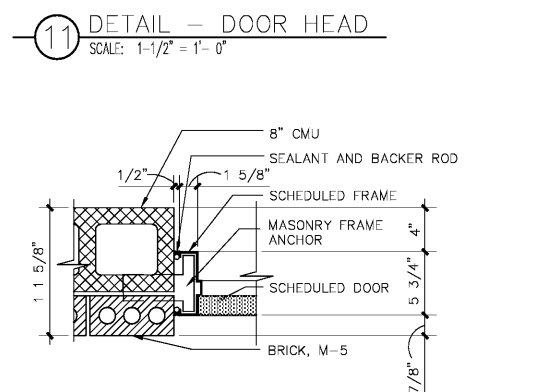
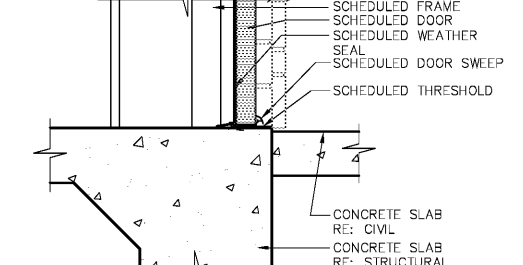
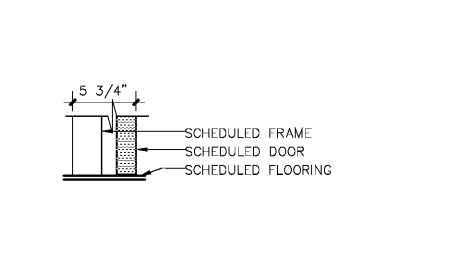
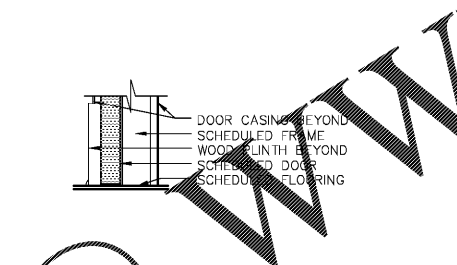
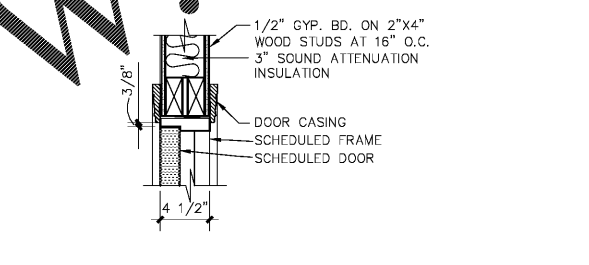
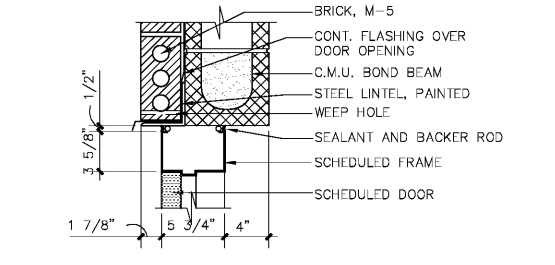
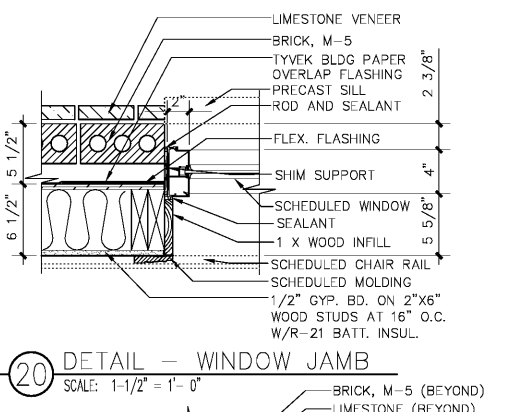
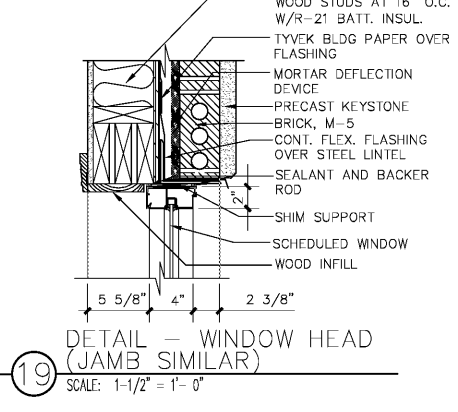
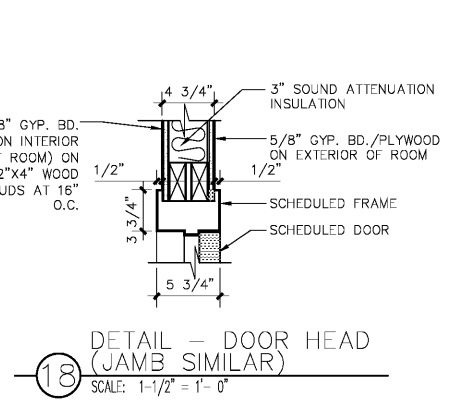
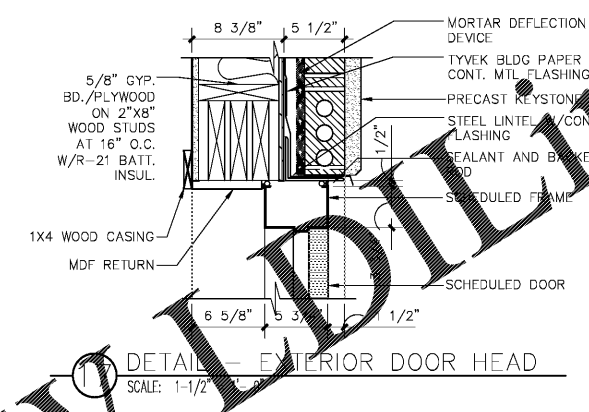
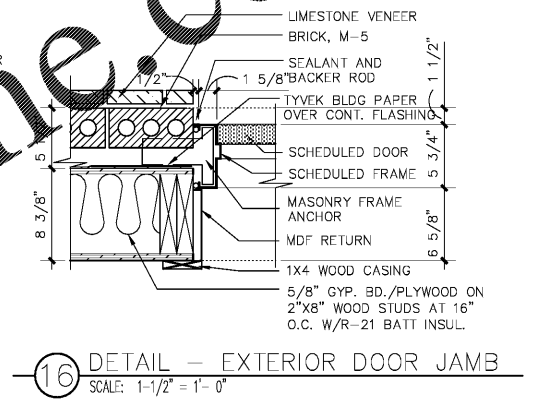
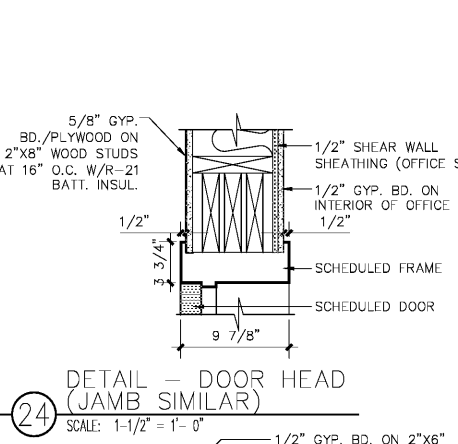
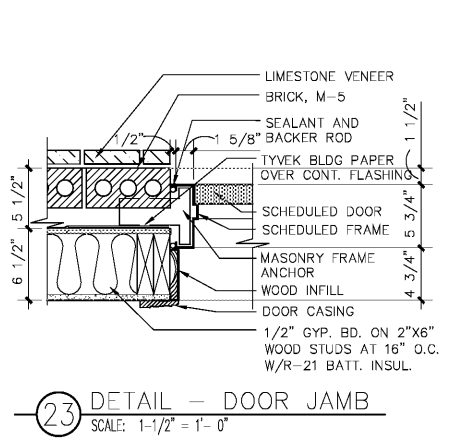
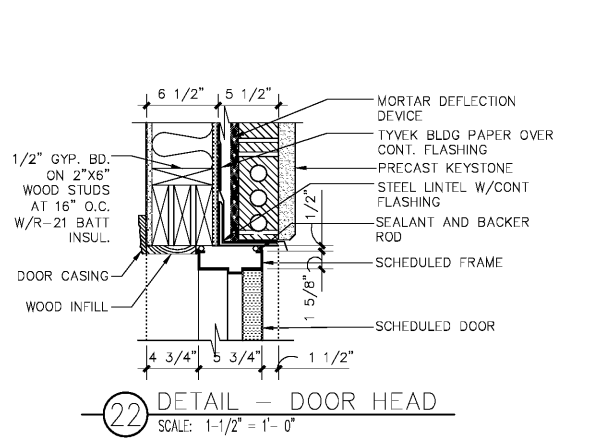
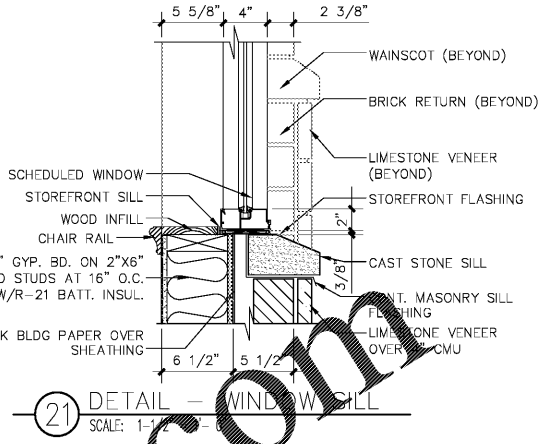
Christian Brothers Automotive  
 5650 Peachtree Industrial Boulevard  
 Norcross, GA 30071



Revisions	
2/26/18 - Prototype Update	

Project No. 18-042  
 Drawn By:  
 Date: 10/19/18  
 Sheet Title:

HEAD, JAMB, AND SILL DETAILS  
 Drawing No. **A-9**  
 LH9N-09-2018



Order Plans

WWW.IDLINE.COM