

360  
STEWART - REINHERMA  
ARCHITECTURE, PLLC  
5450 E. High Street, Suite 200  
Phoenix, Arizona 85054  
P: 480.515.5123  
www.sra360.com

Christian Brothers  
Automotive  
5650 Peachtree Industrial Boulevard  
Norcross, GA 30071



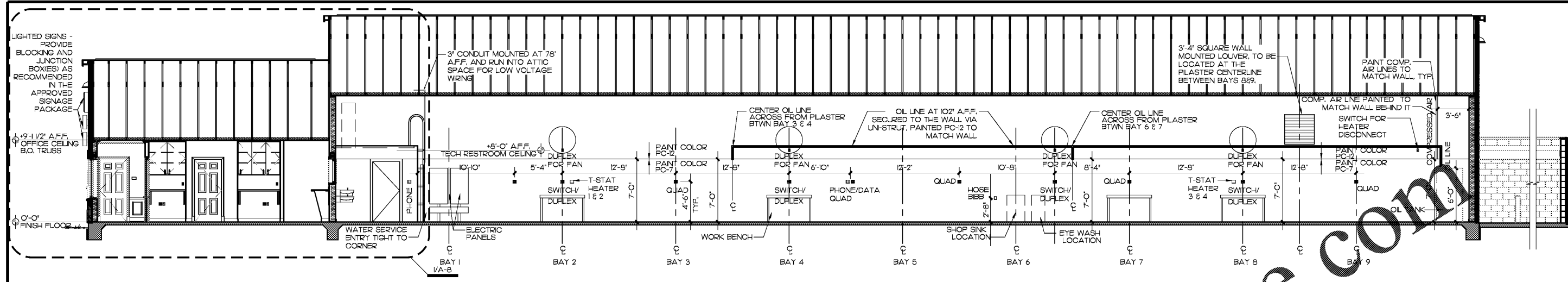
17725 Katy Freeway, St. 200  
Houston, TX 77064  
STATE OF GEORGIA  
EXP. 6/30/18  
MONIQUE REINHERSMA  
REGISTERED ARCHITECT  
12/18/2018  
Date Signed

Revisions  
2/26/18 - Prototype Update  
11/26/18 - City Comments

Project No. 18-042  
Drawn By:  
Date: 12/18/18

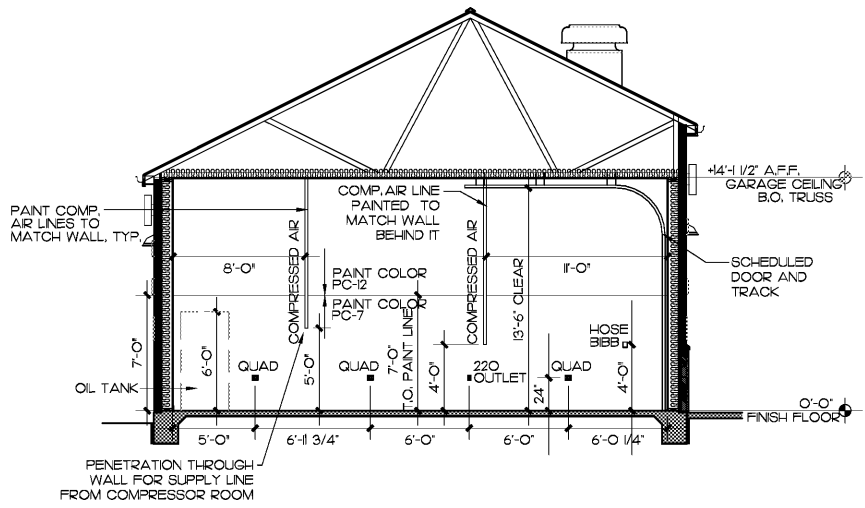
Sheet Title:  
BUILDING SECTIONS  
AND MILLWORK  
Drawing No.

A-8.1  
LH9N-09-2018

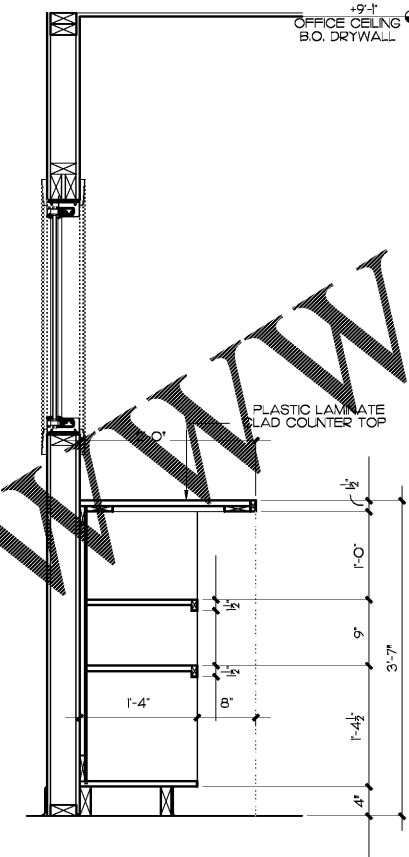


3 LONG SECTION LOOKING TO BACK  
SCALE: 3/16" = 1'-0"

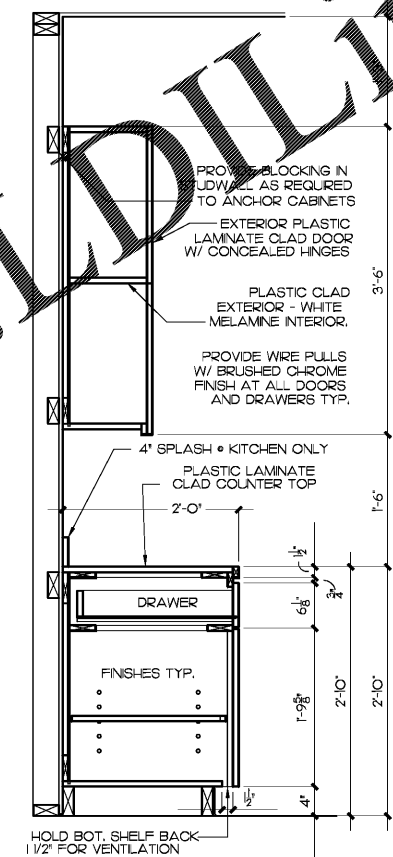
NOTE:  
OL LINE TO BE 5/8" O.D.  
O.O.49 WALL SEAMLESS HYDRALLIC  
TUBE, CODE J524



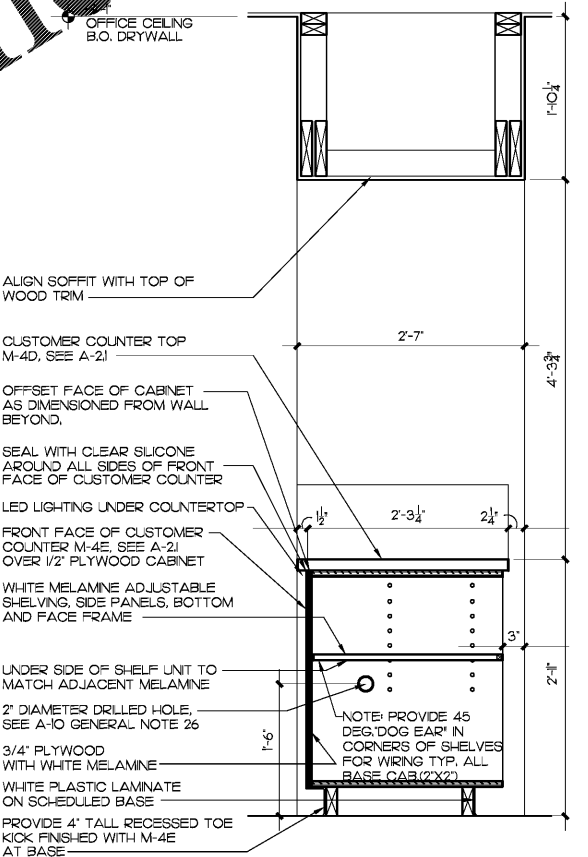
2 CROSS SECTION  
LOOKING TO COMPRESSOR ROOM  
SCALE: 3/16" = 1'-0"



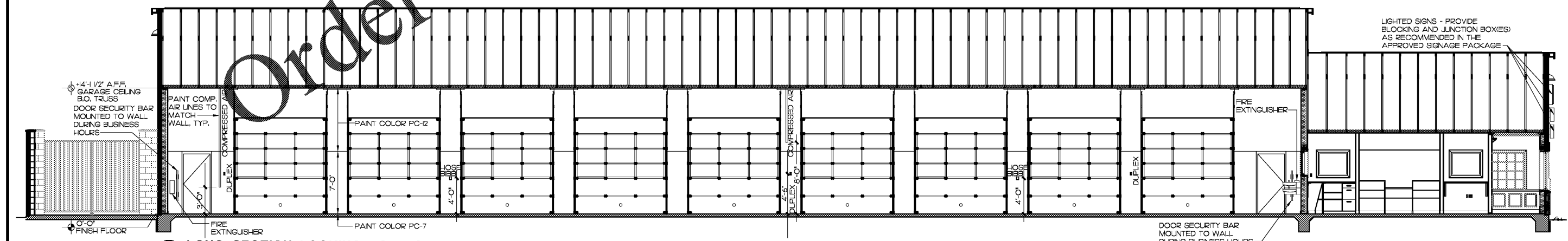
6 CABINET SECTION  
SCALE: 1" = 1'-0"



5 CABINET SECTION  
SCALE: 1" = 1'-0"



4 CABINET SECTION  
SCALE: 1" = 1'-0"



1 LONG SECTION LOOKING TO FRONT  
SCALE: 3/16" = 1'-0"