

STEWART - REINDERBMA  
ARCHITECTURE, PLLC  
5450 E. High Street, Suite 200  
Phoenix, Arizona 85054  
P: 480.515.5123  
www.sra360.com

Christian Brothers  
Automotive  
5650 Peachtree Industrial Boulevard  
Norcross, GA 30071

Christian Brothers  
Automotive  
1725 Katy Freeway, St. 200  
Houston, TX 77094

STATE OF GEORGIA  
EXP. 6/30/18  
MONIQUE REINDERBMA  
REGISTERED ARCHITECT  
12/18/2018  
Date Signed

Revisions

2/26/18 - Prototype Update

11/26/18 - City Comments

Project No. 18-042

Drawn By:

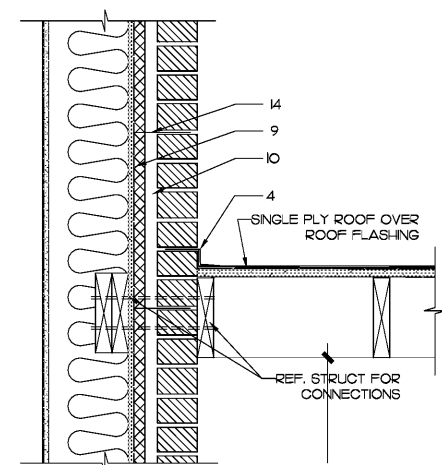
Date: 12/18/18

Sheet Title:

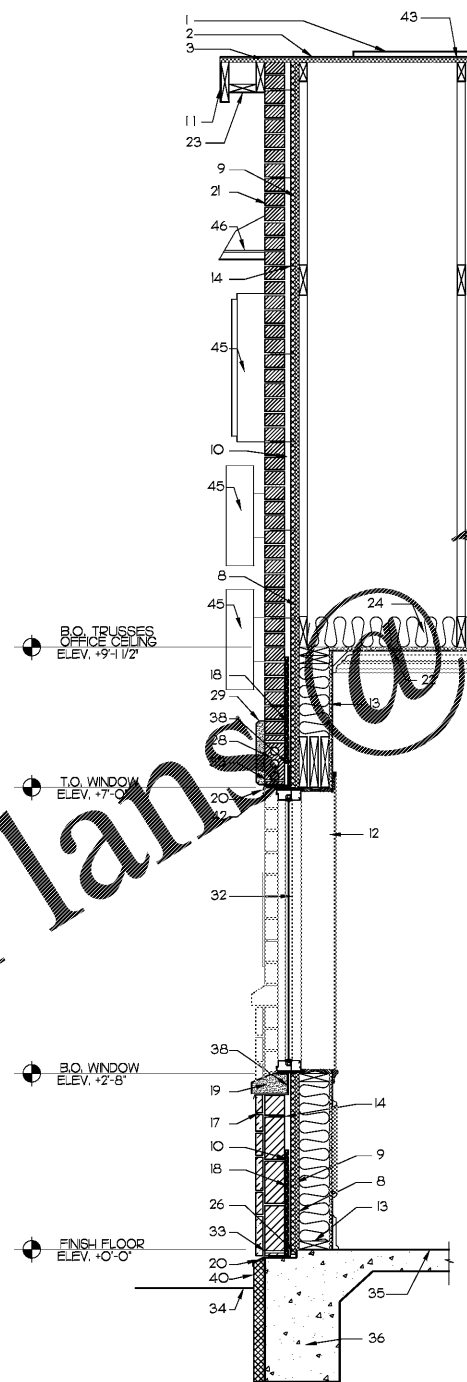
WALL  
SECTIONS

Drawing No.

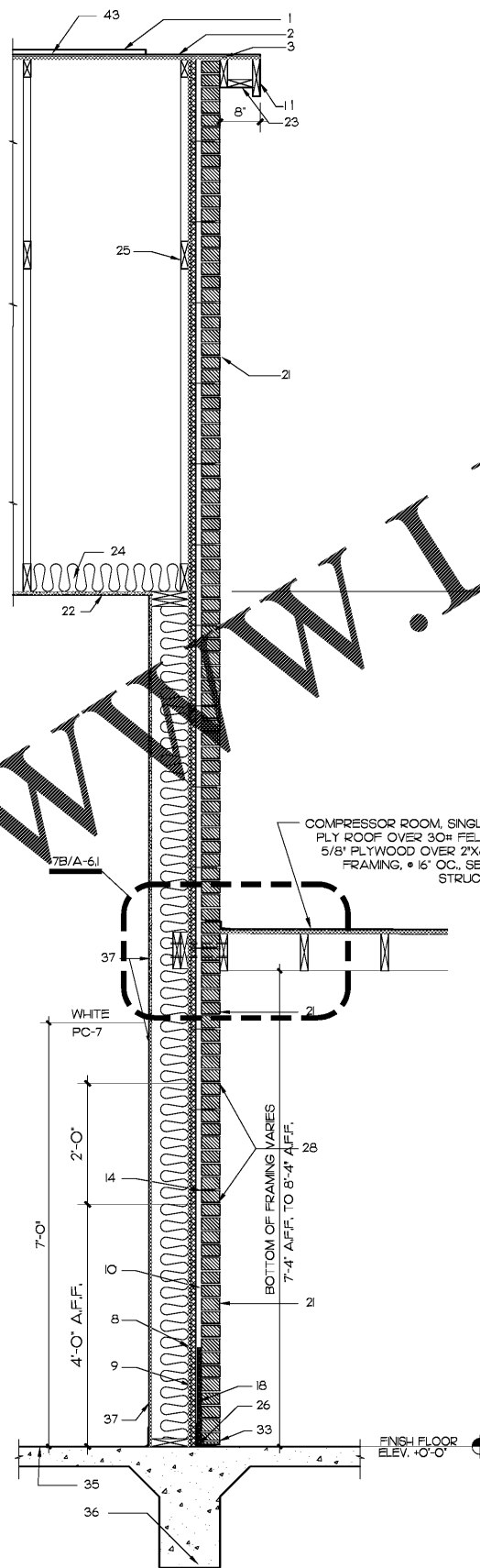
A-6.1  
LH9N-09-2018



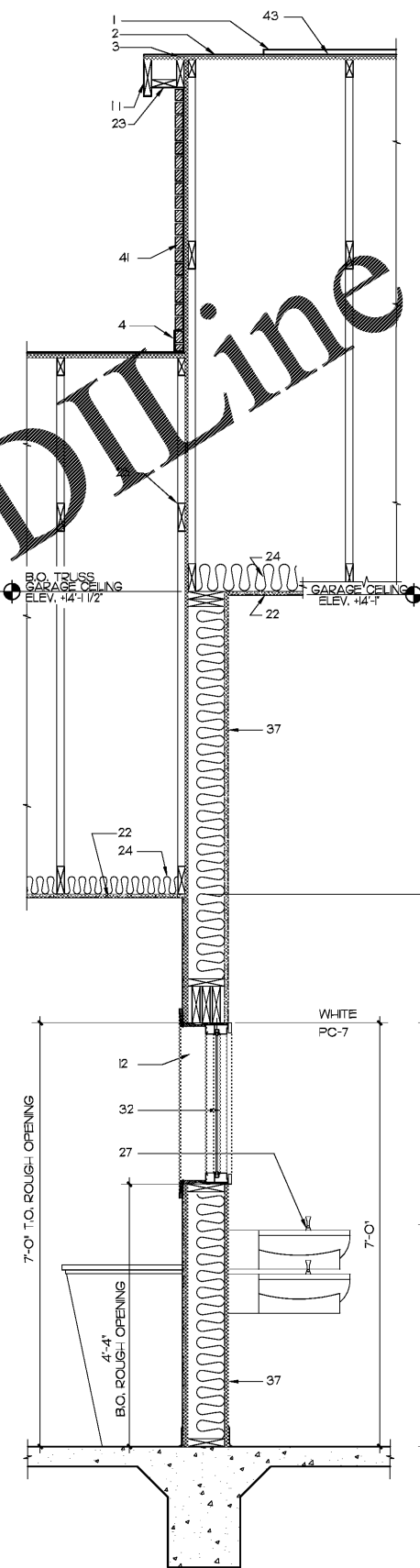
7B WALL SECTION DETAIL  
SCALE: 1/2" = 1'-0"



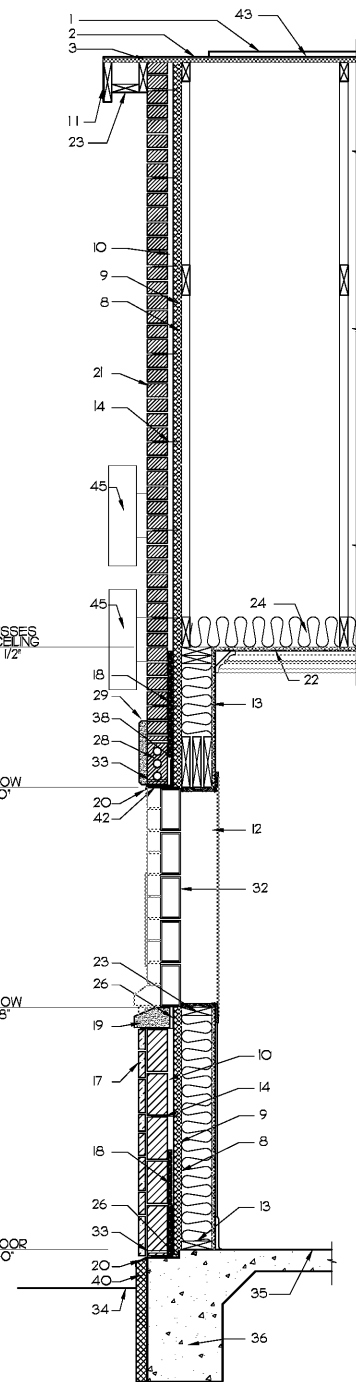
8 WALL SECTION  
SCALE: 3/4" = 1'-0"



7 WALL SECTION  
SCALE: 3/4" = 1'-0"



6 WALL SECTION  
SCALE: 3/4" = 1'-0"



5 WALL SECTION  
SCALE: 3/4" = 1'-0"

Order Plans @

WWW.LDILine.com