



STEWART - REINBERGMA
ARCHITECTURE, PLLC

5450 E. High Street, Suite 200
Phoenix, Arizona 85054
P: 480.515.5123
www.sra360.com

**Christian Brothers
Automotive**

5650 Peachtree Industrial Boulevard
Norcross, GA 30071

**Christian Brothers
Automotive**

17725 Katy Freeway, St. 200
Houston, TX 77064

STATE OF GEORGIA
EXP. 6/30/18
MONIQUE REINBERGMA
REGISTERED ARCHITECT

12/18/2018
Date Signed

Revisions

2/26/18 - Prototype Update

11/26/18 - City Comments

Project No. 18-042
Drawn By:
Date: 12/18/18
Sheet Title:

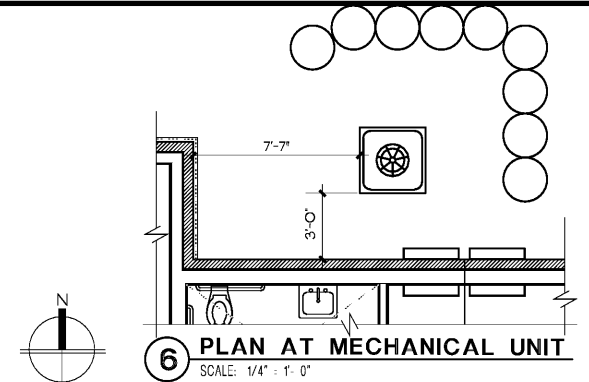
FLOOR & ENLARGED FLOOR PLANS
Drawing No.
A-2
LH9N-09-2018

TYPE	ROUGH OPENING	VISIBLE WINDOW SIZE	HEAD	JAMB	SILL	DESCRIPTION	REMARKS
A	6'-0" WIDE X 4'-4" HIGH	5'-8" WIDE X 4'-0" HIGH	19/A-9	20/A-9	21/A-9	KAWNEER TRIFAB VG 45LT 4-1/2" FIXED CENTER THERMAL ALUMINUM WINDOW W/ INTERNAL MUNTINS	PROVIDE DOUBLE-PANE LOW-E GLAZING - FRAMES AND MUNTINS TO BE BONE WHITE
B	2'-0" WIDE X 4'-4" HIGH	1'-8" WIDE X 4'-0" HIGH	19/A-9	20/A-9	21/A-9	KAWNEER TRIFAB VG 45LT 4-1/2" FIXED CENTER THERMAL ALUMINUM WINDOW W/ INTERNAL MUNTINS	PROVIDE DOUBLE-PANE LOW-E TEMPERED SAFETY GLAZING - FRAMES AND MUNTINS TO BE BONE WHITE
C	3'-4" WIDE X 3'-4" HIGH	3'-4" WIDE X 3'-4" HIGH	5/A-6I	SM TO 20/A-9	5/A-6I	8' X 8' GLASS BLOCK WAVE GLASS PATTERN	
D	5'-0" WIDE X 3'-4" HIGH	4'-8" WIDE X 3'-0" HIGH	6/A-6I	SM TO 6/A-6I	6/A-6I	KAWNEER TRIFAB VG 45LT 4-1/2" FIXED CENTER THERMAL ALUMINUM WINDOW W/ NO MUNTINS	- FRAMES TO BE BONE WHITE
E	3'-4" WIDE X 2'-8" HIGH	3'-0" WIDE X 2'-4" HIGH	6/A-6I	SM TO 6/A-6I	6/A-6I	KAWNEER TRIFAB VG 45LT 4-1/2" FIXED CENTER THERMAL ALUMINUM WINDOW W/ NO MUNTINS	- FRAMES TO BE BONE WHITE

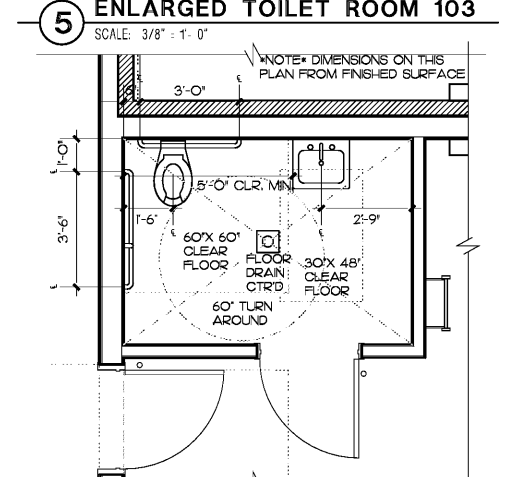
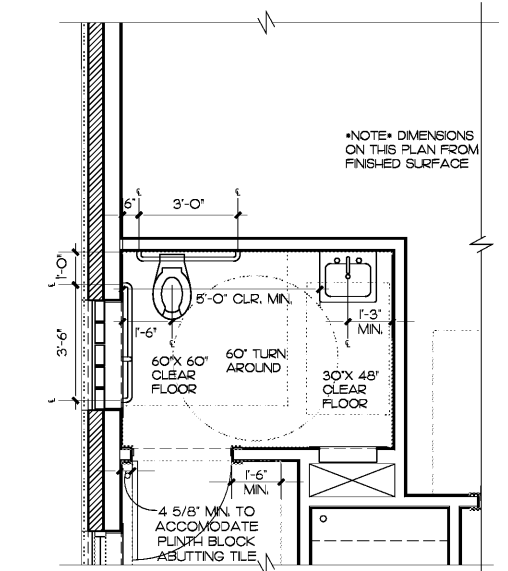
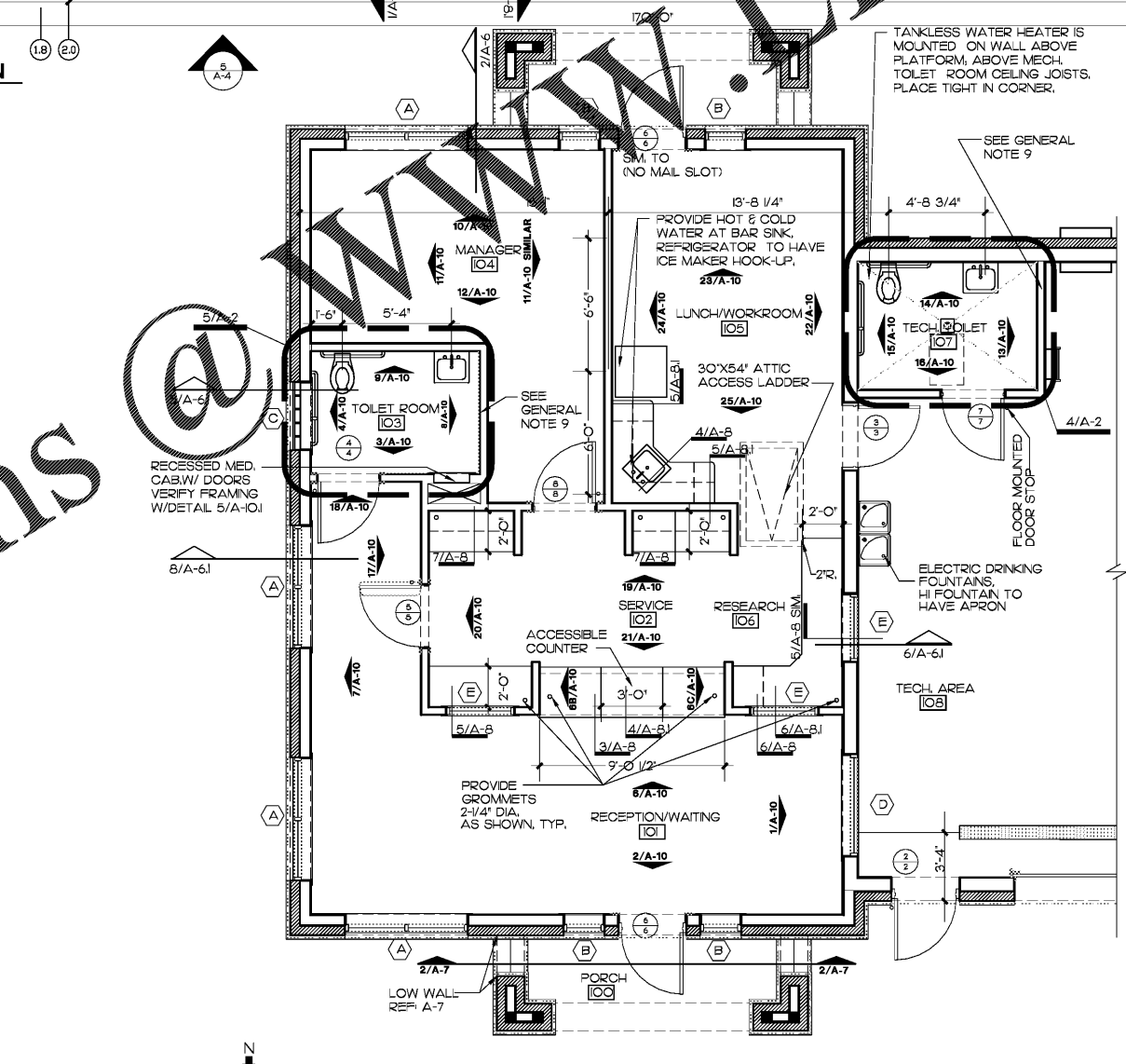
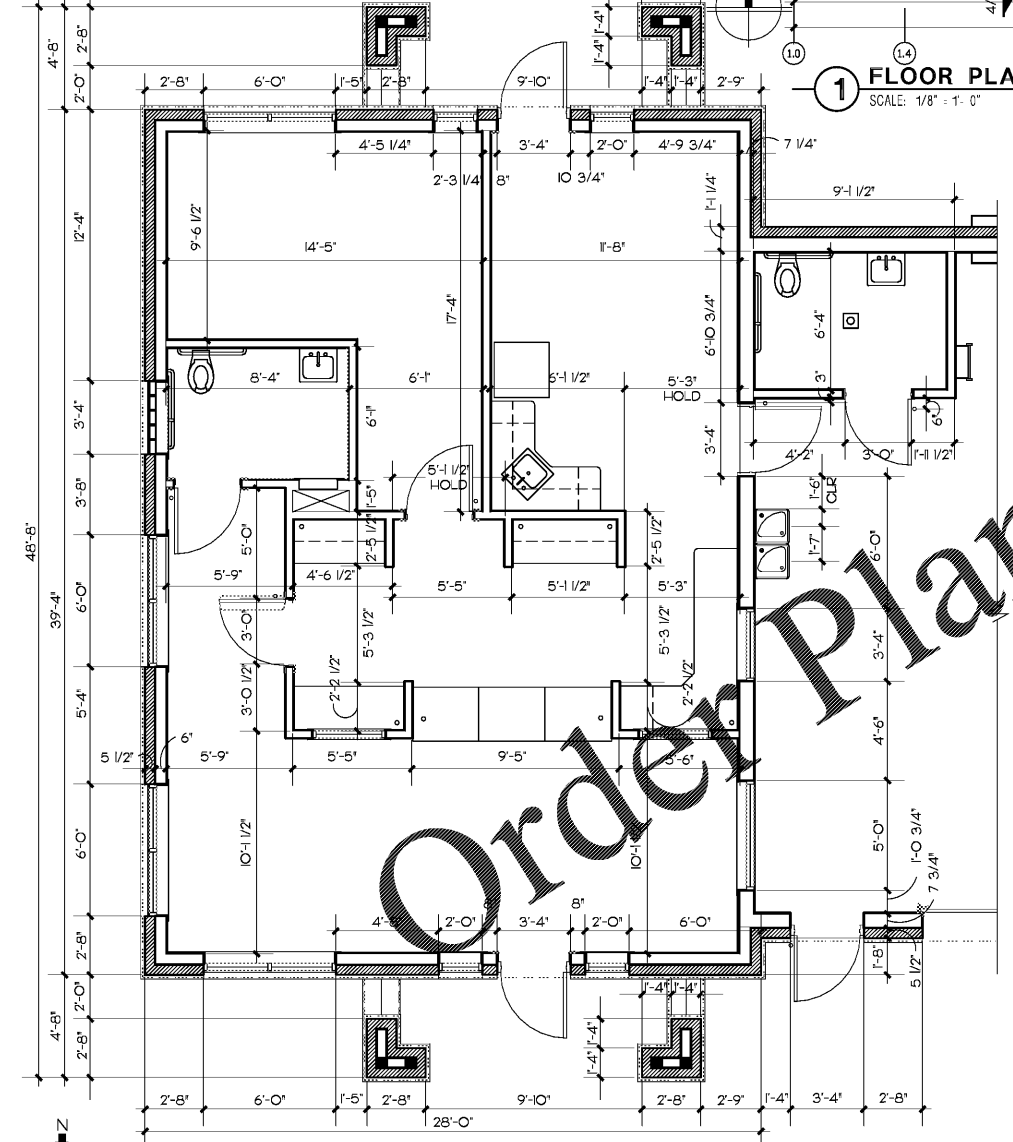
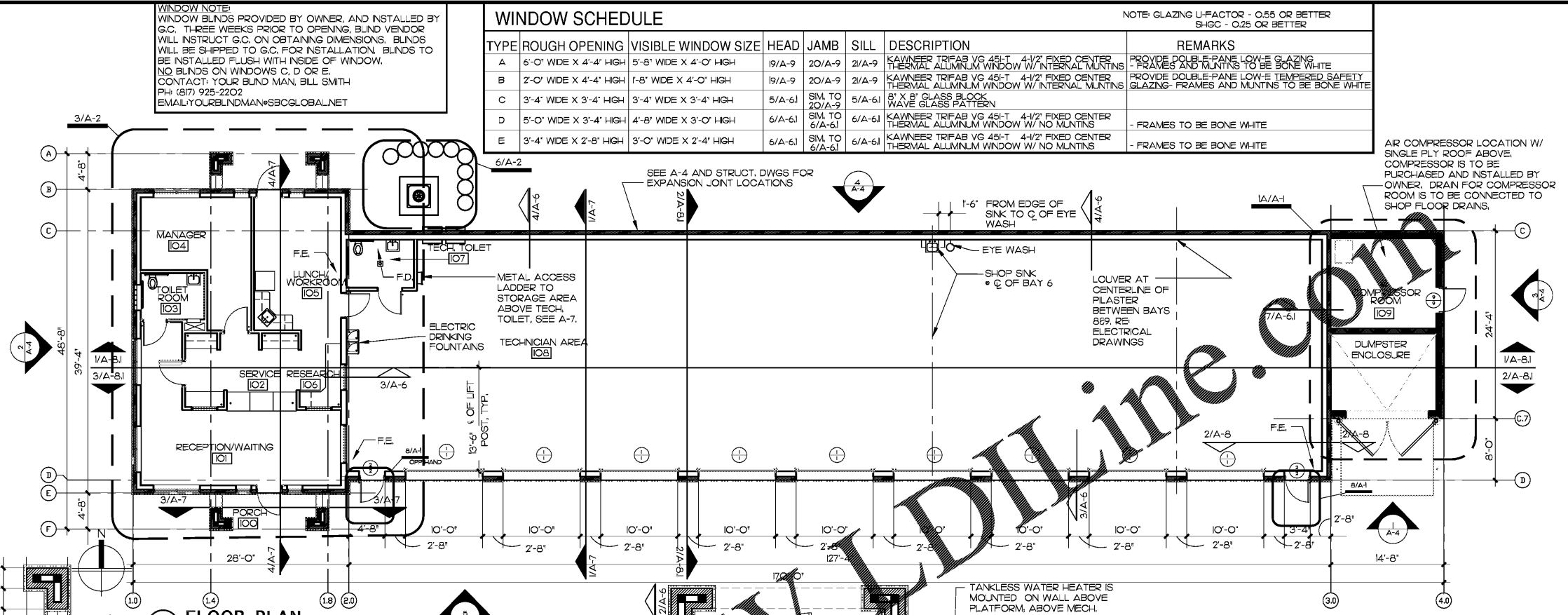
WINDOW NOTE:
WINDOW BLINDS PROVIDED BY OWNER, AND INSTALLED BY G.C. THREE WEEKS PRIOR TO OPENING. BLIND VENDOR WILL INSTRUCT G.C. ON OBTAINING DIMENSIONS. BLINDS WILL BE SHIPPED TO G.C. FOR INSTALLATION. BLINDS TO BE INSTALLED FLUSH WITH INSIDE OF WINDOW. NO BLINDS ON WINDOWS C, D OR E. CONTACT: YOUR BLIND MAN, BILL SMITH PH: (817) 925-2202 EMAIL: YOURBLINDMAN@SBCGLOBAL.NET

NOTE: GLAZING U-FACTOR - 0.55 OR BETTER SH-GC - 0.25 OR BETTER

AIR COMPRESSOR LOCATION W/ SINGLE PLY ROOF ABOVE. COMPRESSOR IS TO BE PURCHASED AND INSTALLED BY OWNER. DRAIN FOR COMPRESSOR ROOM IS TO BE CONNECTED TO SHOP FLOOR DRAINS.



- GENERAL NOTES**
- ALL DIMENSIONS ARE FROM FACE OF STUD TO FACE OF STUD, UNO.
 - [103] INDICATES ROOM NUMBER.
 - DOOR NUMBER, RE-DOOR SCHEDULE, HARDWARE SET, RE: HARDWARE SCHEDULE.
 - WINDOW TYPE, RE: 2/A-2 WINDOW SCHEDULE.
 - F.E. - INDICATES FIRE EXTINGUISHER. PROVIDE FIRE EXTINGUISHER (MINIMUM SIZE, 10-B C AT 48" A.F.F.)
 - ALL INTERIOR WALL AND CEILING FINISH MATERIALS SHALL BE MINIMUM CLASS 'A'.
 - F.D. - INDICATES FLOOR DRAIN. PROVIDE FLOOR DRAINS AT TOILET ROOM I07. KEEP TOP OF DRAIN LEVEL WITH TOP OF FINISHED FLOOR.
 - PROVIDE TOILET ACCESSORIES (TA-1 - TA-6) FOR TOILET ROOMS I03 AND I07. RE: A-10 FOR INTERIOR ELEVATIONS ILLUSTRATING LOCATIONS. RE: GENERAL TOILET ROOM NOTES SHEET A-10.
 - PROVIDE SOUND ATTENUATION INSULATION AT PERIMETER WALLS OF OFFICE TOILET ROOM I03 AND TECH TOILET ROOM I07.
 - GYP. BOARD TO HAVE MESH TAPED JOINTS.



Order Plans

SEE A-4 AND STRUCT. DWGS FOR EXPANSION JOINT LOCATIONS

1'-6" FROM EDGE OF SINK TO Q. OF EYE WASH

SHOP SINK Q. OF BAY 6

LOUVER AT CENTER-LINE OF PLASTER BETWEEN BAYS 8&9 RE: ELECTRICAL DRAWINGS

TANKLESS WATER HEATER IS MOUNTED ON WALL ABOVE PLATFORM ABOVE MECH. TOILET ROOM CEILING JOISTS. PLACE TIGHT IN CORNER.

NOTE: DIMENSIONS ON THIS PLAN FROM FINISHED SURFACE

NOTE: DIMENSIONS ON THIS PLAN FROM FINISHED SURFACE