



KROGER
STORE #473

2013 UNIVERSITY AVENUE
OXFORD, MISSISSIPPI 38655

A DEVELOPMENT OF THE KROGER COMPANY

naos
Naos Design Group Of Mississippi, PLLC.

MARC BREETZ
ARCHITECT

645 Lakeland East Drive
Suite 101
Flowood, Mississippi 39232
(p) 303.759.5777
(f) 720.360.4281

ARCHITECT OF RECORD



13825 SW GALLBREATH DRIVE
SHERWOOD, OREGON 97140
503.855.7000 (P) 503.855.8902

Pickering
Pickering Firm, Inc.
Architecture - Engineering
Planning - Surveying
6775 Lenox Center Court, Suite 300
Memphis, TN 38115
901.726.0810

ENGINEER OF RECORD:
STRUCTURAL
MECHANICAL
ELECTRICAL
CIVIL ENGINEER

V-SOFT
INFRASTRUCTURE
11280 CHESTER ROAD
CINCINNATI, OH 45244
T: 513-950-3819
LOW VOLTAGE

telgian
TELGIAN CORPORATION
10230 SOUTH 50TH PLACE
SUITE 100
PHOENIX, AZ 85044
T: (602) 955-4425
HTTP://WWW.TELGIAN.COM
FIRE PROTECTION

ISSUE LOG

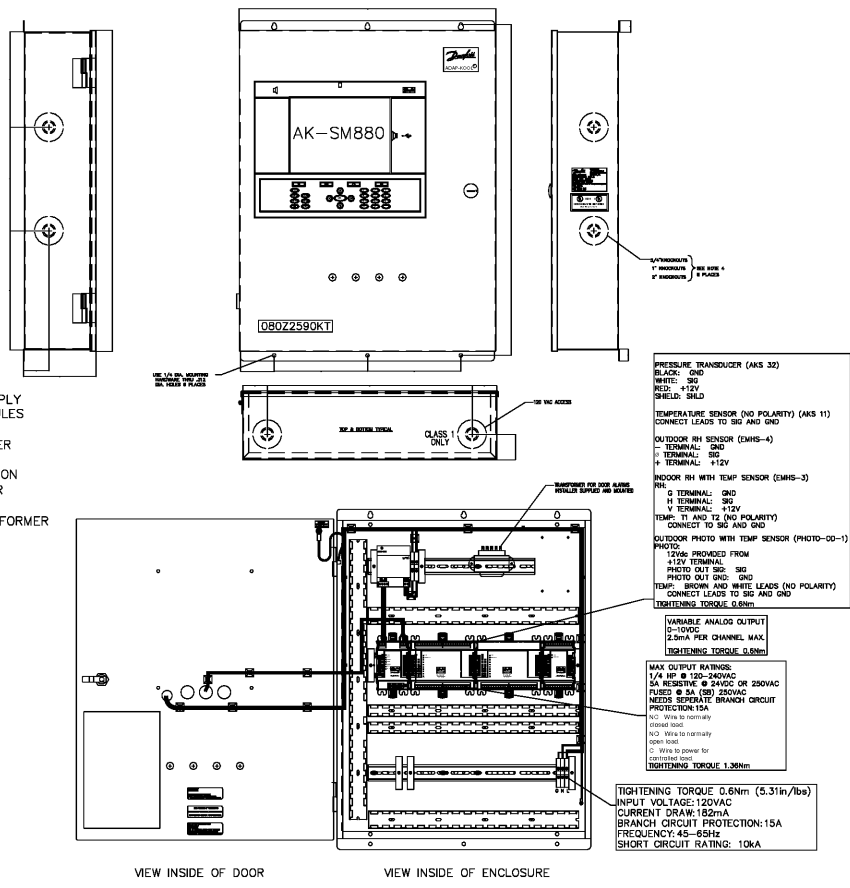
NO.	REV.	DESCRIPTION	DATE
1	-	PERMIT SET	12/06/18
2	-	BID SET	03/21/19

JOB: 2019041 SCALE: AS SHOWN

EM5.0
ENERGY MANAGEMENT DANFOSS
DETAILS

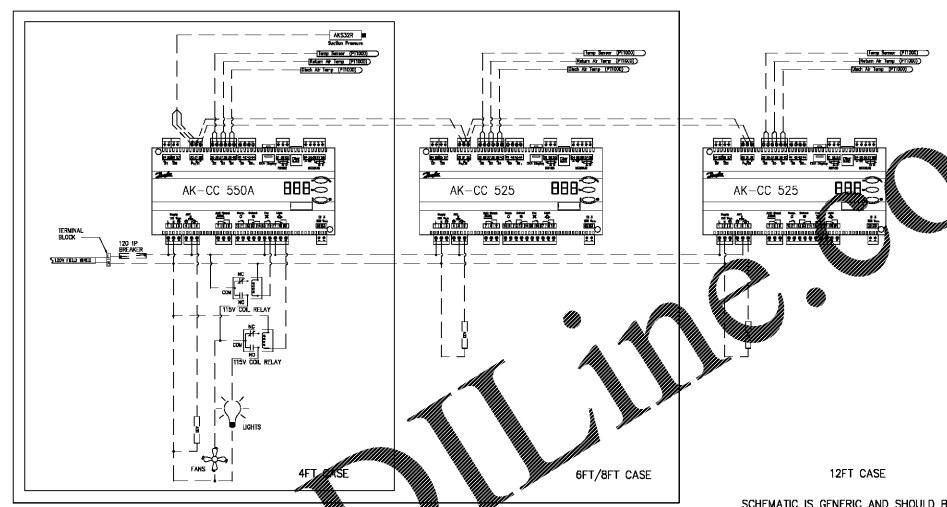
COPYRIGHT © 2018 DANFOSS GROUP OF MISSISSIPPI, PLLC. THESE DRAWINGS OR PARTS THEREOF ARE NOT TO BE REPRODUCED, COPIED, EITHER WHOLLY OR IN PART, FOR ANY PURPOSE, WITHOUT PRIOR WRITTEN CONSENT FROM DANFOSS.

- DANFOSS ENVIRONMENTAL CONTROL PANEL KIT INCLUDES:
- ONE (1) 22" X 28" ENCLOSURE
 - FLUSH MOUNTED SM-880 CONTROLLER
 - FACTORY WIRED & MOUNTED POWER SUPPLY
 - FACTORY WIRED & MOUNTED COMM MODULES
 - ONE (1) LOOSE 8A1/BRO COMBO BOARD
 - ONE (1) LOOSE XM-103A BOARD & POWER SUPPLY
 - ONE (1) LOOSE OUTDOOR WEATHER STATION
 - ONE (1) LOOSE INDOOR TEMP/RH SENSOR
 - ONE (1) LOOSE 8A0 BOARD
 - ONE (1) INSTALLER SUPPLIED 24V TRANSFORMER FOR RELAY CONTROL



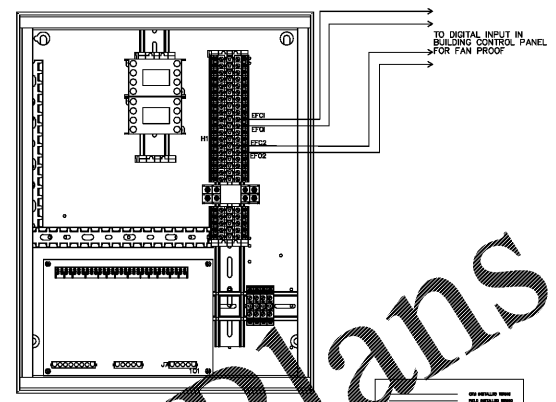
1 CONTROL SYSTEM - DANFOSS ENVIRONMENTAL CONTROL PANEL

2 HUSSMANN SAMPLE SCHEMATIC HUSSMANN MEDIUM TEMP CASE

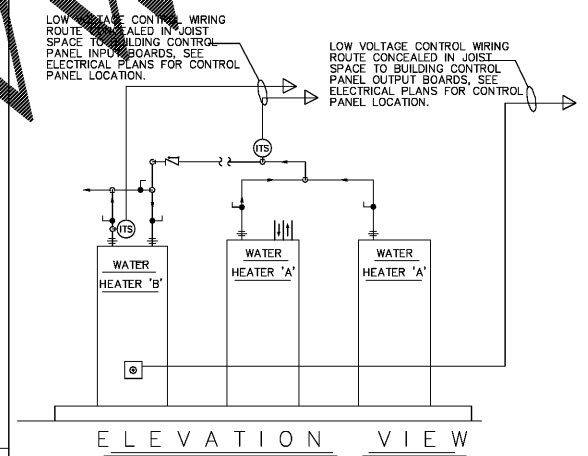


SCALE: NONE

3 CONTROL SYSTEM - EXHAUST HOOD CONTROL PANEL - EMS CONTROL



SCALE: NONE

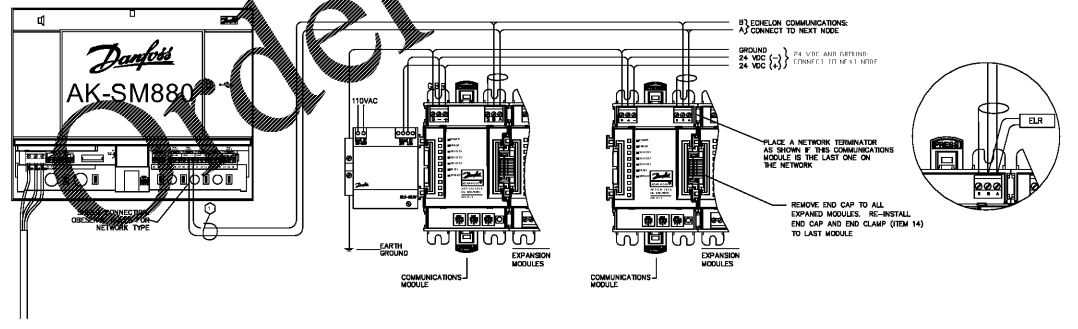


NOTES:

- REFER TO PSD-6R FOR TANK AND PLUMBING INFORMATION.
- IMMERSION TEMPERATURE SENSOR, DIRECT BUY - KROGER SUPPLIED, INSTALLED BY PLUMBING CONTRACTOR, IN THREADED TEE IN RECLAIM HEATER AND GAS WATER HOT WATER DISCHARGE LINE AS INDICATED. RECLAIM TANK IMMERSION TEMPERATURE SENSOR CONTROLS RECLAIM VALVE/S ON PROTOCOL UNITS SUPPLYING HEAT RECLAIM, GAS WATER HEATER IMMERSION TEMPERATURE SENSOR CONTROLS RELAY OUTPUT POINT CONTROLLING HEATER OPERATION.
- SET WATER HEATERS 'A' & 'B' TO SUPPLY 180°F WATER, DURING PEAK STORE OPERATION. SET BACK TO 100°F UPON COMPLETION OF PREP AREA WASHDOWN. FDA FOOD CODE 2009 STATES THAT WATER MUST BE A MINIMUM 100°F AT POINT OF DELIVERY.
- SPICE LOW VOLTAGE CONTROL WIRE INTO 24V LINE FROM THE IGNITION CONTROL MODULE TO THE DAMPER DRIVE AND WIRE TO BUILDING CONTROL PANEL RELAY OUTPUT POINT. RELAY OUTPUT WILL BE CONTROLLED BY IMMERSION TEMP SENSOR TO TURN HEATER ON/OFF.

SCALE: NONE

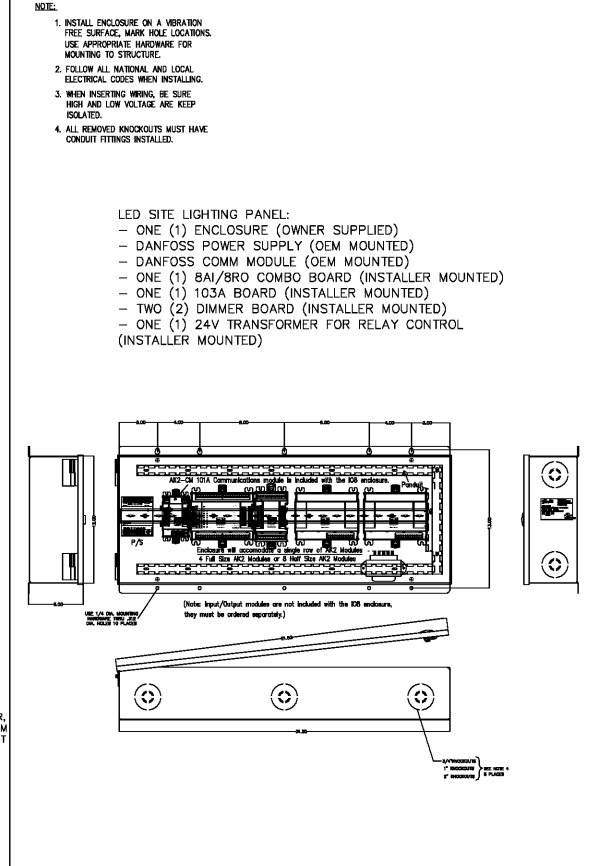
4 CONTROL SYSTEM - I/O BOARD/LON COMMUNICATION NETWORK - EMS CONTROL



SCALE: NONE

5 CONTROL SYSTEM - DOOR ALARM

6 LED SITE LIGHTING PANEL (IF REQUIRED)



SCALE: NONE