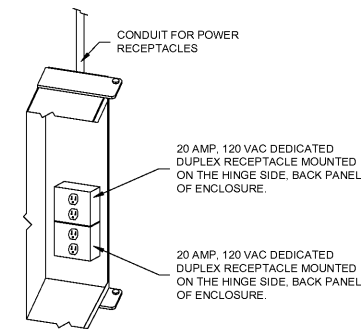
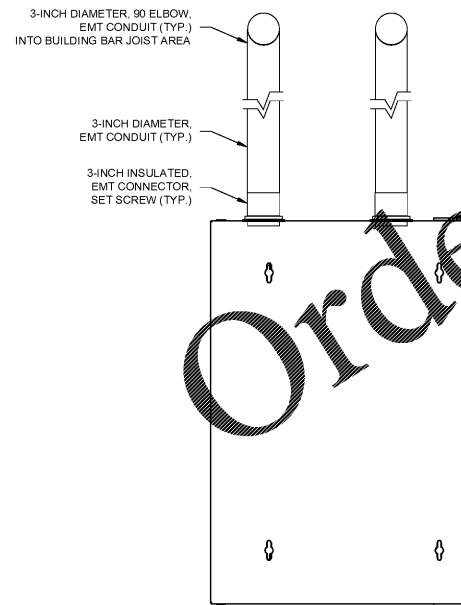


WALL MOUNT PLAN VIEW
RIGHT HINGE

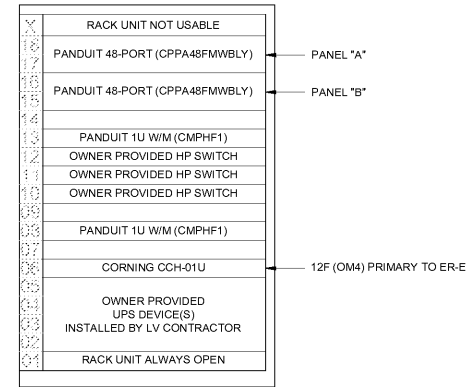


TR CABINET POWER
BACK PANEL
HINGED SIDE VIEW

POWER RIGHT HINGE

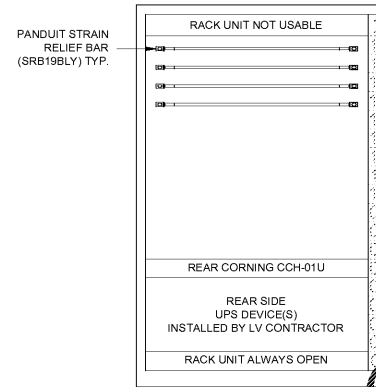


36" BACK PANEL FRONT
VIEW - RIGHT HINGE



GREAT LAKES WD SERIES
36-INCH WALL-MOUNT
SWING CABINET
30" USABLE DEPTH
(GL36WD)

WALL MOUNT ELEVATION
VIEW - FRONT RAILS

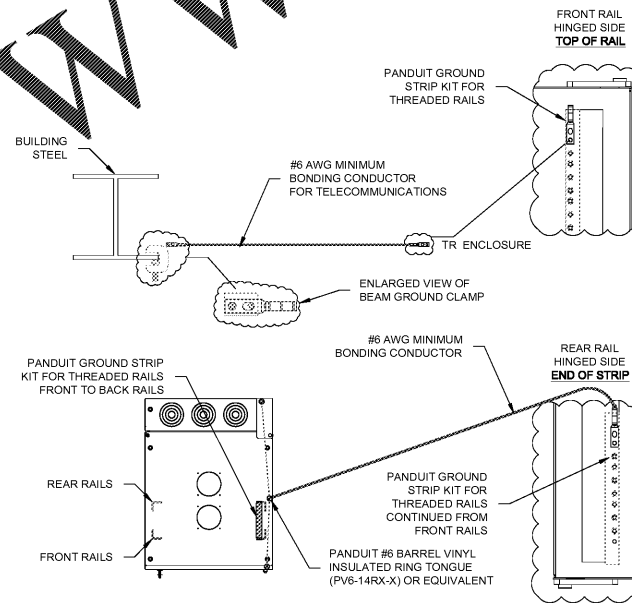


WALL MOUNT ELEVATION
VIEW - REAR RAILS

GROUNDING AND BONDING LEGEND:

- PANDUIT #6 AWG, 1/4-INCH, TWO HOLE, CODE CONDUCTOR, LONG BARREL WITH WINDOW LUG, SLOTTED 45 BENT, FOR RACKS (LCC6-14JAWH-L)
- PANDUIT #6 AWG, 1/2-INCH, TWO HOLE, CODE CONDUCTOR, LONG BARREL WITH WINDOW LUG, STRAIGHT, FOR GUBC (LCC4-12W-L)
- PANDUIT UNIVERSAL BEAM GROUNDING CLAMP (GUBCS00-6) FITS ON A WIDE RANGE OF STANDARD (ANGLED) AND WIDE FLANGE (PARALLEL) STRUCTURAL STEEL BEAMS
- PANDUIT GROUNDING STRIP KITS FOR THREADED RAILS (RGS134-1Y)
- PANDUIT GROUNDING STRIP KITS FOR CAGE NUT RAILS (RGS134R-1)
- BCT BONDING CONDUCTOR FOR TELECOMMUNICATIONS
- GREAT LAKES ENCLOSURE GROUNDING POINTS (MANUFACTURE AND WIRE BETWEEN POINTS USING ONE HOLE COMPRESSION LUGS)

1. THE CABLE CONTRACTOR SHALL PROVIDE AND INSTALL THE "TELECOMMUNICATIONS GROUNDING SYSTEM" WITHIN TR AS ILLUSTRATED IN ABOVE DETAIL AND ASSOCIATED DRAWINGS SET.
2. THE CABLE CONTRACTOR SHALL PROVIDE AND INSTALL A PANDUIT GROUNDING STRIP KIT FOR THREADED RAILS (RGS134-1Y) ON THE FRONT RAILS ON THE ENCLOSURE HINGED SIDE CONTINUING TO THE REAR RAILS OF THE ENCLOSURE HINGED SIDE.
3. THE CABLE CONTRACTOR SHALL PROVIDE AND INSTALL THE "BONDING CONDUCTOR FOR TELECOMMUNICATIONS" (BCT). THE BCT SHALL BE A MINIMUM #6 AWG COPPER CABLE WITH A "GREEN" INSULATING JACKET. THE BCT SHALL BE INSTALLED FROM THE NEAREST BUILDING STEEL TO THE FRONT RAILS OF THE CABINET. THE BONDING OF THE BCT TO BUILDING STEEL SHALL BE MADE WITH A PANDUIT UNIVERSAL BEAM CLAMP (GUBCS00-6) AND A TWO-HOLE COMPRESSION LUG PLACED ON TOP OF THE BEAM CLAMP. AT THE BONDING LOCATION ON BUILDING STEEL, THE PAINT SHALL BE REMOVED AND THE APPROPRIATE OXIDANT COMPOUND APPLIED. AT THE ENCLOSURE BONDING LOCATION ON THE FRONT RAILS AT THE TOP, BONDING OF THE GROUND STRIP AND RAILS OF THE BCT SHALL BE MADE WITH A TWO-HOLE COMPRESSION LUG. ALL COMPONENTS SHALL BE LISTED BY A NATIONALLY RECOGNIZED TESTING LABORATORY.
4. THE CABLE CONTRACTOR SHALL PROVIDE AND INSTALL A SEPARATE "BONDING CONDUCTOR" FROM THE ENCLOSURE REAR RAILS TO THE MANUFACTURE PROVIDED GROUNDING POINT ON THE SIDE PANEL OF THE ENCLOSURE. THE BCT SHALL BE A #6 AWG COPPER CABLE WITH A "GREEN" INSULATING JACKET. THE BONDING LOCATION ON THE ENCLOSURE REAR RAIL SHALL BE MADE WITH A TWO-HOLE COMPRESSION LUG. THE BONDING LOCATION ON THE ENCLOSURE SIDE PANEL SHALL BE MADE WITH A #6 BARREL VINYL INSULATED RING TONGUE OR EQUIVALENT. ALL COMPONENTS SHALL BE LISTED BY A NATIONALLY RECOGNIZED TESTING LABORATORY.



SHEET NOTES:

1. 3/4 INCH FIRE RETARDANT PLYWOOD BACKBOARD SHALL BE INSTALLED TO SUPPORT AT LEAST 350 LBS.
2. PAINT THE BACKBOARD WITH WHITE FIRE RETARDANT PAINT. DO NOT PAINT OVER THE MANUFACTURERS "FIRE RETARDANT STAMP". THE FIRE RETARDANT STAMP MUST BE VISIBLE.
3. THE GREAT LAKES ENCLOSURE SHALL BE INSTALLED WITH A RIGHT HINGE DOOR OPENING.
4. PROVIDE AND INSTALL GREAT LAKES 2 FAN UNIT ASSEMBLY, 150 CFM, 115VAC (7217WS) AND MOUNT FAN ON TOP SIDE OF CABINET. PROVIDE FOUR FAN FILTERS (FFK1) EXTRA FAN FILTERS TO REMAIN IN CABINET FOR FUTURE USE.
5. FRONT RAILS SHALL BE PLACED 5" FROM FRONT EDGE OF THE CABINET ENCLOSURE. REAR RAILS SHALL BE PLACED 12" FROM THE FRONT EDGE OF THE CABINET ENCLOSURE.
6. REFER TO THE BONDING & GROUNDING SCHEMATIC FOR DETAILS ON ENCLOSURE GROUNDING REQUIREMENTS.
7. TWO (2) 3-INCH EMT CONDUITS WITH 3-INCH CONNECTORS SHALL BE ATTACHED TO THE KNOCK-OUTS ON THE ENCLOSURE, EXTEND UP TO THE BUILDING BAR JOIST, AND BE USED AS LOW VOLTAGE CABLE ENTRIES INTO THE ENCLOSURE. USE FIRE-STOP PUTTY TO SEAL CONDUITS AT COMPLETION OF PROJECT.
8. LOW VOLTAGE CABLE SERVICE LOOP SLACK SHALL BE NEATLY COILED (USING VELCRO) AND ATTACHED AT THE BUILDING BAR JOIST.
9. PROVIDE AND INSTALL ALL PANDUIT COMPONENTS AS SHOWN ON THE DRAWING. ALL PANDUIT PATCH PANELS REQUIRE A PANDUIT STRAIN RELIEF BAR FOR CABLE SUPPORT, MANAGEMENT AND PROPER BEND RADIUS PROTECTION.
10. THE NEW CORNING 12F MULTIMODE OM4 FIBER CABLES SHALL BE HOUSED IN A 1RU CLOSET CONNECTOR HOUSING (CCH-01U). THE MULTIMODE FIBER STRANDS SHALL BE TERMINATED USING CORNING LC UNICAM CONNECTORS (95-050-99-X) HOUSED ON A CORNING 12 FIBER STANDARD LC PANEL (CCH-CP-12-E4). THE PRIMARY STANDARD LC PANEL SHALL BE LOCATED IN POSITION "A" AND THE SECONDARY STANDARD LC PANEL SHALL BE LOCATED IN POSITION "B".
11. PROVIDE AND INSTALL THE REQUIRED QUANTITY, LENGTH AND COLOR OF PATCH CORDS AND FIBER JUMPERS. COORDINATE PATCHING WITH THE KROGER PROJECT TEAM.
12. THE OWNER PROVIDED UPS DEVICE(S) SHALL HAVE THE MOUNTING EARS LOCATED IN THE MIDDLE SLOTS OF THE DEVICE (FOUR TOTAL) TO MOUNT THE UPS DEVICE TO BOTH THE FRONT AND BACK RAILS OF THE ENCLOSURE. THE BOTTOM RACK UNIT SHALL BE LEFT OPEN.
13. THE CORNING CLOSET CONNECTOR HOUSING SHALL HAVE THE MOUNTING EARS LOCATED IN THE MIDDLE SLOT FACING BACKWARDS TO MOUNT THE CLOSET CONNECTOR HOUSING TO THE BACK RAILS OF THE ENCLOSURE.
14. THE OWNER PROVIDED HP SWITCH(ES) SHALL HAVE THE MOUNTING EARS LOCATED ON THE FRONT MOUNTING SLOT OF THE SWITCH(ES) TO MOUNT THE SWITCH(ES) TO THE FRONT RAIL OF THE ENCLOSURE.
15. THE ELECTRICAL CONTRACTOR WILL BE RESPONSIBLE FOR ALL POWER CIRCUIT REQUIREMENTS INTO THE CABINET. POWER SHALL BE LOCATED WITHIN THE ENCLOSURE AS DETAILED ON THE DRAWING.



KROGER
STORE #473

2013 UNIVERSITY AVENUE
OXFORD, MISSISSIPPI 38655

A DEVELOPMENT OF:
THE KROGER COMPANY



Naos Design
Group Of
Mississippi, PLLC.

MARC BREETZ,
ARCHITECT

645 Lakeland East Drive
Suite 101
Flowood, Mississippi 39232
(p) 303.759.5777
(f) 720.360.4281

ARCHITECT OF RECORD

CDS
COMMERCIAL DESIGN SYSTEMS,
INC.
13825 SW GALBREATH DRIVE
SHERWOOD, OREGON 97140
503.865.7000 (F) 503.625.8002

INTERIOR DECOR

Pickering
Pickering Firm, Inc.
Architecture - Engineering
Planning - Surveying
8775 Lenox Center Court, Suite 300
Memphis, TN 38115
901.726.0810

ENGINEER OF RECORD:
STRUCTURAL
MECHANICAL
ELECTRICAL
CIVIL ENGINEER

V-SOFT
INFRASTRUCTURE
160 CHESTER ROAD
COLUMBI, OH 43061
T: 505-693-2529

LOW VOLTAGE

telgian
TELGIAN CORPORATION
10230 SOUTH 50TH PLACE
SUITE 100
PHOENIX, AZ 85044
T: (877) 835-4425
HTTP://WWW.TELGIAN.COM

FIRE PROTECTION

ISSUE LOG

NO.	REV.	DESCRIPTION	DATE
1	-	PERMIT SET	12/06/18
2	-	BID SET	03/21/19

JOB: 2018041 SCALE: NO SCALE

SHEET NO.

TR-P (PHARMACY)
BUILD OUT

T4.2

© 2018 KROGER. ALL RIGHTS RESERVED. THIS DOCUMENT IS THE PROPERTY OF KROGER. IT IS TO BE USED ONLY FOR THE PROJECT AND NOT BE REPRODUCED OR TRANSMITTED IN ANY FORM OR BY ANY MEANS, WITHOUT PRIOR WRITTEN PERMISSION FROM KROGER.