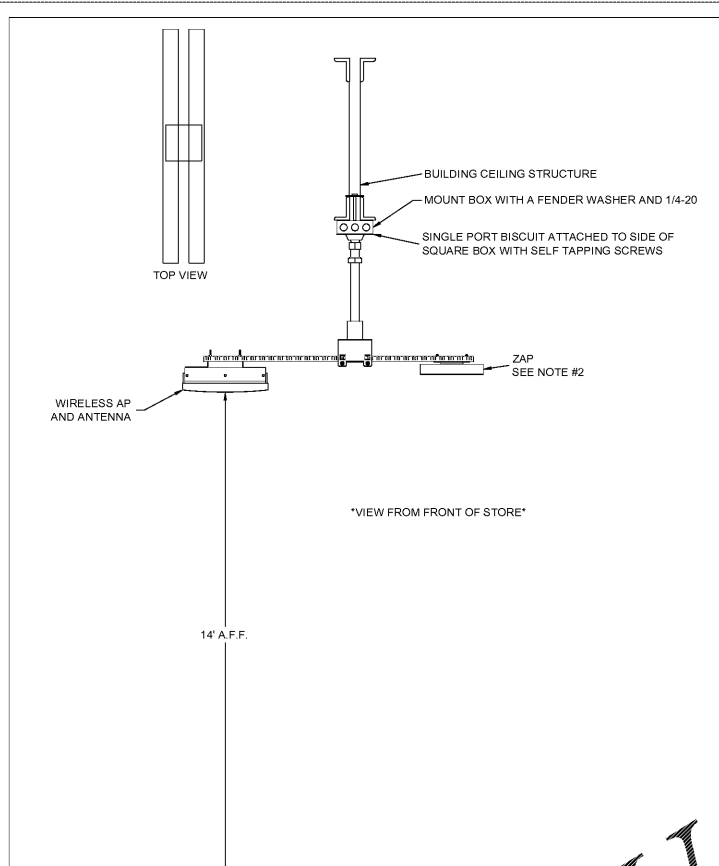
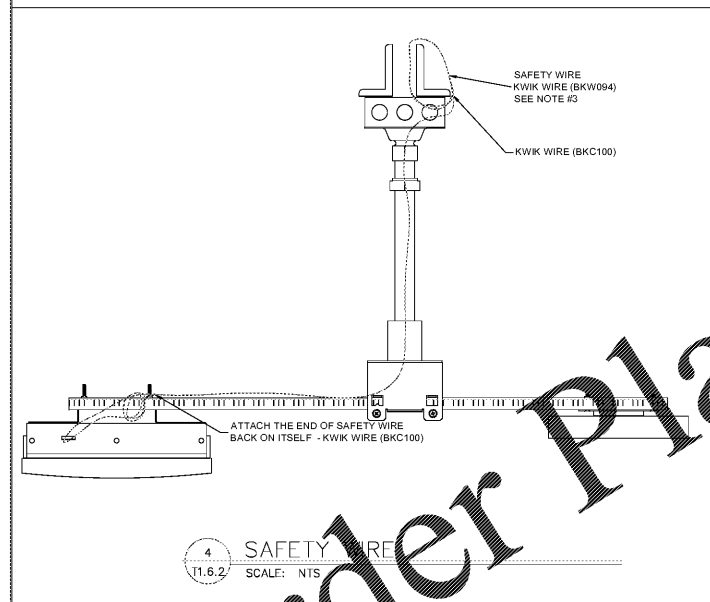


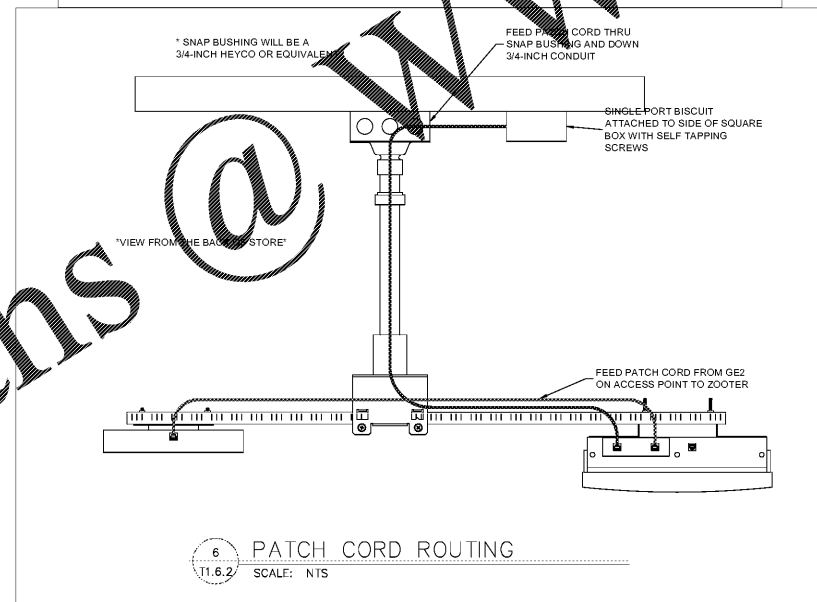
1 HARD CEILING MOUNT  
SCALE: NTS



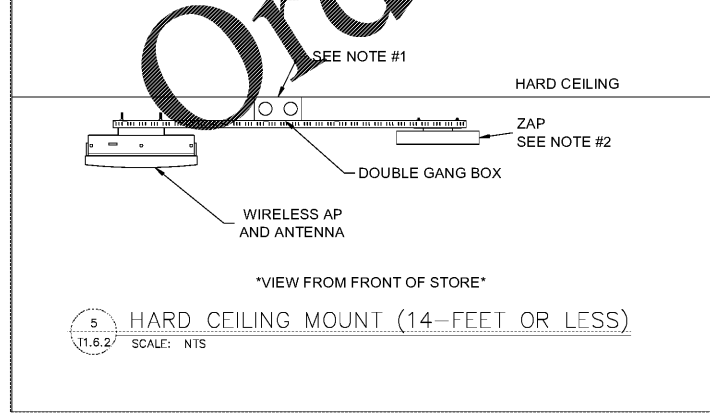
2 BUILDING STEEL MOUNT  
SCALE: NTS



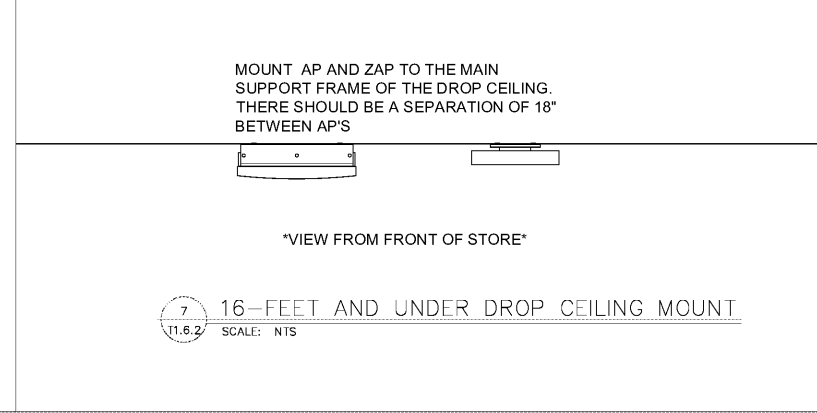
4 SAFETY WIRE  
SCALE: NTS



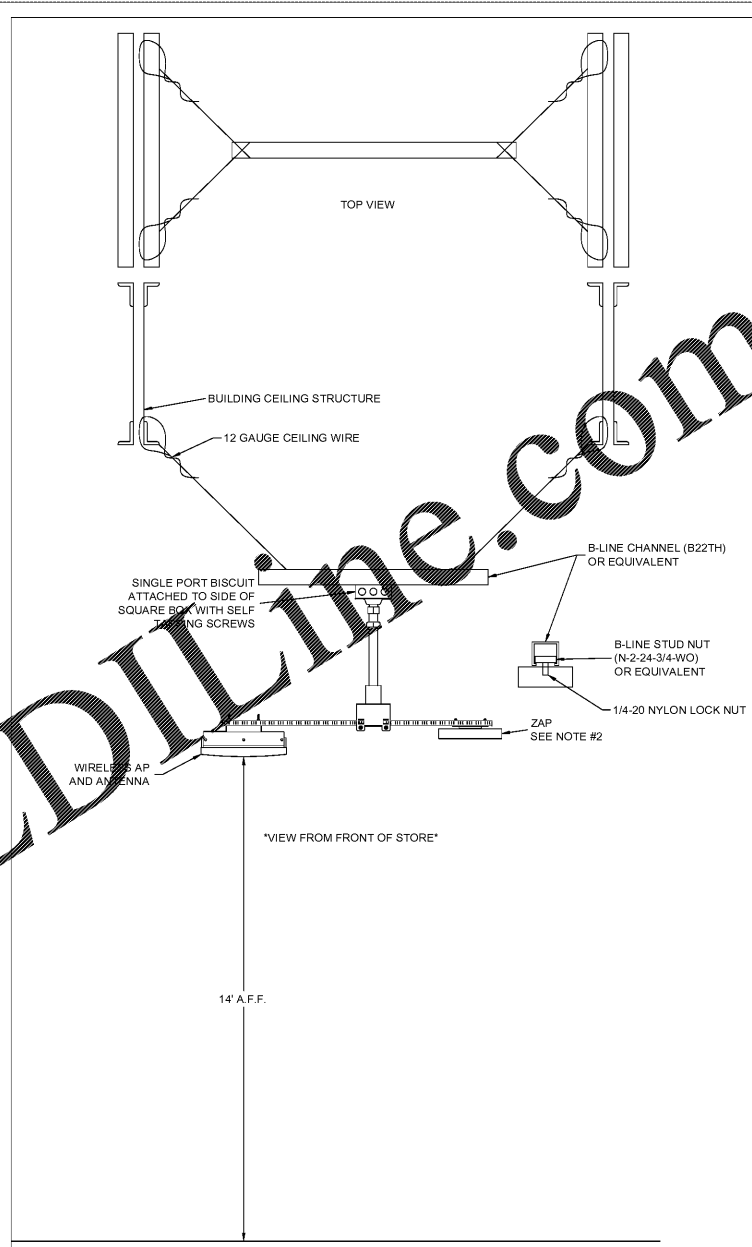
6 PATCH CORD ROUTING  
SCALE: NTS



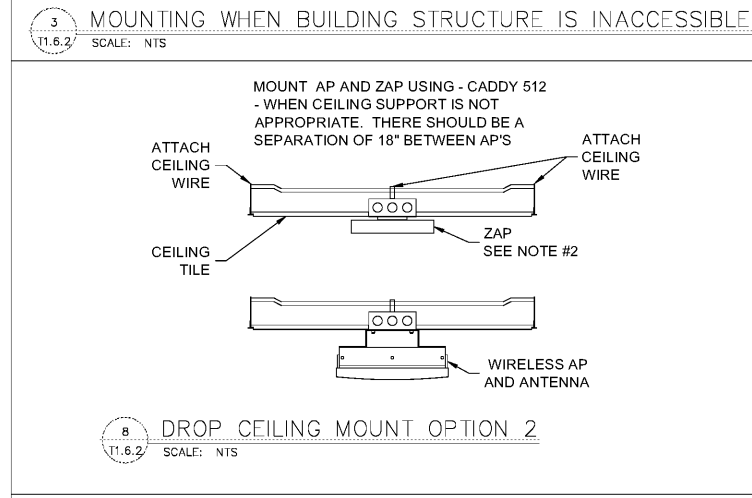
5 HARD CEILING MOUNT (14- FEET OR LESS)  
SCALE: NTS



7 16- FEET AND UNDER DROP CEILING MOUNT  
SCALE: NTS



3 MOUNTING WHEN BUILDING STRUCTURE IS INACCESSIBLE  
SCALE: NTS



8 DROP CEILING MOUNT OPTION 2  
SCALE: NTS

**ZAP MOUNTING NOTES:**

- WHEN MOUNTING TO A CONCRETE CEILING USE TAPCON OR DRIVE ANCHORS RATED TO SUPPORT 500lbs. WHEN MOUNTING TO A DRYWALL CEILING BE SURE TO ANCHOR TO A CEILING JOIST. (DO NOT USE DRYWALL ANCHORS)
- ZIGBEE AP's (ZAP's) SHOULD BE TO THE RIGHT OF THE AP's WHEN STANDING IN FRONT AND LOOKING TOWARDS THE BACK OF THE STORE. THE RED LIGHT ON THE BOTTOM OF THE ZAP's SHOULD BE TOWARDS THE BACK LEFT OF THE STORE. THE LAN PORTS ON THE AP's SHOULD BE TOWARDS THE BACK OF THE STORE.
- SAFETY WIRE SHALL BE FIRMLY ATTACHED TO THE HARD CEILING OR BUILDING STRUCTURE. THEN FEED INTO THE 4x4 SQUARE BOX AND DOWN THRU THE 3/4 CONDUIT. EXIT THE SINGLE GANG BOX AND FEED THRU THE SAFETY EYELET ON THE AP. THEN WRAP TWICE AROUND THE AP MOUNTING BRACKET AND 3/4 CONDUIT.

**Kroger**  
KROGER  
STORE #473  
2013 UNIVERSITY AVENUE  
OXFORD, MISSISSIPPI 38655  
A DEVELOPMENT OF THE KROGER COMPANY

**naos**  
Naos Design Group Of Mississippi, PLLC.  
MARC BREETZ, ARCHITECT  
645 Lakeland East Drive Suite 101  
Flowood, Mississippi 39232  
(p) 303.759.5777 (f) 720.360.4281  
ARCHITECT OF RECORD

**CDS**  
COMMERCIAL DESIGN SYSTEMS, INC.  
13025 SW GALBREATH DRIVE  
SHERWOOD, OREGON 97140  
503.855.7000 (F)503.825.8002  
INTERIOR DECOR

**Pickering Firm, Inc.**  
Architecture - Engineering  
Planning - Surveying  
8775 Lenox Center Court, Suite 300  
Memphis, TN 38115  
901.726.0810  
ENGINEER OF RECORD:  
STRUCTURAL  
MECHANICAL  
ELECTRICAL  
CIVIL ENGINEER

**SOFT**  
INFRASTRUCTURE  
1800 CHESTER ROAD  
CINCINNATI, OH 45216  
T: 513-690-3089  
LOW VOLTAGE

**telgian**  
TELGIAN CORPORATION  
10220 SOUTH 50TH PLACE  
SUITE 100  
PHOENIX, AZ 85044  
T: (877) 835-4426  
HTTP://WWW.TELGIAN.COM  
FIRE PROTECTION

**ISSUE LOG**

NO.	REV	DESCRIPTION	DATE
1	-	PERMIT SET	12/08/18
2	-	BID SET	03/21/19

JOB: 2018041 SCALE: NO SCALE  
SHEET NO.  
AP MOUNTING DETAIL 1  
**T1.6.2**  
COPYRIGHT © 2018 NAOS DESIGN GROUP OF MISSISSIPPI, PLLC. THESE DRAWINGS ARE THE PROPERTY OF NAOS DESIGN GROUP OF MISSISSIPPI, PLLC. NO PART OF THESE DRAWINGS MAY BE REPRODUCED OR TRANSMITTED IN ANY FORM OR BY ANY MEANS, WITHOUT THE WRITTEN CONSENT FROM NAOS.