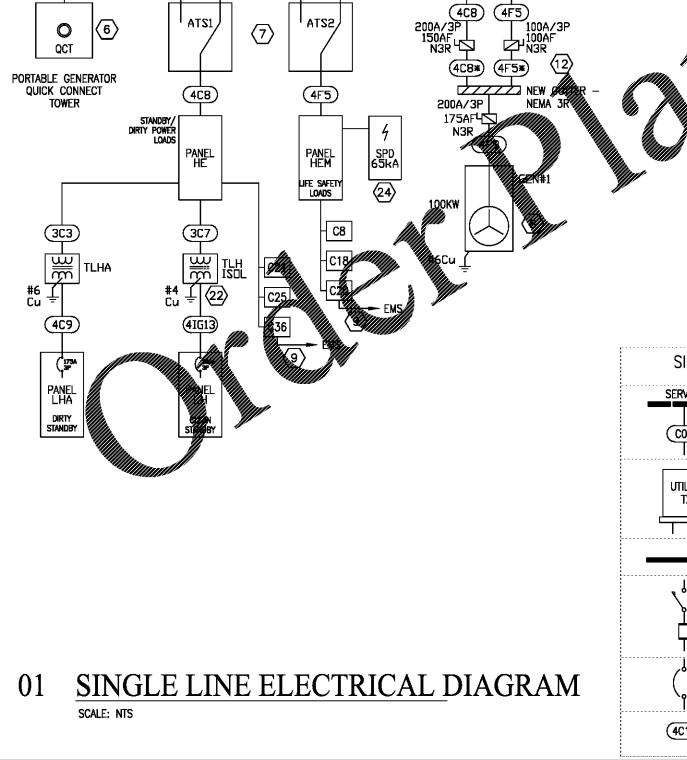
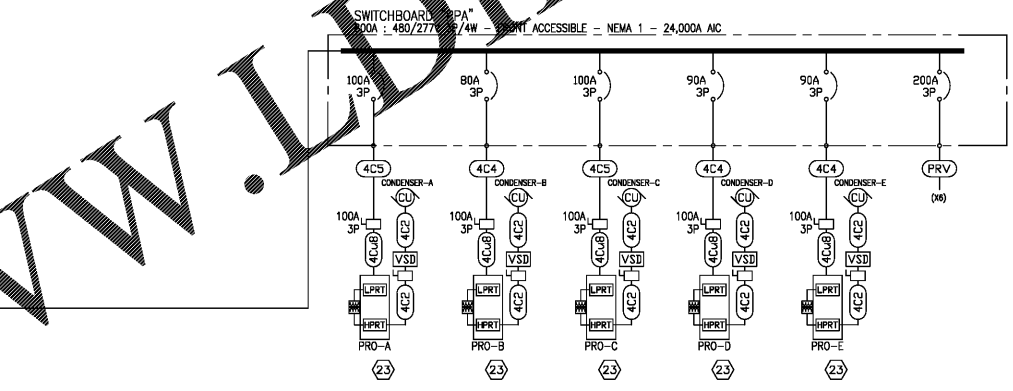
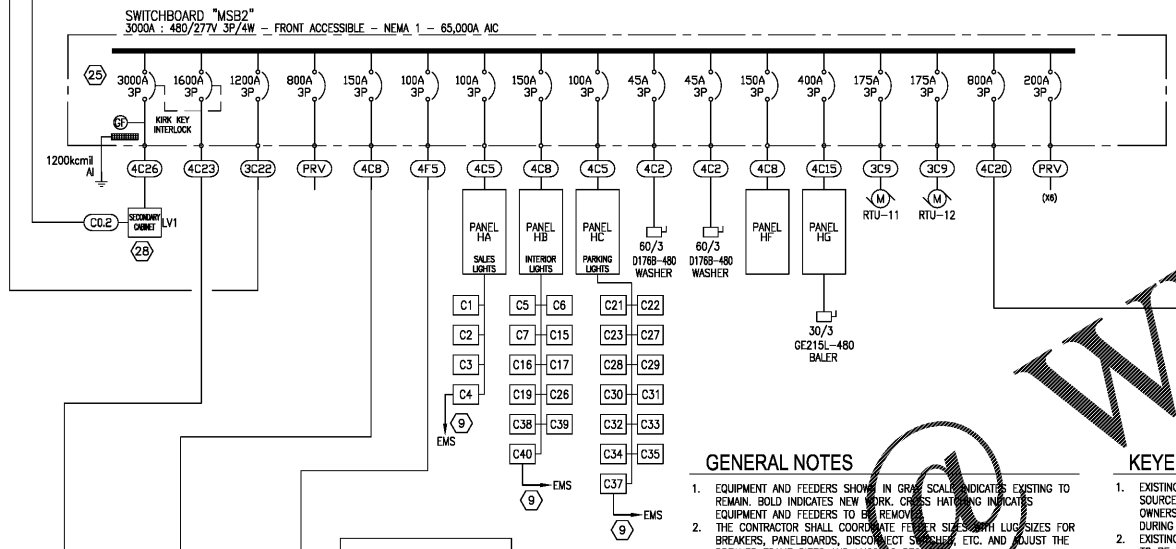
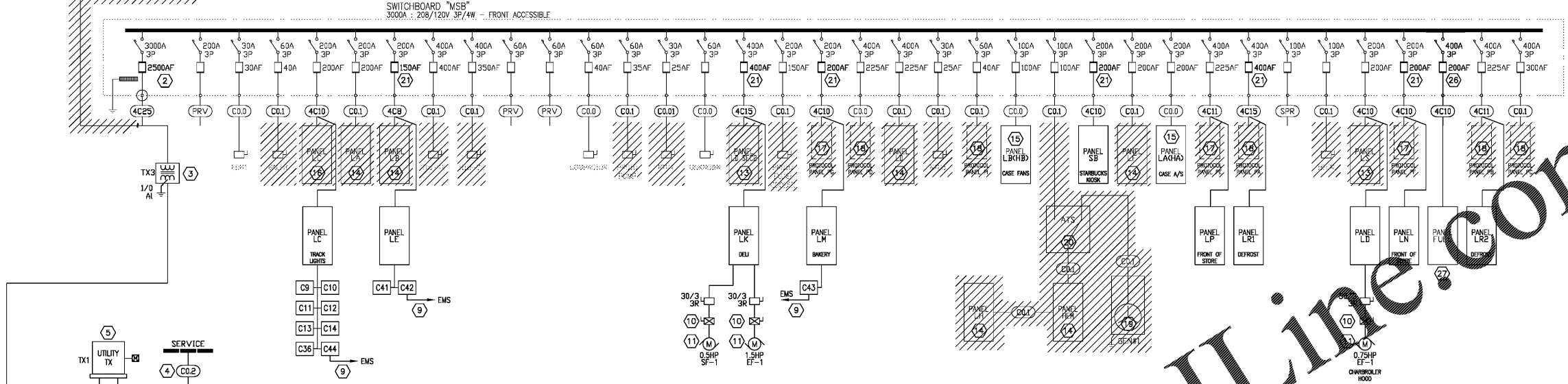


PREVIOUS MAXIMUM DEMAND
476KW (1469A/PH @ 0.9PF)

THIS DRAWING HAS BEEN DEVELOPED FROM A SITE INSPECTION AND LIMITED AS BUILT INFORMATION. IT IS INTENDED FOR GUIDANCE ONLY. ALL CIRCUITS TO BE CAREFULLY VERIFIED ON SITE BY A QUALIFIED PERSON PRIOR TO ANY WORK BEING DONE TO THE SYSTEM.



- ### GENERAL NOTES
- EQUIPMENT AND FEEDERS SHOWN IN GRAY SCALE INDICATES EXISTING EQUIPMENT AND FEEDERS TO BE REMOVED.
 - THE CONTRACTOR SHALL COORDINATE FEEDER SIZES WITH LUG SIZES FOR BREAKERS, PANELBOARDS, DISCONNECT SWITCHES, ETC. AND ADJUST THE BREAKER FRAME SIZES AND LUGS AS REQUIRED.
 - THE CONTRACTOR SHALL DETERMINE THE ROUTING OF ALL FEEDERS TO PANELBOARDS, ETC. COORDINATE ROUTING WITH DUCTWORK, PIPING AND GENERAL CONTRACTOR SCHEDULES FOR LOAD AND FAULT CURRENT RATING OF NEW PANELS.
 - THE CONTRACTOR SHALL FURNISH AND INSTALL ALL NEW BREAKERS AND USED SWITCHES, FUSES, ETC. FOR EXISTING PANELS AND SWITCHBOARDS. THE CONTRACTOR SHALL DETERMINE THE EXACT LOCATION OF PANELBOARDS, DISCONNECTS, ETC. TO AVOID CONFLICTS WITH PIPING, DUCTWORK, STRUCTURE, ETC. AND PROVIDE CODE REQUIRED CLEARANCES. SEE WIRE SCHEDULE FOR FEEDER SIZES/DETAILS.
 - CONTRACTOR SCHEDULE FOR LOAD AND FAULT CURRENT RATING OF NEW PANELS.
 - THE CONTRACTOR SHALL FURNISH AND INSTALL ALL NEW BREAKERS AND USED SWITCHES, FUSES, ETC. FOR EXISTING PANELS AND SWITCHBOARDS. THE CONTRACTOR SHALL DETERMINE THE EXACT LOCATION OF PANELBOARDS, DISCONNECTS, ETC. TO AVOID CONFLICTS WITH PIPING, DUCTWORK, STRUCTURE, ETC. AND PROVIDE CODE REQUIRED CLEARANCES. SEE WIRE SCHEDULE FOR FEEDER SIZES/DETAILS.
 - CONTRACTOR SCHEDULE FOR LOAD AND FAULT CURRENT RATING OF NEW PANELS.
 - CONTRACTOR SCHEDULE FOR LOAD AND FAULT CURRENT RATING OF NEW PANELS.
 - ALL WIRING SHALL BE COPPER, U.O.I.
 - REFER TO ESD-53 FOR CONNECTION OF ANTISWAP CIRCUITS.
 - OVER-CURRENT PROTECTION DEVICES FOR REFRIGERATION EQUIPMENT IS SUBJECT TO CHANGE BASED ON THE INFORMATION FROM THE R. DRAWINGS. SIZES MUST BE CONFIRMED AT SHOP DRAWING STAGE. ANY DISCREPANCIES SHOULD BE IMMEDIATELY CONVEYED TO KROGER AND THE GE SWITCHGEAR REPRESENTATIVE.
 - CONTRACTORS LOCATED AT OR NEAR THE PANEL UNLESS OTHERWISE INDICATED.
 - REFER SHEET E8.2.5 FOR WIRE, TRANSFORMER, GENERATOR AND ATS SCHEDULES AS WELL AS LOAD AND AIC CALCULATIONS.
 - REFER SHEET E8.2.4 FOR CONTACTOR SCHEDULES.

- ### KEYED NOTES
- EXISTING SERVICE TO BE DISCONNECTED AND DEMOUSHED BACK TO SOURCE. LIAISE AND COORDINATE WITH THE UTILITY COMPANY AND THE OWNERS P.M. WORK TO BE PHASE TO ENSURE NO LOSS OF POWER DURING CONSTRUCTION.
 - EXISTING SWITCH BOARD TO BE CUT OVER TO NEW TRANSFORMER. FUSE TO BE CHANGED OUT WITH NEW AS INDICATED.
 - PROVIDE NEW PAD MOUNTED TRANSFORMER AS SHOWN. REFER TRANSFORMER SCHEDULE FOR DETAILS AND PLAN FOR LOCATION.
 - ARRANGE WITH OXFORD ELECTRIC DEPARTMENT FOR NEW/RELOCATED MV SERVICE.
 - ARRANGE WITH OXFORD ELECTRIC DEPARTMENT FOR NEW POWER 277/480V 3PH/4W TRANSFORMER FOR NEW SERVICE TO FACILITY. PROVIDE ALL 1/2" CONDUITS, PADS AND BOLLARDS AS REQUIRED BY OXFORD ELECTRIC DEPARTMENT.
 - PROVIDE NEW 480V/1500A/3P QUICK CONNECT PANEL AS SHOWN AND AS SPECIFIED. SEE SHEET E1.3.2 FOR LOCATION.
 - PROVIDE NEW AUTOMATIC TRANSFER SWITCHES. REFER ITS SCHEDULE ON SHEET E8.2.4 FOR CONTROL WIRING REFER TO ESD-39.2.
 - INSTALL NEW GENERATOR AS INDICATED. MAINTAIN EMERGENCY POWER SERVICES TO STORE AT ALL TIMES. REFER GENERATOR SCHEDULE FOR DETAILS.
 - PROVIDE NEW CONTACTORS CONTROLLED BY EMS SYSTEM.
 - INSTALL STARTER, FAN ON/OFF SWITCH AND LIGHTS SUPPLIED WITH HOOD. STARTER FUSED TO HOOD.
 - FAN SHALL BE INTERLOCKED WITH COOKING APPLIANCE AND AUTOMATICALLY ACTIVATED WHEN COOKING OPERATIONS OCCUR. REFER TO ESD-35 & ESD-35A.
 - PROVIDE NEW NEMA 3R GUTTER AND DISCONNECTS AS SHOWN. REFER DETAIL #03 ON SHEET E5.2.1 FOR ADDITIONAL INFORMATION.
 - DEMOLISH EXISTING PANEL. DEMOLISH ASSOCIATED FEEDER AND BRANCH CIRCUITS BACK TO SOURCE. UTILIZE EXISTING FUSED SWITCH TO FEED NEW PANEL BOARD. PROVIDE FEEDER AS SHOWN. REFER TO WIRE SCHEDULE FOR FEEDER DETAILS.
 - EXISTING PROTOCOL PANEL/CONTROL BOARD TO BE DEMOLISHED.
 - DEMOLISH EXISTING FEEDER AND BRANCH CIRCUITS ETC BACK TO SOURCE. UTILIZE EXISTING FUSED SWITCH TO FEED NEW PANEL BOARD. PROVIDE FEEDER AS SHOWN. REFER TO WIRE SCHEDULE FOR FEEDER DETAILS.
 - EXISTING PROTOCOL PANEL/CONTROL BOARD TO BE DEMOLISHED.
 - DEMOLISH EXISTING FEEDER AND BRANCH CIRCUITS ETC BACK TO SOURCE. UTILIZE EXISTING FUSED SWITCH TO FEED NEW PANEL BOARD. PROVIDE FEEDER AS SHOWN. REFER TO WIRE SCHEDULE FOR FEEDER DETAILS.
 - EXISTING PANEL BOARD TO BE REPLACED IN SAME LOCATION, PROVIDE NEW FEEDER AS SHOWN. FOR ADDITIONAL INFORMATION REFER PANEL SCHEDULE.
 - EXISTING PROTOCOL PANEL/CONTROL BOARD TO BE DEMOLISHED. DEMOLISH EXISTING FEEDER AND BRANCH CIRCUITS ETC BACK TO SOURCE. UTILIZE EXISTING FUSED SWITCH TO FEED NEW PANEL BOARD. PROVIDE FEEDER AS SHOWN. REFER TO WIRE SCHEDULE FOR FEEDER DETAILS.
 - EXISTING PROTOCOL PANEL/CONTROL BOARD TO BE DEMOLISHED.
 - DEMOLISH EXISTING FEEDER AND BRANCH CIRCUITS ETC BACK TO SOURCE. UTILIZE EXISTING FUSED SWITCH TO FEED NEW PANEL BOARD. PROVIDE FEEDER AS SHOWN. REFER TO WIRE SCHEDULE FOR FEEDER DETAILS.
 - FIT NEW FUSES TO EXISTING FUSED SWITCH. FUSE TYPE TO MATCH EXISTING, RATING AS SHOWN.
 - NEW SCREENED TRANSFORMER WITH INSULATED GROUND FOR CLEAN POWER CIRCUITS.
 - PROVIDE NEW NEMA 3R GUTTER AND DISCONNECTS AS SHOWN. REFER DETAIL #03 ON SHEET E5.2.1 FOR ADDITIONAL INFORMATION.
 - DEMOLISH EXISTING FEEDER AND BRANCH CIRCUITS ETC. FEEDERS FROM PROTOCOL TO REMOTE ROOF TOP CONDENSERS, CONTROLS AND BRANCH CIRCUITS ETC.
 - PROVIDE 65KA PER MODE WALL MOUNTED LISTED MEDIUM EXPOSURE SURGE PROTECTION DEVICE SIMILAR AND EQUAL TO GE TRANQUILL TME480D05W.
 - PROVIDE SHUNT TRIP ACTIVATED MAIN BREAKER WITH EXTERNAL TRIP BUTTON TRIP BUTTON/SWITCH IN PAD-LOCKABLE NEMA 3R ENCLOSURE. ALL TO OXFORD ELECTRIC DEPARTMENT'S REQUIREMENTS/SPECIFICATIONS.
 - PROVIDE NEW FUSED SWITCH AS SHOWN IN EXISTING SPACE.
 - EXISTING FUEL STATION PANEL BOARD. PROVIDE NEW FEEDER AS SHOWN AND CONNECT TO EXISTING PANEL. EXISTING FEEDER TO BE DEMOLISHED SECONDARY CONNECTION CABINET PROVIDED BY UTILITY COMPANY. INSTALLED BY GC. THE CONTRACTOR TO COORDINATE WITH BOTH THE A/E AND THE UTILITY COMPANY WITH REGARD TO FINAL EQUIPMENT AND NEUTRAL GROUNDING ARRANGEMENT AND SIZE. PRIOR TO ROUGH IN.

SINGLE LINE DIAGRAM - LEGEND (DISREGARD ITEMS NOT USED)		CIRCUIT DEVICE FITTED WITH PADLOCK IN ON/OFF POS.		PANEL BOARD. REFER PANEL SCHEDULES FOR DETAILS. DASH LINE INDICATES PANEL SUPPLIED BY TENANTS/OTHERS		VARIABLE SPEED DRIVE PROVIDED BY OTHERS INSTALLED AND CONNECTED BY CONTRACTOR.		UNINTERRUPTIBLE POWER SUPPLY. REFER SCHEDULE/S FOR DETAILS	
[Symbol]	SERVICE ENTRY POINT. COORDINATE QUANTITY, TYPE AND LOCATION OF SERVICE CABLES AND ALLOW FOR LUGS AND TERMINATIONS AS REQUIRED BY UTILITY CO.	[Symbol]	GROUND FAULT RELAY FITTED TO BREAKER	[Symbol]	REFRIGERATION PROTOCOL UNIT BY REFRIGERATION CONTRACTOR. GEN CONTRACTOR TO ALLOW FOR: 1. CONNECT INCOMING SUPPLY 2. FURSH AND INSTALL MAIN 3. DISCONNECT CONDUIT AND CU WIRE FROM DISCONNECT TO PROTOCOL 4. CONNECTION OF EXTERNAL TX AS REQUIRED 5. CONDUIT AND WIRE FROM PROTOCOL TO VSD 6. CONDUIT AND WIRE FROM VSD TO COMPRESSOR	[Symbol]	DIRECT CONNECTION TO EQUIPMENT WITH MARK/D, RATING AND POLES AS INDICATED.	[Symbol]	QUICK CONNECT TOWER WITH 4 SETS OF SOCKETS FOR CONNECTION OF PORTABLE GENERATOR. RATING TO MATCH UPSTREAM BREAKER INDICATED
[Symbol]	UTILITY CO. SERVICE TRANSFORMER AND METER. COORDINATE LOCATION OF TRANSFORMER/S AS REQUIRED BY UTILITY CO.	[Symbol]	ISOLATING POWER TRANSFORMER. REFER SCHEDULES FOR KVA, VOLTAGE AND OTHER RATINGS ETC.	[Symbol]	FACTORY SUPPLIED REMOTE DEFOUST PANEL. CONTRACTOR TO INSTALL WITHIN 20' OF PROTOCOL AND CONNECT TO PROTOCOL VIA CONDUIT AND WIRE AS INDICATED.	[Symbol]	DISCONNECT SWITCH WITH MARK/D, RATING ETC AS INDICATED. DASH LINE INDICATES SUPPLIED BY TENANTS/OTHERS	[Symbol]	PORTABLE GENERATOR QUICK CONNECT TOWER
[Symbol]	PANEL BUSBARS WITH RATING AS INDICATED. PROVIDE FULL SIZE NEUTRAL PROVIDE LABEL WITH AIC PER NEC110.24	[Symbol]	AUTOMATIC TRANSFER SWITCH. AMPS, VOLTAGE, # OF POLES AND AIC RATINGS AS INDICATED	[Symbol]	GROUND BAR RUNNING FULL LENGTH OF BOARD CONNECTED TO GROUND ROD/S VIA CONDUCTOR. SIZE AS INDICATED	[Symbol]	FUSED DISCONNECT SWITCH WITH MARK/D, RATING, POLES, FUSE SIZE AND NEMA CLASS AS INDICATED	[Symbol]	
[Symbol]	COMBINATION FUSED SWITCH WITH FRAME SIZE AND # OF POLES AND FUSE AMPERAGE AS INDICATED.	[Symbol]	NEMA 3R WIRING GUTTER. REFER PLAN DRAWINGS FOR MOUNTING LOCATION. SIZE AS REQUIRED	[Symbol]		[Symbol]	COMBINATION MOTOR OVERLOAD AND DISCONNECT SWITCH WITH MARK/D AND RATINGS AS INDICATED	[Symbol]	
[Symbol]	AIR CIRCUIT BREAKER WITH TRIP RATING AND # OF POLES AS INDICATED.	[Symbol]	STANDBY GENERATOR. REFER SCHEDULES FOR KVA, VOLTAGE AND OTHER RATINGS ETC.	[Symbol]		[Symbol]	MOTOR LOAD. MARK/D AND RATINGS AS INDICATED	[Symbol]	
[Symbol]	WIRE ID. REFER WIRE SCHEDULE FOR CONDUIT AND WIRE DETAILS. F DENOTES 2HR FIRE RATED DCK	[Symbol]		[Symbol]		[Symbol]	INDICATES PRESENCE OF LIGHTING CONTACTOR/S CONTROLLED BY EMS (ESD-13) - REFER PANEL AND CONTACTOR SCHEDULE/S	[Symbol]	

01 SINGLE LINE ELECTRICAL DIAGRAM
SCALE: NTS

Kroger
KROGER
STORE #473
2013 UNIVERSITY AVENUE
OXFORD, MISSISSIPPI 38655
A DEVELOPMENT OF THE KROGER COMPANY

naos
Naos Design Group Of Mississippi, PLLC.
MARC BREETZ, ARCHITECT
645 Lakeland East Drive Suite 101
Flowood, Mississippi 39232
(p) 303.759.5777
(f) 720.360.4281
ARCHITECT OF RECORD

CDS
COMMERCIAL DESIGN SYSTEMS, INC.
1825 SW GALLERIE DRIVE
SHERWOOD, OREGON 97140
503.855.7000 (P)503.855.8902
INTERIOR DECOR

Pickering
Pickering Firm, Inc.
Architecture - Engineering
Planning - Surveying
6775 Lenox Center Court, Suite 300
Memphis, TN 38115
901.728.8810
ENGINEER OF RECORD:
STRUCTURAL
MECHANICAL
ELECTRICAL
CIVIL ENGINEER

V/SOFT
INFRASTRUCTURE
11280 CHESTER ROAD
CINCINNATI, OH 45240
T: 513-990-3810
LOW VOLTAGE

telgian
TELGIAN CORPORATION
10230 SOUTH 60TH PLACE
SUITE 100
PHOENIX, AZ 85044
T: (677) 836-4426
HTTP://WWW.TELGIAN.COM
FIRE PROTECTION

ISSUE LOG		
NO.	REV.	DESCRIPTION
1	0	PERMIT SET
2	0	BID SET

JOB NO. 2019041 SCALE AS SHOWN
SHEET NO. E6.2
SINGLE LINE ELECTRICAL DIAGRAM
Copyright © 2019 Naos Design Group of Mississippi, PLLC. THESE DRAWINGS ARE THE PROPERTY OF NAOS DESIGN GROUP OF MISSISSIPPI, PLLC. ANY REPRODUCTION OR TRANSMISSION OF THESE DRAWINGS WITHOUT THE WRITTEN CONSENT OF NAOS DESIGN GROUP OF MISSISSIPPI, PLLC IS STRICTLY PROHIBITED.