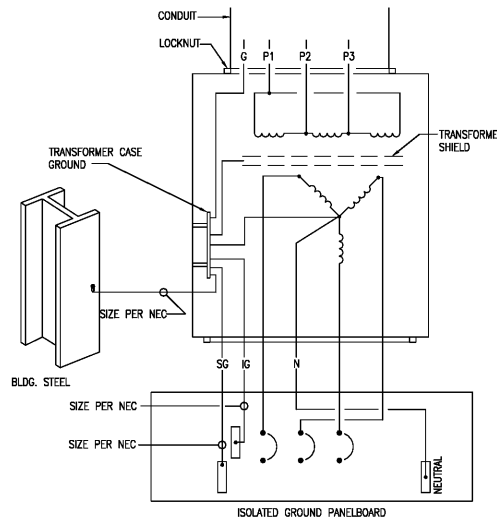
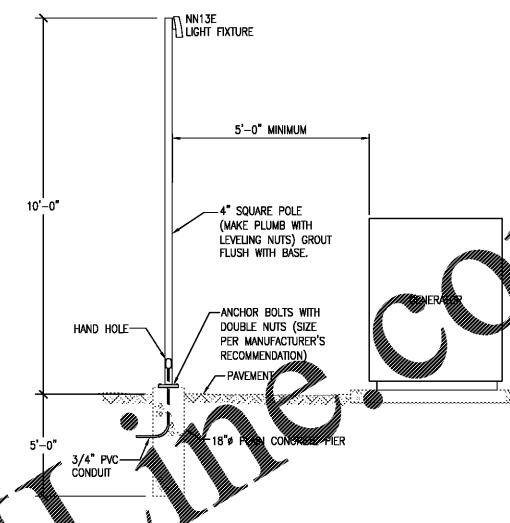


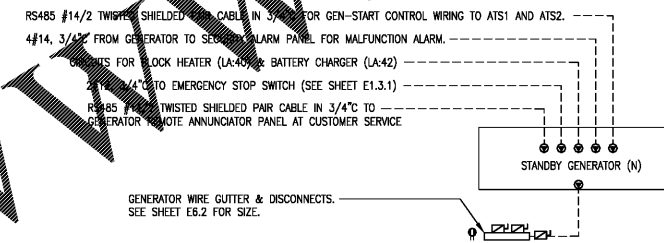
04 SITE LIGHTING CONTROL SCHEMATIC
SCALE: NOT TO SCALE



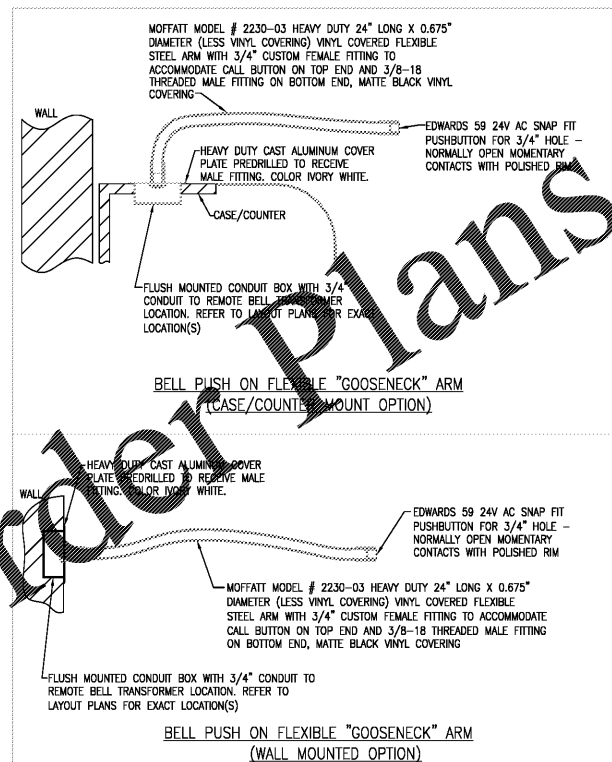
05 ISOLATION TYPE TRANSFORMER DETAIL
SCALE: NOT TO SCALE



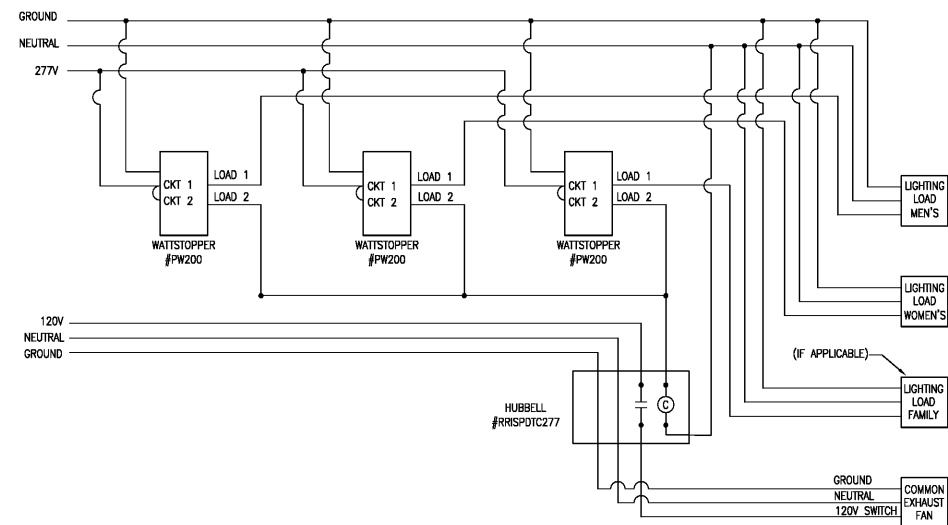
06 GENERATOR POLE LIGHT DETAIL
SCALE: NOT TO SCALE



03 GENERATOR WIRING DIAGRAM
SCALE: NOT TO SCALE



01 BELL PUSH DETAIL
SCALE: NOT TO SCALE



02 RESTROOM EF AND 277V LIGHTING CONTROL WIRING DIAGRAM
SCALE: NOT TO SCALE



KROGER
STORE #473

2013 UNIVERSITY AVENUE
OXFORD, MISSISSIPPI 38655

A DEVELOPMENT OF
THE KROGER COMPANY

naos
Naos Design Group Of Mississippi, PLLC.

MARC BREETZ
ARCHITECT

645 Lakeland East Drive
Suite 101
Flowood, Mississippi 39232
(p) 303.759.5777
(f) 720.360.4281

ARCHITECT OF RECORD



COMMERCIAL DESIGN SYSTEMS, INC.

13825 SW GALBREATH DRIVE
SHERWOOD, OREGON 97140
503.855.7000 (P)503.855.8902

INTERIOR DESIGN



Pickering Firm, Inc.
Architecture - Engineering
Planning - Surveying

6775 Lenox Center Court, Suite 300
Memphis, TN 38115
901.726.8810

ENGINEER OF RECORD:

STRUCTURAL
MECHANICAL
ELECTRICAL
CIVIL ENGINEER



11280 CHESTER ROAD
CINCINNATI, OH 45240
T: 513-990-3819
LOW VOLTAGE



TELGIAN CORPORATION
10230 SOUTH 60TH PLACE
SUITE 100
PHOENIX, AZ 85044
T: (602) 836-4426
HTTP://WWW.TELGIAN.COM
FIRE PROTECTION

ISSUE LOG

NO.	REV.	DESCRIPTION	DATE
1	-	PERMIT SET	12/06/18
2	-	BID SET	03/21/19

JOB SCALE

2019041 AS SHOWN

SHEET NO.

E5.2.1
ELECTRICAL DETAILS

COPYRIGHT © 2018 NAOS DESIGN GROUP OF MISSISSIPPI, PLLC. THESE DRAWINGS OR PARTS THEREOF MAY NOT BE REPRODUCED, COPIED, EITHER WHOLLY OR IN PART, WITHOUT THE WRITTEN CONSENT OF NAOS DESIGN GROUP OF MISSISSIPPI, PLLC.