

DIVISION OF RESPONSIBILITIES FOR EXTERIOR/SITE WORKS

CONTRACTOR	UTILITY OWNER	COMMENTS
UTILITY SERVICE		
• PRIMARY WIRE	<input type="checkbox"/>	
• PRIMARY CONDUITS	<input type="checkbox"/>	TO UTILITY CO. REQUIREMENTS
• SECONDARY WIRE TO TRANSFORMER	<input type="checkbox"/>	MAX (4) WIRES 60MCM PER PHASE
• SECONDARY CONDUITS	<input type="checkbox"/>	TO UTILITY CO. REQUIREMENTS
• WIRE TO SECONDARY CABINET	<input type="checkbox"/>	
• CONDUITS TO SECONDARY CABINET	<input type="checkbox"/>	
• TRANSFORMER	<input type="checkbox"/>	
• TRANSFORMER PADS	<input type="checkbox"/>	MINIMUM 4' FROM EXTERIOR WALL
• METER	<input type="checkbox"/>	
• METERING CONDUIT	<input type="checkbox"/>	TO UTILITY REQUIREMENTS
• CT'S	<input type="checkbox"/>	
• CT CABINET	<input type="checkbox"/>	NOT REQUIRED
• PRIMARY DISCONNECT SWITCH	<input type="checkbox"/>	
• TRANSFORMER INSTALL.	<input type="checkbox"/>	
• PRIMARY TERMINATIONS IN TRANS	<input type="checkbox"/>	
• SECONDARY TERMINATIONS IN TRANS	<input type="checkbox"/>	
GENERATORS		
• GENERATOR	<input type="checkbox"/>	
• GENERATOR PAD	<input type="checkbox"/>	
SITE LIGHTING		
• BASES	<input type="checkbox"/>	
• LIGHT FIXTURES AND POLES	<input type="checkbox"/>	
• CONDUIT	<input type="checkbox"/>	
• WIRING	<input type="checkbox"/>	
SURVEILLANCE		
• CAMERAS	<input type="checkbox"/>	
• CONDUIT	<input type="checkbox"/>	
• WIRING/CABLING	<input type="checkbox"/>	

NOTE: THE CONTRACTOR SHALL STUB UP ALL CONDUITS INTO NEW LOCATIONS AND STOPPED 3" 0" FROM EXISTING JUNCTION UTILITY BOXES STRUCTURES.

QUANTITY	TAG	ARRANGEMENT	MOUNTING	HEIGHT	LLF	DESCRIPTION	VOLTAGE	LUM. WAITS	TOTAL WAITS	LUM. LUMENS
3	LDA51	SINGLE	POLE	25'	0.912	GLEON-AF-05-LED-E1-T3-BZ-DIM	277	279	837	29756
2	LDB51	SINGLE	POLE	25'	0.912	GLEON-AF-05-LED-E1-T4FT-BZ-DI	277	279	558	29929
3	LDB71	SINGLE	POLE	25'	0.912	GLEON-AF-07-LED-E1-T4FT-BZ-DI	277	391	1173	42356
8	LDC21	SINGLE	POLE	25'	0.912	GPC-AF-02-LED-E1-T2-BZ-DIM	277	113	904	12190
14	LDC71	SINGLE	POLE	25'	0.912	GLEON-AF-07-LED-E1-SW0-BZ-DIM	277	391	5474	44347
6	LDS52	BACK-BACK	POLE	25'	0.912	QTY 2 GLEON-AF-05-LED-E1-SW0-BZ-DIM	277	279	3348	31253
10	LWA1	SINGLE	WALL	15'	0.912	GWC-AF-01-LED-E1-T3-BZ-WM-DIM	277	59	590	6359

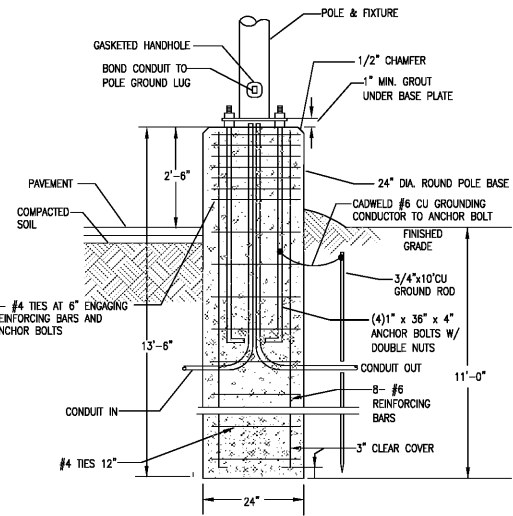
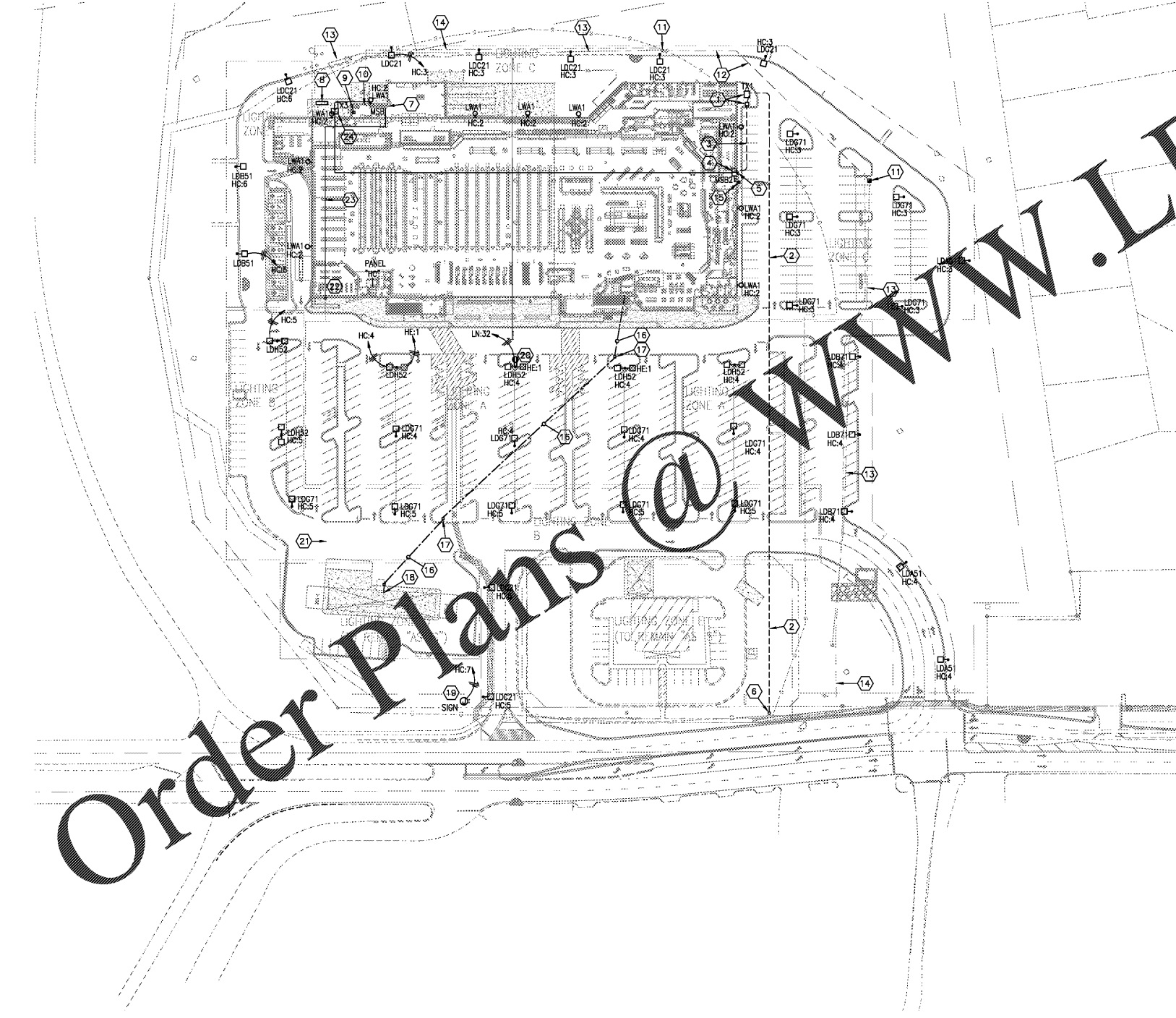
GENERAL NOTES

- ALL UNDERGROUND CONDUITS MUST BE LOCATED BELOW ANY PAVING AND AGGREGATE BASE OR DEEPER IF REQUIRED BY CODE.
- CONTRACTOR TO ESTABLISH CABLE/CONDUIT ROUTES FROM LIGHT POLES BACK TO ELECTRICAL PANEL AND INCLUDE FOR ALL HAND BOXES, PULL BOXES ETC. AS REQUIRED.
- EXISTING FIXTURES AND CIRCUITS SHOWN GRAY.
- FUEL CENTER NOT INCLUDED IN THIS CONTRACT. THE G.C. SHALL COORDINATE THE INSTALLATION'S WITH THE FUEL CENTER CONTRACTOR.
- REFER TO SHEET E2.4 FOR PARKING LIGHTING SWITCHING SCHEDULE.
- SEE CIVIL PLANS CD1 FOR PARKING AREA STREET LIGHTING DEMOLUTIONS.
- SEE LIGHT FIXTURE SCHEDULE ON THIS SHEET FOR LIGHT FIXTURE TYPES AND DETAILS.
- EXTERIOR LIGHTS CONTROLLED VIA EMS SYSTEM THRU CONTACTORS LOCATED AT RESPECTIVE PANEL BOARDS. REFER RESPECTIVE PANEL SCHEDULE FOR CONTACTOR INFORMATION.
- SITE LIGHTING CIRCUITS TO COMPRISE 2#6 THWN CU & #10G IN 1" CONDUIT UNLESS OTHERWISE INDICATOR.
- PROVIDE 3/4" CONDUIT WITH (2)#12 CONDUCTORS IN PARALLEL WITH EACH POLE LIGHTING CIRCUIT. EACH CIRCUIT TO HAVE A DEDICATED 0-10V DIMMER CONTROL SIGNAL FROM THE EMS SYSTEM CONNECTED IN DASHY CHAIN TO EACH FIXTURE - REFER TYPICAL WIRING SCHEMATIC #04 ON SHEET E5.2.1.
- ALL LIGHTING POLES TO HAVE LIGHTS MOUNTED AT 25' ABOVE GRADE. PILES BE EQUAL TO EATON SSS425SF COMPLETE WITH 10" SQUARE WOOD BASE PLATE ON CONCRETE BASE - SEE DETAIL BELOW.
- ALL WALL MOUNTED LIGHT FIXTURES TO BE AT 15'-0" A.F.G. UNLESS OTHERWISE NOTED.

KEYNOTES

- NEW PAD MOUNTED TRANSFORMER AND SECONDARY CABINET PROVIDED BY POWER UTILITY COMPANY. PROVIDE 6" CONC. PAD ACCORDANCE WITH UTILITY COMPANY REQUIREMENTS. COORDINATE ELECTRICAL SERVICE WORK, CONDUIT ROUTING AND UTILITY COMPANY REQUIREMENTS WITH UTILITY COMPANY REPRESENTATIVE OXFORD ELECTRIC DEPARTMENT - MR. MICHAEL STEVENS TEL (662) 232-2376 x 20.
- PROVIDE TWO (2) NEW 6" UNDERGROUND CONDUITS WITH PULL ROPES TO ELECTRICAL UTILITIES SPECIFICATIONS/REQUIREMENTS FOR PRIMARY/MV SERVICE CIRCUIT. PROVIDE VAULTS/JUNCTION/PULL BOXES AS REQUIRED BY UTILITY COMPANY. PROVIDE ELECTRICAL SECONDARY CONDUITS AND FEEDER. REFER SHEET E2 FOR CONDUIT AND WIRE SIZE. PROVIDE NEW 277/480V SWITCHBOARD MSB2 - REFER SHEETS E1.3.2 AND E6.2 FOR ADDITIONAL INFORMATION.
- PROVIDE NEW NEMA 3R PORTABLE GENERATOR QUICK CONNECT BOX - REFER SHEET E6.2 FOR ADDITIONAL INFORMATION.
- PRIMARY CIRCUIT CONDUITS TO STUB UP POLE TO A HEIGHT OF 8'-0" A.F.G.
- PROVIDE NEW EXTERNAL WEATHERPROOF GENERATOR IN WEATHERPROOF ENCLOSURE. REFER SHEET E6.2 FOR ADDITIONAL INFORMATION AND SHEET E6.2.5 FOR GENERATOR SCHEDULE.
- PROVIDE GENERATOR EMERGENCY POWER OFF ADJACENT SWITCH ROOM EGRESS DOOR.
- EXISTING TELEPHONE DEMARICATION BOARD AND INCOMING SERVICE CONDUIT TO BE RETAINED. GENERAL CONTRACTOR TO IDENTIFY AND PROTECT MAIN PHONE SERVICE CONDUITS AND EQUIPMENT AT ALL TIMES.
- EXISTING IN-GROUND TELEPHONE UTILITY PULL BOXES. NEW CONDUITS TOO BE INSTALLED BETWEEN PULL BOXES TO DIVERS INCOMINGS UTILITY TELEPHONE CIRCUITS AWAY FROM DEMOLISHED BUILDINGS.
- PROVIDE NEW 4" UNDERGROUND TELEPHONE SERVICE CONDUITS WITH PULL ROPES AS SHOWN.
- EXISTING UNDERGROUND TELEPHONE SERVICE CONDUITS TO REMAIN.
- EXISTING UNDERGROUND ELECTRIC PRIMARY SERVICE CONDUITS TO BE ABANDONED AFTER TRANSFER OF SERVICE TO NEW TRANSFORMER.
- SHUNT TRIP TO MAIN SECONDARY DISCONNECT IN MSB2. PROVIDE KNOX BOX TO COVER SHUNT TRIP SWITCH. VERIFY DETAILS WITH FIRE DEPARTMENT, UTILITY COMPANY AND AHA. KNOX BOX IS ONLY APPROVED COVER/LOCK!!
- PROVIDE TWO (2) CONDUITS WITH THREE PULL STRINGS IN EACH FROM EDR ROOM TO FUEL CENTER FOR TELE/COMM. SEE ESD-61 - VERIFY CONDUIT ROUTING AND STUB OUT LOCATIONS AT BOTH THE FUEL CENTER SITE AND STORE WITH TELE/COMMS CONTRACTOR.
- PROVIDE JUNCTION BOX, SIZE AS REQUIRED WITH TRAFFIC COVER FOR CONNECTION OF STUB OUTS FOR CONDUIT TO FUEL CENTER TELE/COMM. COORDINATE EXACT LOCATION WITH OWNER'S PROJECT MANAGER AND CIVIL PLANS.
- EXTEND NEW CONDUITS TO EXISTING FUEL CENTER TELE/COMMS DEMARICATION BOARDS.
- NEW MONUMENT SIGN. (2)#8 + #10G, 1" SCHEDULE 80 PVC CONDUIT. PROVIDE SURFACE MOUNTED W/C GFI RECEPTACLE AT 18" AFF AT ANCHOR BASE OF POLE FOR SEASONAL DISPLAYS.
- EXISTING UNDERGROUND FEED TO FUEL CENTER TO BE REUSED.
- INTERCEPT EXISTING CONDUIT IN CEILING PLENUM AND PROVIDE JUNCTION BOX.
- EXTEND EXISTING FEED TO MSB - REFER TO SHEET E6.2.
- NEW OUTDOOR PAD MOUNTED TRANSFORMER. PROVIDE CONCRETE PAD TO MANUFACTURER'S RECOMMENDATIONS. REFER SINGLE LINE DIAGRAM AND TRANSFORMER SCHEDULE FOR ADDITIONAL INFORMATION.

Order Plans @ www.LDILLINO.com



- NOTES:
- PROVIDE FUSEHOLDER IN HANDHOLE OF POLE SECURE HANDHOLE COVER. FUSEHOLDER SHALL BE BUSSMAN "IRON" NO. HEB-JK RYC WITH WEATHERPROOF BOOT AND 20 AMP "KIX" FUSE FOR EACH UNGROUNDED CONDUCTOR. SECURELY TAPE OVER COMPLETE HOLDER TO INSULATE FROM METAL PARTS.
 - PROVIDE #12 AWG INSULATED WIRING FROM FUSEHOLDER TO FIXTURE. PROVIDE #12 GROUND FROM POLE BASE GROUND LUG TO FIXTURE HOUSING AND GROUND METAL PARTS.
 - PERMANENT WEATHERPROOF LABELS SHALL IDENTIFY ALL ELECTRICAL EQUIPMENT FURNISHED BY THIS CONTRACTOR.
 - TOP 6" OF BASE TO HAVE 2 COATS "HIGHWAY YELLOW" PAINT FOR ANY BASE LOCATED IN PARKING FIELD OR IN REACH OF VEHICULAR TRAFFIC.

01 SITE ELECTRICAL PLAN SCALE: 1" = 50'-0"



KROGER STORE #473

2013 UNIVERSITY AVENUE OXFORD, MISSISSIPPI 38655

A DEVELOPMENT OF THE KROGER COMPANY



Naos Design Group of Mississippi, PLLC.

MARC BREETZ, ARCHITECT

645 Lakeland East Drive Suite 101 Flowood, Mississippi 39232 (p) 303.759.5777 (f) 720.360.4281

ARCHITECT OF RECORD



INTERIOR DECOR



Pickering Firm, Inc. Architecture - Engineering Planning - Surveying

ENGINEER OF RECORD: STRUCTURAL MECHANICAL ELECTRICAL CIVIL ENGINEER



11200 CHESTER ROAD CINCINNATI, OH 45248 T: 513-896-3810 LOW VOLTAGE



TELGIAN CORPORATION 10230 SOUTH 60TH PLACE SUITE 100 PHOENIX, AZ 85044 T: (677) 836-4426 HTTP://WWW.TELGIAN.COM FIRE PROTECTION

ISSUE LOG

NO.	REV.	DESCRIPTION	DATE
1	-	PERMIT & BID SET	12/06/18

JOB: 2018041 SCALE: AS SHOWN SHEET NO.:

E1.6 SITE ELECTRICAL PLAN

COPYRIGHT © 2018 NAOS DESIGN GROUP OF MISSISSIPPI, PLLC. THESE DRAWINGS OR PARTS THEREOF MAY NOT BE REPRODUCED, COPIED, OR TRANSMITTED IN ANY FORM OR BY ANY MEANS, ELECTRONIC OR MECHANICAL, WITHOUT PRIOR WRITTEN CONSENT FROM NAOS.