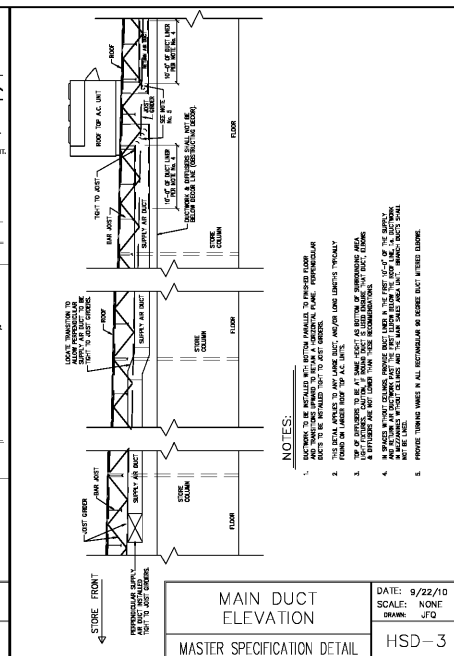


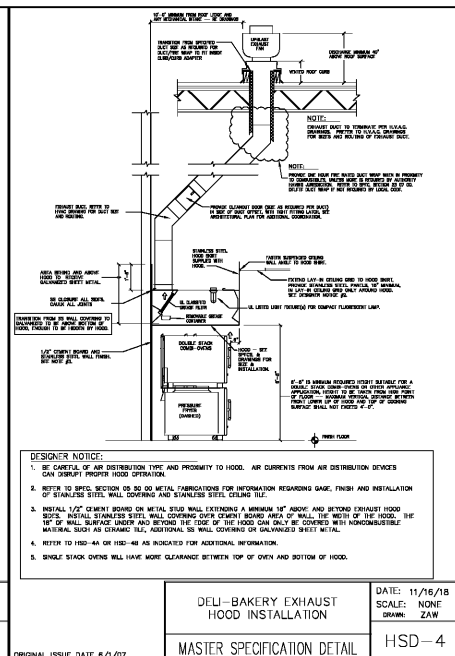
NOTES:

1. HOOD DIFFUSER LEANER ANGLE OF DEFLECTION MUST BE ADJUSTED TO THE SUPPLY AIR JOBS.
2. PROVIDE SUPPLY AIR RETURN AIR CONNECTIONS WITH LEAKS SEE SPECIFICATIONS.
3. PROVIDE TURNING UNITS IN ALL RECTANGULAR AIR DUCTS WITH 90 DEGREE ELBOWS.

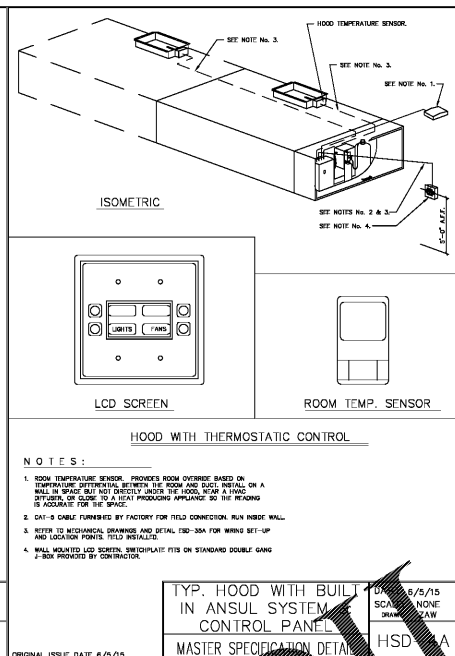
DATE: 2/13/17
SCALE: NONE
DATE: 2/13/17
SCALE: NONE
DATE: 2/13/17
SCALE: NONE



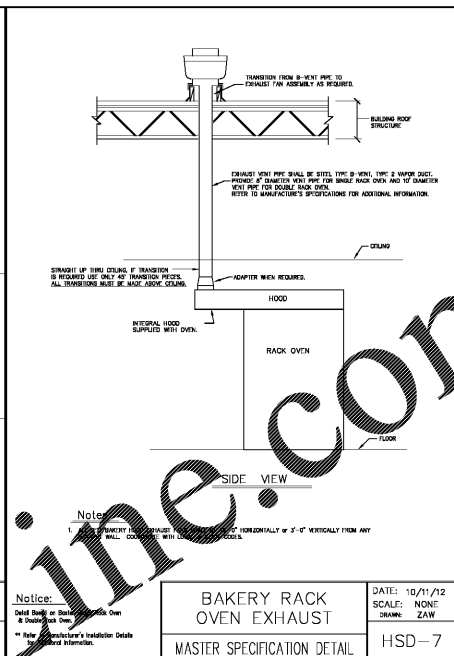
DATE: 9/22/10
SCALE: NONE
DATE: 9/22/10
SCALE: NONE



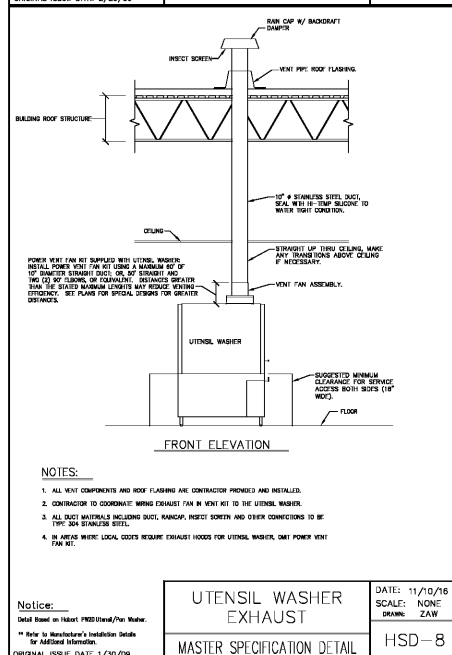
DATE: 11/16/18
SCALE: NONE
DATE: 11/16/18
SCALE: NONE



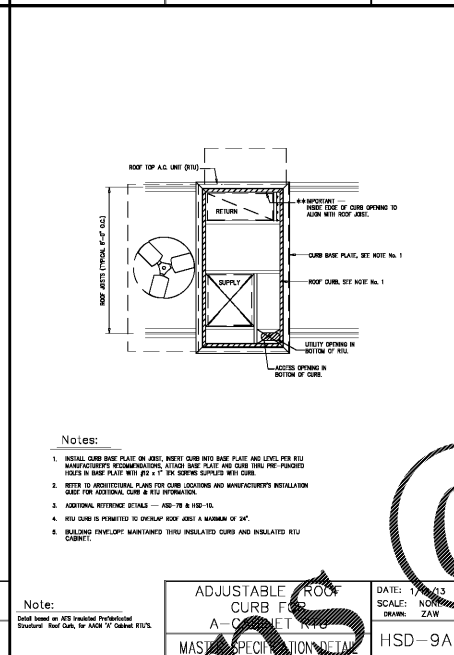
DATE: 8/9/15
SCALE: NONE
DATE: 8/9/15
SCALE: NONE



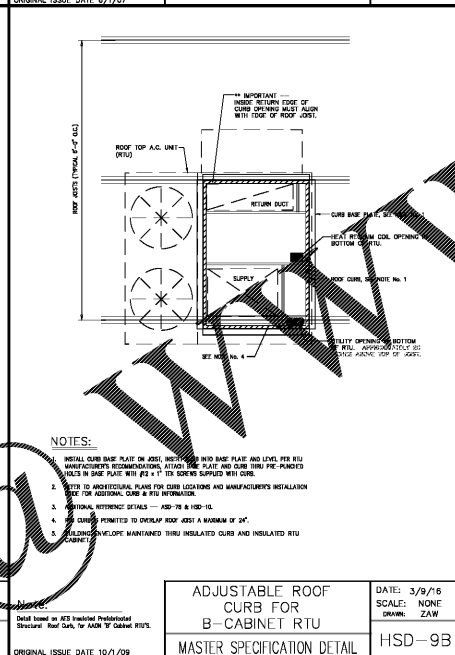
DATE: 10/11/12
SCALE: NONE
DATE: 10/11/12
SCALE: NONE



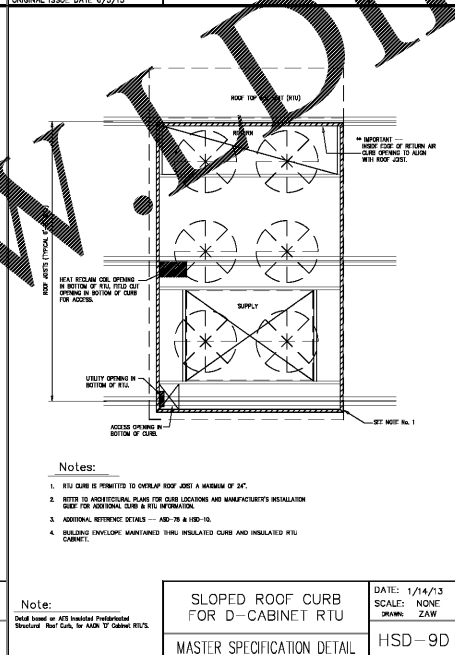
DATE: 11/10/16
SCALE: NONE
DATE: 11/10/16
SCALE: NONE



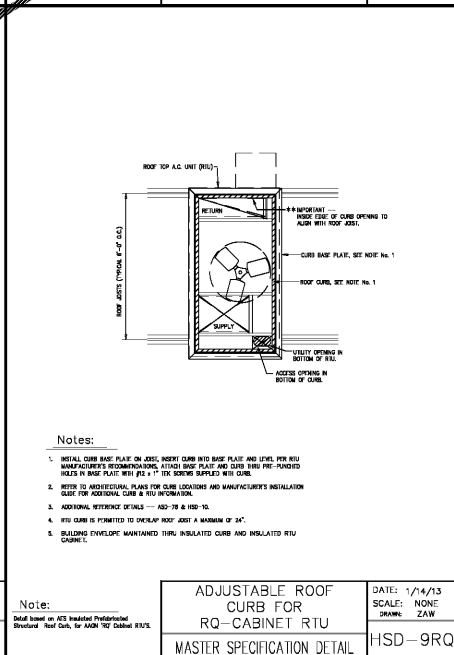
DATE: 11/10/13
SCALE: NONE
DATE: 11/10/13
SCALE: NONE



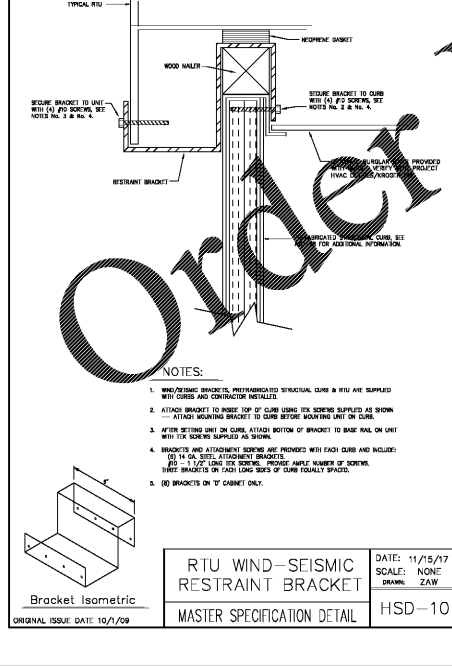
DATE: 3/9/16
SCALE: NONE
DATE: 3/9/16
SCALE: NONE



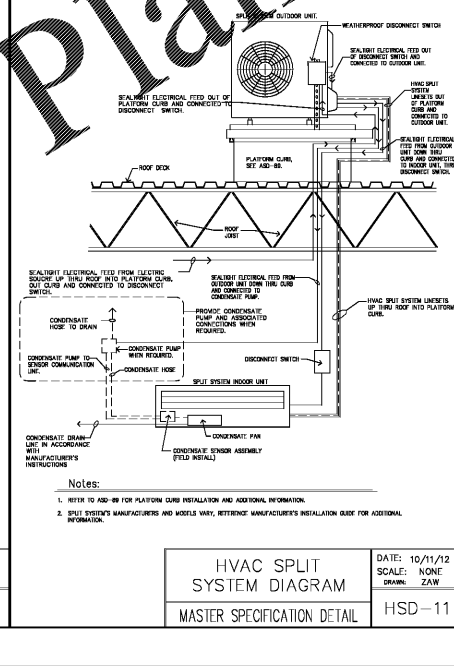
DATE: 1/14/13
SCALE: NONE
DATE: 1/14/13
SCALE: NONE



DATE: 1/14/13
SCALE: NONE
DATE: 1/14/13
SCALE: NONE



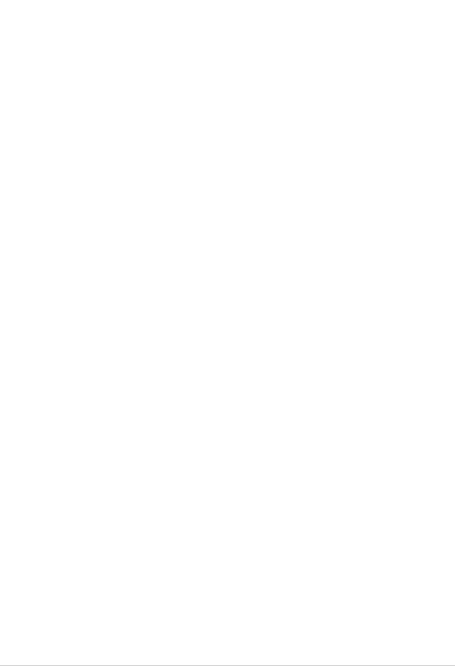
DATE: 11/15/17
SCALE: NONE
DATE: 11/15/17
SCALE: NONE



DATE: 10/11/12
SCALE: NONE
DATE: 10/11/12
SCALE: NONE



DATE: 10/11/12
SCALE: NONE
DATE: 10/11/12
SCALE: NONE



DATE: 10/11/12
SCALE: NONE
DATE: 10/11/12
SCALE: NONE



DATE: 10/11/12
SCALE: NONE
DATE: 10/11/12
SCALE: NONE

Kroger
KROGER
STORE #473
2013 UNIVERSITY AVENUE
OXFORD, MISSISSIPPI 38655
A DEVELOPMENT OF THE KROGER COMPANY

naos
Naos Design Group Of Mississippi, PLLC.
MARC BREETZ, ARCHITECT
645 Lakeland East Drive Suite 101
Flowood, Mississippi 39232
(p) 303.759.5777
(f) 720.360.4281
ARCHITECT OF RECORD

CDS
COMMERCIAL DESIGN SYSTEMS, INC.
13825 SW GALLBREATH DRIVE
SHERWOOD, OREGON 97140
503.855.7000 (P)503.855.8902
INTERIOR DECOR

Pickering
Pickering Firm, Inc.
Architectural Engineering
Planning - Surveying
6775 Lenox Center Court, Suite 300
Memphis, TN 38115
901.726.8810
ENGINEER OF RECORD:
STRUCTURAL
MECHANICAL
ELECTRICAL
CIVIL ENGINEER

V-SOFT
INFRASTRUCTURE
11280 CHESTER ROAD
CINCINNATI, OH 45240
T: 513-990-3810
LOW VOLTAGE

telgian
TELGIAN CORPORATION
10230 SOUTH 50TH PLACE
SUITE 100
PHOENIX, AZ 85044
T: (677) 836-4426
HTTP://WWW.TELGIAN.COM
FIRE PROTECTION

ISSUE LOG

NO.	REV.	DESCRIPTION	DATE
1	-	PERMIT SET	12/06/18
2	-	BID SET	03/21/19

JOB: 2019041 SCALE: AS SHOWN
SHEET NO.

M5.1
HVAC STANDARD DETAILS (HSD)

COPYRIGHT © 2018 NAOS DESIGN GROUP OF MISSISSIPPI, PLLC. THESE DRAWINGS ARE THE PROPERTY OF NAOS DESIGN GROUP OF MISSISSIPPI, PLLC. NO PART OF THESE DRAWINGS MAY BE REPRODUCED OR TRANSMITTED IN ANY FORM OR BY ANY MEANS, WITHOUT PRIOR WRITTEN CONSENT FROM NAOS DESIGN GROUP OF MISSISSIPPI, PLLC.