



KROGER STORE #473

2013 UNIVERSITY AVENUE OXFORD, MISSISSIPPI 38655

A DEVELOPMENT OF THE KROGER COMPANY

naos Naos Design Group Of Mississippi, PLLC.

MARC BREITZ ARCHITECT 645 Lakeland East Drive Suite 101 Flowood, Mississippi 39232 (p) 303.759.5777 (f) 720.360.4281

ARCHITECT OF RECORD



13825 SW GALLERIE DRIVE HERWOOD, OREGON 97148 503.855.7000 (p) 503.855.8902

INTERIOR DECOR



6775 Lenox Center Court, Suite 300 Memphis, TN 38115 (901) 728-0810

ENGINEER OF RECORD: STRUCTURAL MECHANICAL ELECTRICAL CIVIL ENGINEER



11280 CHESTER ROAD CINCINNATI, OH 45240 T: 513-900-3819 LOW VOLTAGE



10230 SOUTH 50TH PLACE SUITE 100 PHOENIX, AZ 85044 T: 6771-836-4426 HTTP://WWW.TELGIAN.COM

FIRE PROTECTION

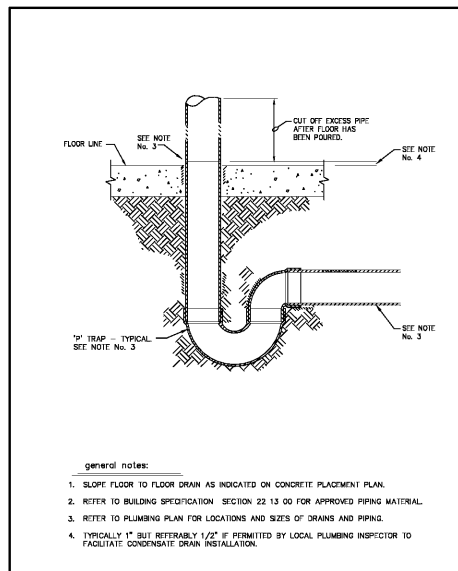
ISSUE LOG

Table with 3 columns: NO, REV, DESCRIPTION, DATE. Contains 2 rows of revision data.

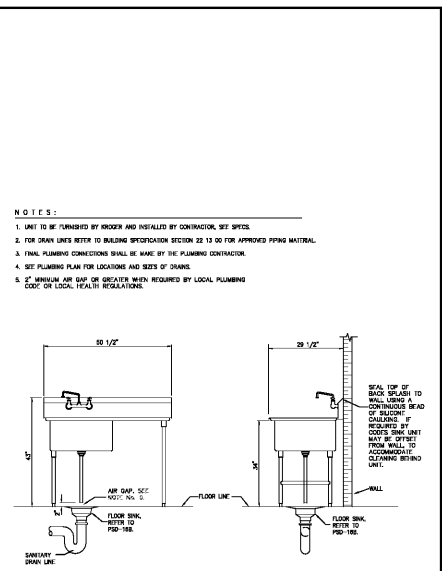
JOB: 2019011 SCALE: AS SHOWN SHEET NO.

P5.1 PLUMBING STANDARD DETAILS

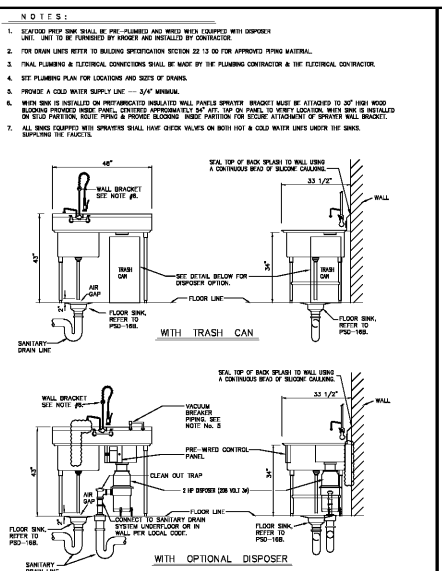
Copyright © 2018 Naos Design Group of Mississippi, PLLC. All rights reserved. This document is the property of Naos Design Group of Mississippi, PLLC. It is to be used only for the project and location specified. No part of this document may be reproduced without prior written consent of Naos Design Group of Mississippi, PLLC.



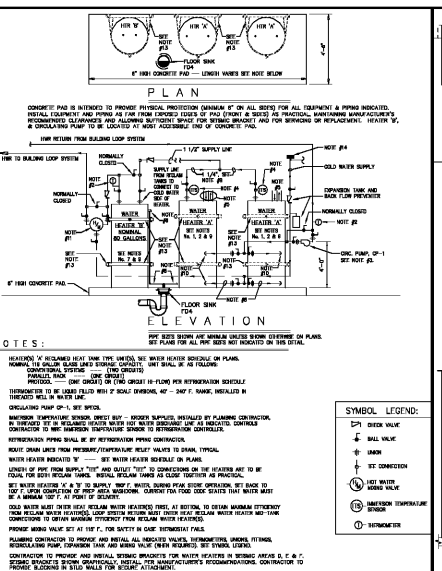
CONDENSATE DRAIN DETAIL DATE: 11/15/17 SCALE: NONE DRAWN: ZAW MASTER SPECIFICATION DETAIL PSD-1 ORIGINAL ISSUE DATE: 2/20/08



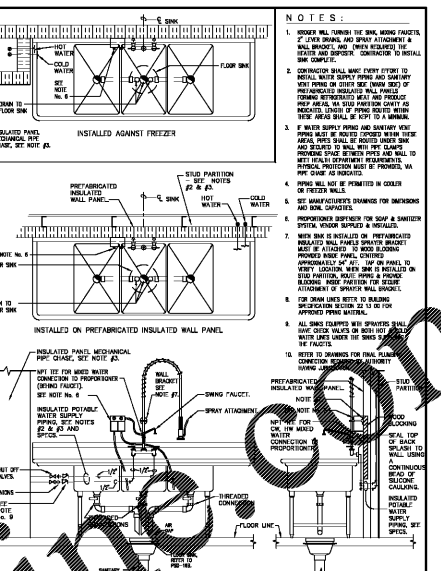
1-COMPARTMENT SINK DATE: 11/15/17 SCALE: NONE DRAWN: DCS/ZAW MASTER SPECIFICATION DETAIL PSD-5A ORIGINAL ISSUE DATE: 2/20/08



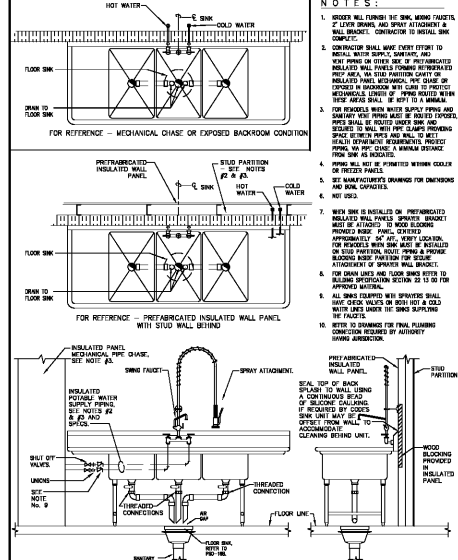
SEAFOOD PREP SINK DATE: 10/11/12 SCALE: NONE DRAWN: ZAW MASTER SPECIFICATION DETAIL PSD-5S ORIGINAL ISSUE DATE: 2/20/08



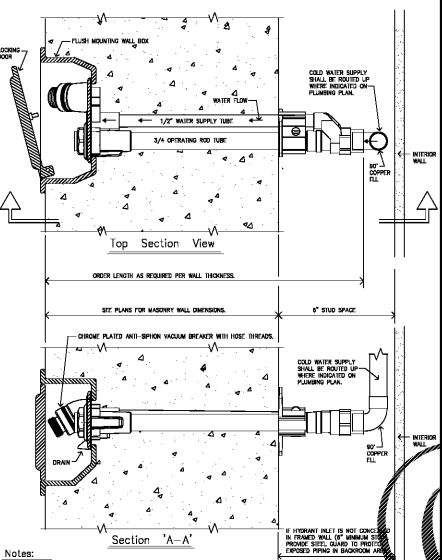
RECIRCULATING HOT WATER PIPING SCHEMATIC FOR RECLAIM HEAT TANK(S) APPLICATIONS DATE: 7/10/15 SCALE: NONE DRAWN: ZAW MASTER SPECIFICATION DETAIL PSD-1R ORIGINAL ISSUE DATE: 2/20/08



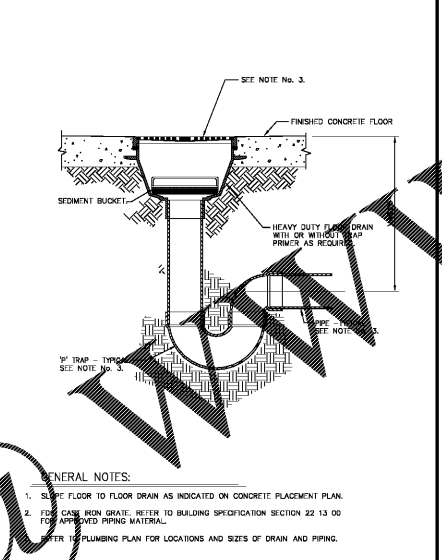
3-COMP UTENSIL WASHING SINK DATE: 3/19/19 SCALE: NONE DRAWN: ZAW MASTER SPECIFICATION DETAIL PSD-7 ORIGINAL ISSUE DATE: 11/20/11



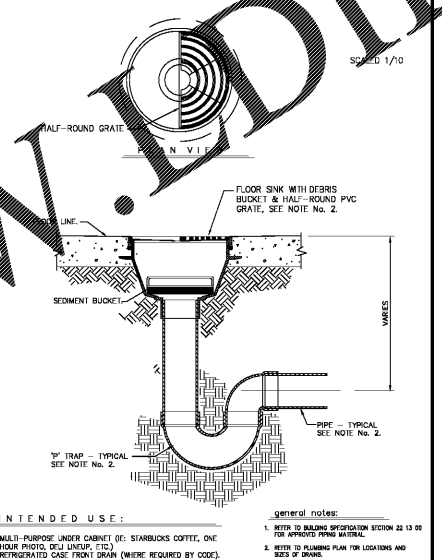
3-COMP CONDITIONING SINK FOR FOOD PREP DATE: 3/19/19 SCALE: NONE DRAWN: TAW/ZAW MASTER SPECIFICATION DETAIL PSD-7A ORIGINAL ISSUE DATE: 11/20/11



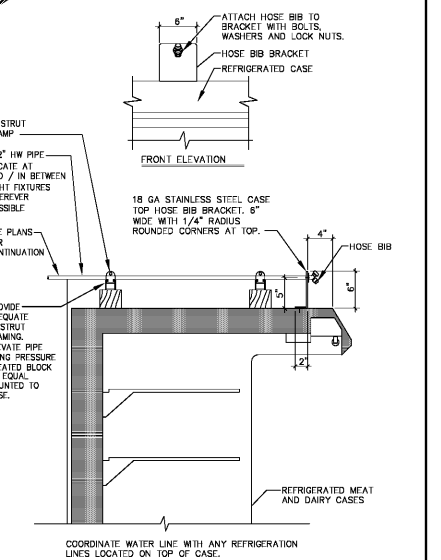
EXTERIOR WALL HYDRANT DATE: 1/17/11 SCALE: NONE DRAWN: DCS MASTER SPECIFICATION DETAIL PSD-15D ORIGINAL ISSUE DATE: 11/20/11



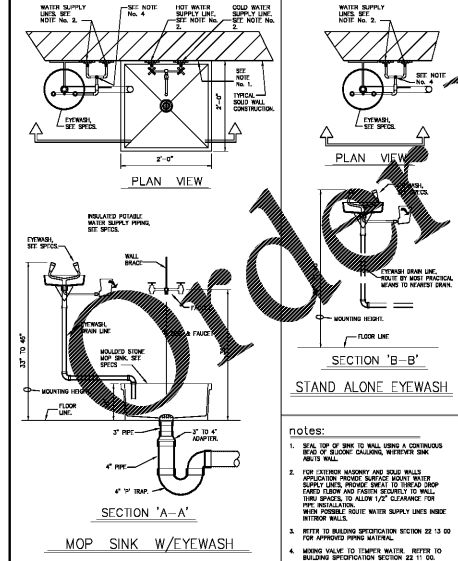
TYPICAL HEAVY DUTY FLOOR DRAIN WITH DEBRIS BUCKET DATE: 3/13/12 SCALE: NONE DRAWN: ZAW MASTER SPECIFICATION DETAIL PSD-16 ORIGINAL ISSUE DATE: 11/20/11



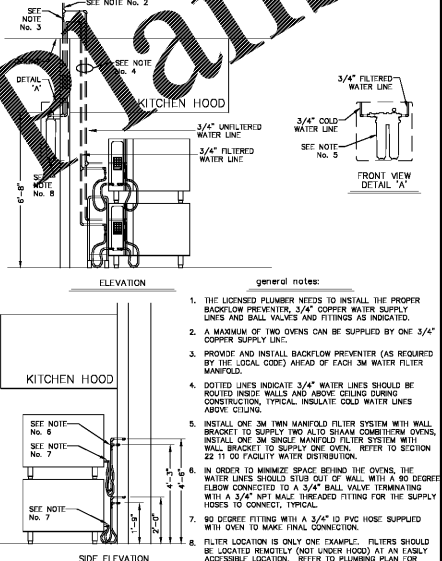
FLOOR SINK WITH DEBRIS BUCKET DATE: 3/13/12 SCALE: NONE DRAWN: ZAW MASTER SPECIFICATION DETAIL PSD-16B ORIGINAL ISSUE DATE: 11/20/11



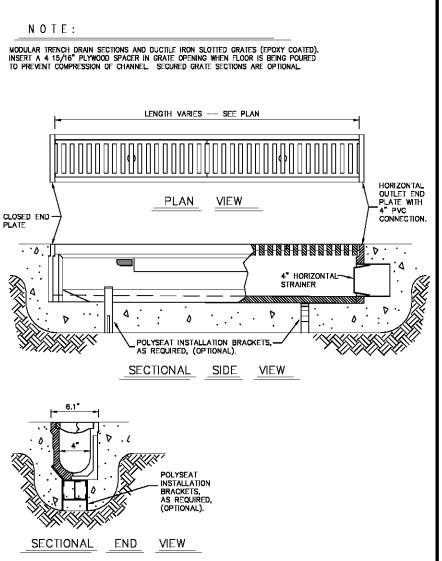
HOSE BIB LOCATION AT REFRIGERATED CASE DATE: 3/31/17 SCALE: NONE DRAWN: ZAW MASTER SPECIFICATION DETAIL PSD-21 ORIGINAL ISSUE DATE: 11/20/11



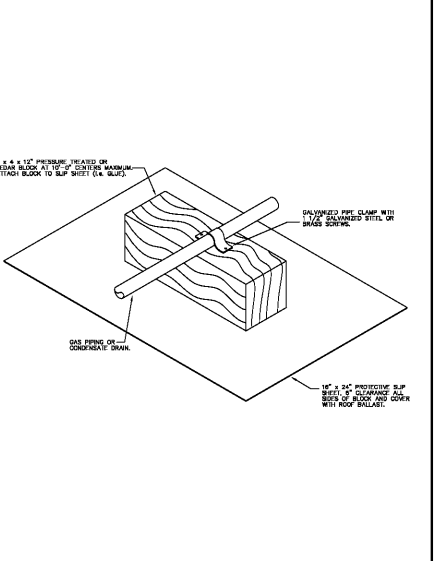
MOP SINK WITH EYEWASH AND STAND ALONE EYEWASH DATE: 5/31/12 SCALE: NONE DRAWN: ZAW MASTER SPECIFICATION DETAIL PSD-22 ORIGINAL ISSUE DATE: 11/18/15



WATER SUPPLY LINES FOR STACKED ALTO SHAAM COMBI OVEN DATE: 11/19/19 SCALE: NONE DRAWN: ZAW MASTER SPECIFICATION DETAIL PSD-23A ORIGINAL ISSUE DATE: 11/18/15



TYPICAL MODULAR TRENCH DRAIN DATE: 2-20-08 SCALE: NONE DRAWN: DCS MASTER SPECIFICATION DETAIL PSD-34 ORIGINAL ISSUE DATE: 11/18/15



PIPING SUPPORT ON ROOF TOP DATE: 7/29/14 SCALE: NONE DRAWN: ZAW MASTER SPECIFICATION DETAIL PSD-35 ORIGINAL ISSUE DATE: 11/18/15