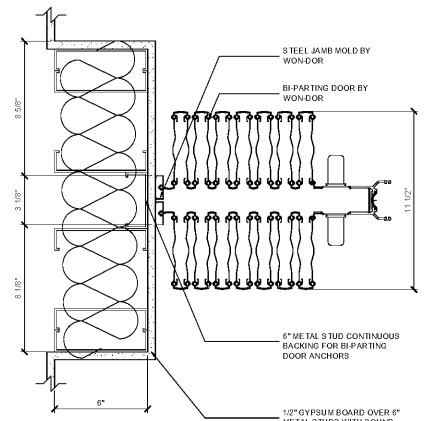
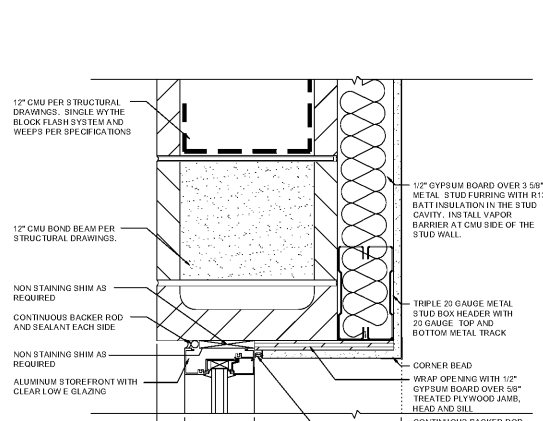


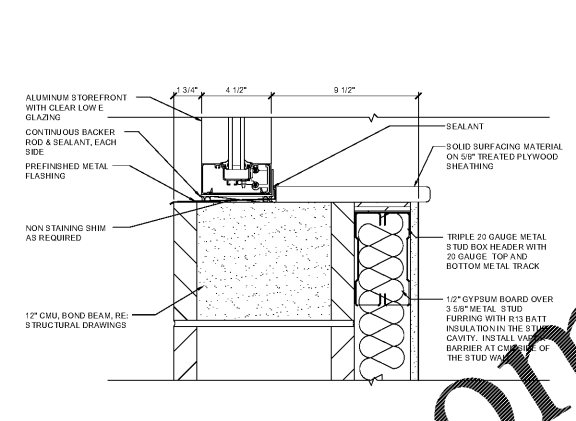
01 BI-PARTING DOOR HEAD  
SCALE: 3" = 1'-0"



02 BI-PARTING DOOR JAMB  
SCALE: 3" = 1'-0"

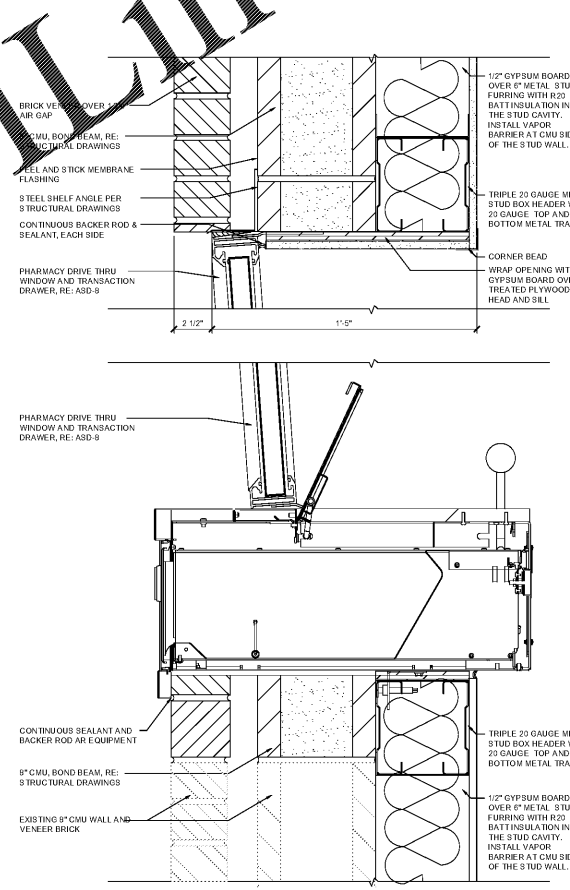
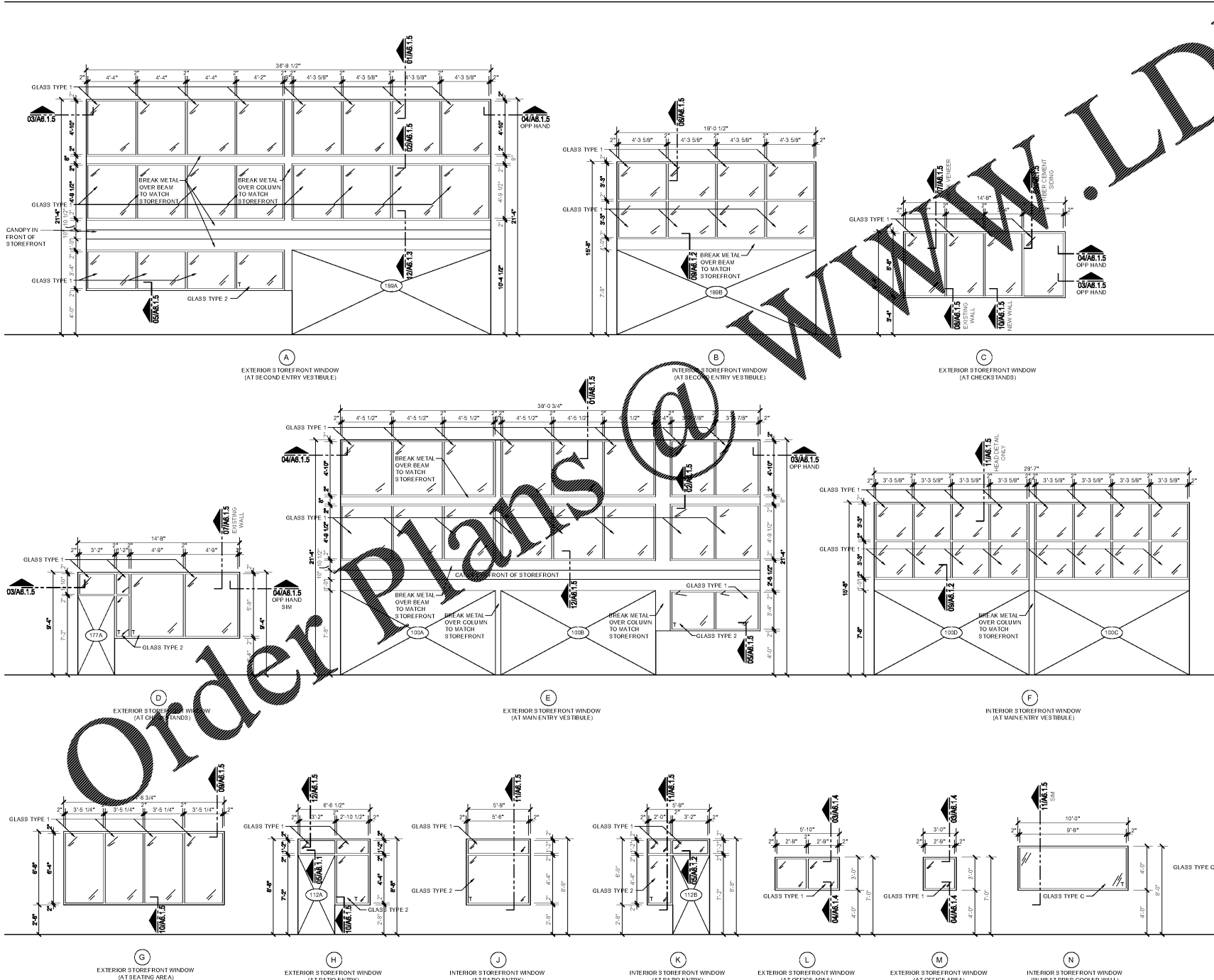


03 STOREFRONT WINDOW HEAD  
SCALE: 3" = 1'-0"



04 STOREFRONT WINDOW SILL  
SCALE: 3" = 1'-0"

FRAME TYPES



05 WINDOW HEAD AND SILL  
SCALE: 3" = 1'-0"

**Kroger**  
KROGER  
STORE #473  
2013 UNIVERSITY AVENUE  
OXFORD, MISSISSIPPI 38655  
A DEVELOPMENT OF THE KROGER COMPANY

**naos**  
Naos Design Group Of Mississippi, PLLC.  
MARC BREETZ, ARCHITECT  
645 Lakeland East Drive Suite 101  
Flowood, Mississippi 39232  
(p) 303.759.5777  
(f) 720.360.4281  
ARCHITECT OF RECORD

**CDS**  
COMMERCIAL DESIGN SYSTEMS, INC.  
13825 SW GALEREAH DRIVE  
SHERWOOD, OREGON 97140  
503.855.7000 (P) 503.625.5902  
INTERIOR DECOR

**Pickering Firm, Inc.**  
Architecture - Engineering  
Planning - Surveying  
6775 Lenox Center Court, Suite 300  
Memphis, TN 38115  
901.726.0816  
ENGINEER OF RECORD:  
STRUCTURAL  
MECHANICAL  
ELECTRICAL  
CIVIL ENGINEER

**V-SOFT**  
INFRASTRUCTURE  
1800 CHESTER ROAD  
CHICAGO, IL 60616  
T: 312-670-3069  
LOW VOLTAGE

**telgian**  
TELGIAN CORPORATION  
10230 SOUTH 50TH PLACE  
SUITE 100  
PHOENIX, AZ 85044  
T: 6771.836.4426  
HTTP://WWW.TELGIAN.COM  
FIRE PROTECTION

ISSUE LOG

NO.	REV.	DESCRIPTION	DATE
1	-	PERMIT SET	12/05/18
2	-	BID SET	03/21/19

JOB: 2019041 SCALE: NOT TO SCALE  
SHEET NO.

**A6.1.4**  
WINDOW SCHEDULE, BI-PARTING DOOR AND WINDOW DETAILS

COPYRIGHT © 2019 TELGIAN CORPORATION. ALL RIGHTS RESERVED. THIS DOCUMENT IS THE PROPERTY OF TELGIAN CORPORATION AND IS TO BE USED ONLY FOR THE PROJECT AND SITE SPECIFICALLY IDENTIFIED HEREIN. ANY REUSE OR REPRODUCTION OF THIS DOCUMENT WITHOUT THE WRITTEN CONSENT OF TELGIAN CORPORATION IS STRICTLY PROHIBITED.