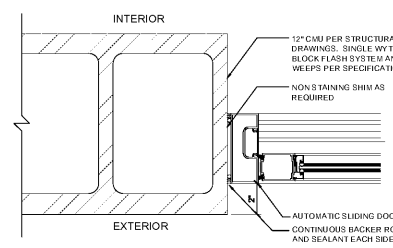
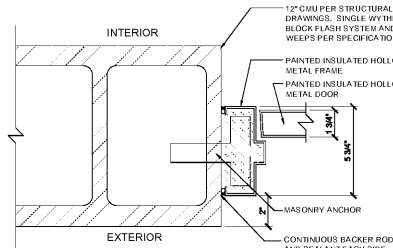


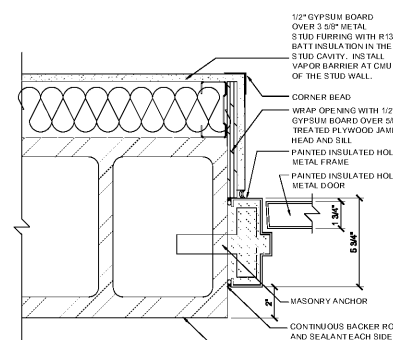
**EXTERIOR AUTOMATIC  
01 DOOR HEAD**  
SCALE: 3/4\"/>



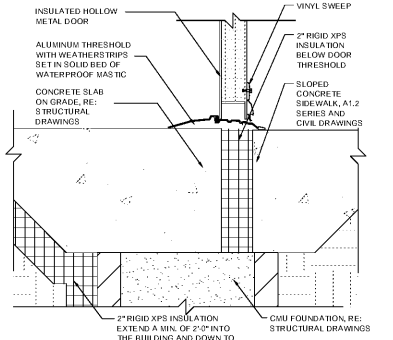
**EXTERIOR AUTOMATIC  
02 DOOR JAMB**  
SCALE: 3/4\"/>



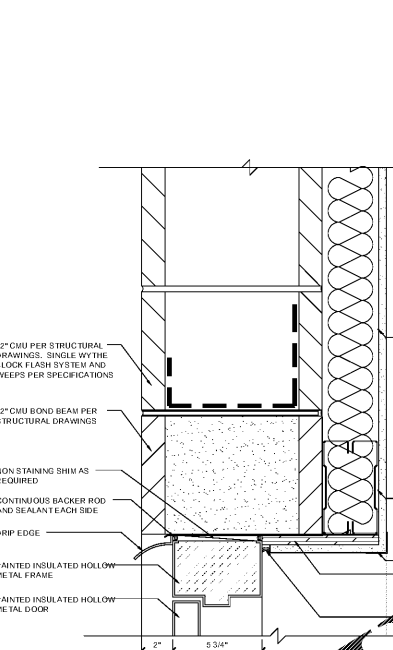
**EXTERIOR HOLLOW  
04 METAL DOOR JAMB**  
SCALE: 3/4\"/>



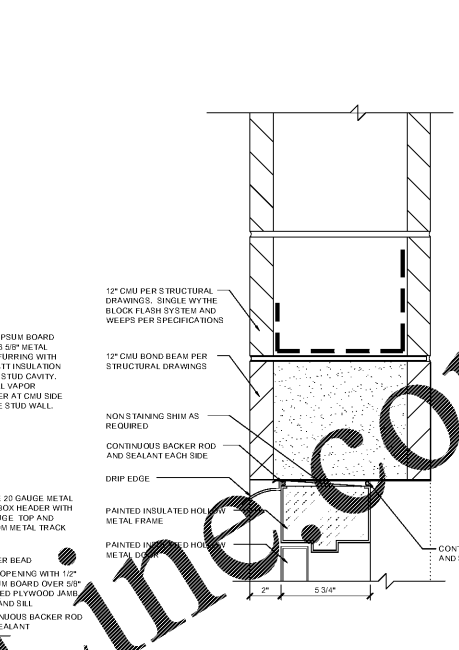
**EXTERIOR HOLLOW  
03 METAL DOOR JAMB**  
SCALE: 3/4\"/>



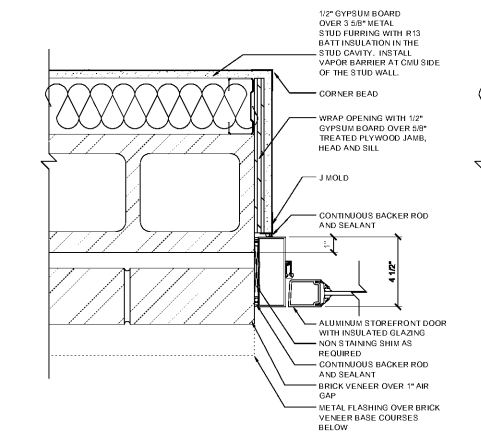
**EXTERIOR AUTOMATIC  
05 DOOR THRESHOLD**  
SCALE: 3/4\"/>



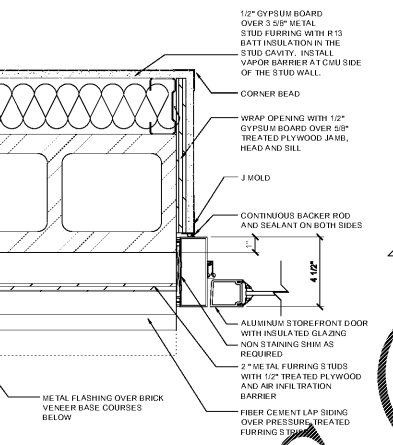
**EXTERIOR HOLLOW  
06 METAL DOOR HEAD**  
SCALE: 3/4\"/>



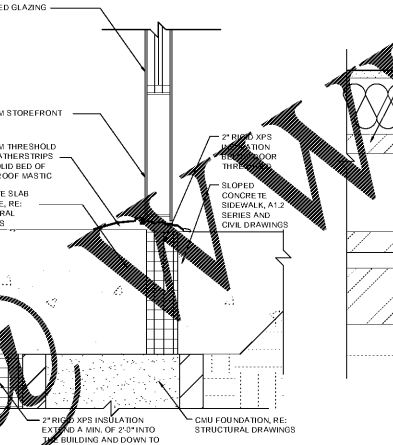
**EXTERIOR HOLLOW  
07 METAL DOOR HEAD**  
SCALE: 3/4\"/>



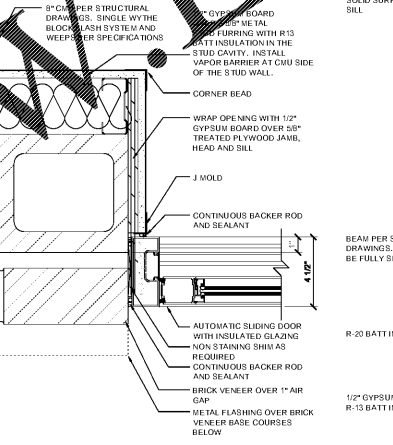
**EXTERIOR  
08 STOREFRONT DOOR JAMB**  
SCALE: 3/4\"/>



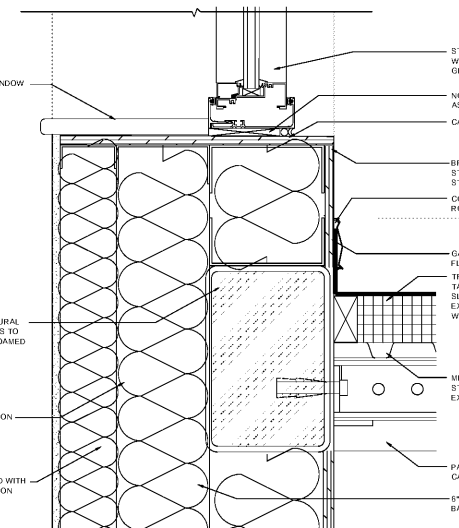
**EXTERIOR  
09 STOREFRONT DOOR JAMB**  
SCALE: 3/4\"/>



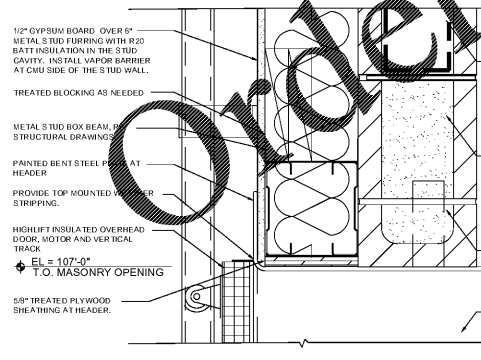
**EXTERIOR STOREFRONT  
10 DOOR THRESHOLD**  
SCALE: 3/4\"/>



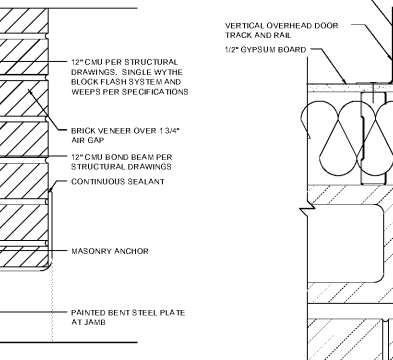
**EXTERIOR AUTOMATIC  
11 DOOR JAMB**  
SCALE: 3/4\"/>



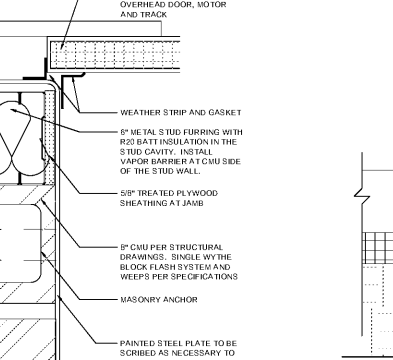
**EXTERIOR AUTOMATIC  
12 DOOR HEAD**  
SCALE: 3/4\"/>



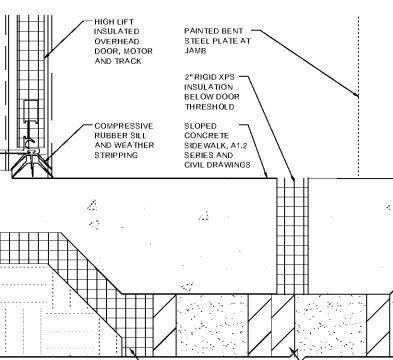
**EXTERIOR SECTIONAL  
13 OVERHEAD DOOR HEAD**  
SCALE: 3/4\"/>



**EXTERIOR SECTIONAL  
14 OVERHEAD DOOR JAMB**  
SCALE: 3/4\"/>



**EXTERIOR SECTIONAL  
15 OVERHEAD DOOR SILL**  
SCALE: 3/4\"/>



**EXTERIOR SECTIONAL  
15 OVERHEAD DOOR SILL**  
SCALE: 3/4\"/>

Order Plans

WWW.DIline.com

**Kroger**  
KROGER  
STORE #473  
2013 UNIVERSITY  
AVENUE  
OXFORD, MISSISSIPPI  
38655  
A DEVELOPMENT OF  
THE KROGER COMPANY

**naos**  
Naos Design  
Group Of  
Mississippi,  
PLLC.  
MARC BREETZ  
ARCHITECT  
645 Lakeland East Drive  
Suite 101  
Flowood, Mississippi 39232  
(p) 303.759.5777  
(f) 720.360.4281  
ARCHITECT OF RECORD

**CDS**  
COMMERCIAL DESIGN SYSTEMS,  
INC.  
13825 SW GALLEREA DRIVE  
SHERWOOD, OREGON 97140  
503.855.7000 (P) 503.625.5902  
INTERIOR DECOR

**Pickering Firm, Inc.**  
Architects - Engineering  
Planning - Surveying  
6775 Lenox Center Court Suite 300  
Memphis, TN 38115  
901.726.0816  
ENGINEER OF RECORD:  
STRUCTURAL  
MECHANICAL  
ELECTRICAL  
CIVIL ENGINEER

**SOFT**  
INFRASTRUCTURE  
1650 CHESTER ROAD  
CINCINNATI, OH 45216  
T: 513-670-3009  
LOW VOLTAGE

**telgian**  
TELGIAN CORPORATION  
10230 SOUTH 50TH PLACE  
SUITE 100  
PHOENIX, AZ 85044  
T: (602) 835-4428  
HTTP://WWW.TELGIAN.COM  
FIRE PROTECTION

**ISSUE LOG**

NO.	REV.	DESCRIPTION	DATE
1		PERMIT SET	12/05/18
2		BID SET	03/21/19

JOB: 2018041 SCALE: NOT TO SCALE

SHEET NO.  
**A6.1.3**  
DOOR DETAILS

COPYRIGHT © 2018 NAOS DESIGN GROUP OF MISSISSIPPI, PLLC. THESE DRAWINGS, OR ANY PART THEREOF, MAY NOT BE REPRODUCED, COPIED, OR TRANSMITTED IN ANY FORM OR BY ANY MEANS, ELECTRONIC OR MECHANICAL, WITHOUT EXPRESS WRITTEN PERMISSION FROM NAOS DESIGN GROUP OF MISSISSIPPI, PLLC.