

DOOR SCHEDULE CONTINUED

NUMBER	LOCATION	FRAME				DOOR				HARDWARE GROUP	DETAILS			REMARKS	NUMBER
		TYPE	WALL THICKNESS	MATERIAL	FINISH	SIZE	TYPE	MATERIAL	FINISH		HEAD	JAMB	SILL		
165A	DOCK	F6	7"	BENT STEEL PLATE	PT-703	PR 4'-0" X 9'-0"	G	PLASTIC FLEX	CHOCOLATE BROWN	#017	SIM TO ASD-56A	ASD-56A	-	-	165A
165B	DOCK	-	-	EXISTING	PT-703	8'-6" X 9'-0"	EXISTING	STEEL	EXISTING	-	-	-	-	11	165B
165C	DOCK	-	-	EXISTING	PT-703	8'-6" X 9'-0"	EXISTING	STEEL	EXISTING	-	-	-	-	11	165C
165D	DOCK	-	-	EXISTING	PT-703	8'-6" X 9'-0"	EXISTING	STEEL	EXISTING	-	-	-	-	11	165D
165E	DOCK	-	-	EXISTING	PT-003	3'-4" X 4'-0"	EXISTING	STEEL	PT-003	-	-	-	-	11, 12	165E
165F	DOCK	-	-	EXISTING	PT-703	5'-6" X 9'-0"	EXISTING	STEEL	EXISTING	-	-	-	-	11	165F
165G	DOCK	-	-	EXISTING	PT-703	3'-8" X 7'-0"	EXISTING	STEEL	EXISTING	#005	-	-	-	15	165G
165H	DOCK	F6	7"	BENT STEEL PLATE	PT-703	PR 4'-0" X 9'-0"	G	PLASTIC FLEX	CHOCOLATE BROWN	#017	SIM TO ASD-56A	ASD-56A	-	-	165H
166	SWITCHGEAR AREA 'B'	-	-	EXISTING	PT-703	3'-8" X 7'-0"	EXISTING	STEEL	EXISTING	#008	-	-	-	15	166
167A	DAIRY COOLER	-	-	-	-	5'-0" X 7'-0"	H	COOLER PANEL	NATURAL GALVANIZED	#017	-	-	-	-	167A
167B	DAIRY COOLER	-	-	-	-	5'-0" X 7'-0"	J	PLASTIC	CLEAR	-	-	-	-	-	167B
167C	DAIRY COOLER	-	-	-	-	3'-0" X 7'-0"	H	COOLER PANEL	NATURAL GALVANIZED	#017	-	-	-	-	167C
167D	DAIRY COOLER	-	-	-	-	3'-0" X 7'-0"	J	PLASTIC	CLEAR	-	-	-	-	-	167D
168	ASSOCIATE WOMEN'S R.R. 'B'	F1	4.5/8"	HOLLOW METAL	PT-703	3'-0" X 7'-0" X 1 3/4"	C	HOLLOW METAL	PT-703	#018	SIM TO 01/A6.1.2	01/A6.1.2	-	6	168
169	ASSOCIATE MEN'S R.R. 'B'	F1	4.5/8"	HOLLOW METAL	PT-703	3'-0" X 7'-0" X 1 3/4"	C	HOLLOW METAL	PT-703	#018	SIM TO 01/A6.1.2	01/A6.1.2	-	6	169
170	BACKROOM HALLWAY 'B'	F6	12"	BENT STEEL PLATE	PT-703 INTERIOR	18'-10" X 9'-4"	-	-	-	-	SIM TO ASD-56A	SIM TO ASD-56A	-	18	170
171	RX STORAGE	-	-	STEEL	METALLIC COATED	3'-0" X 7'-0"	M	STEEL	METALLIC COATED	#015	-	-	-	-	171
172	OFFICE RECORDS	-	-	STEEL	METALLIC COATED	3'-0" X 7'-0"	M	STEEL	METALLIC COATED	#015	-	-	-	-	172
173	SECURE STORAGE	-	-	STEEL	METALLIC COATED	3'-0" X 7'-0"	M	STEEL	METALLIC COATED	#015	-	-	-	-	173
174	PICKUP FAST MOVERS	F2	-	INSULATED HOLLOW METAL	PT-703 INTERIOR	3'-8" X 7'-0" X 1 3/4"	B	INSULATED HOLLOW METAL	PT-703 INTERIOR	#008	07/A6.1.3	04/A6.1.3	05/A6.1.3	3, 7	174
175A	PICKUP COOLER	-	-	-	-	3'-0" X 7'-0"	H	COOLER PANEL	NATURAL GALVANIZED	#017	-	-	-	-	175A
175B	PICKUP COOLER	-	-	-	-	3'-0" X 7'-0"	J	PLASTIC	CLEAR	-	-	-	-	-	175B
175C	PICKUP COOLER	-	-	-	-	3'-0" X 7'-0"	H	COOLER PANEL	NATURAL GALVANIZED	#017	-	-	-	-	175C
175D	PICKUP COOLER	-	-	-	-	3'-0" X 7'-0"	J	PLASTIC	CLEAR	-	-	-	-	-	175D
176A	PICKUP	-	-	ALUMINUM	CLEAR ANODIZED	9'-0" X 7'-8"	T	ALUMINUM	CLEAR ANODIZED	#007	01/A6.1.3	02/A6.1.3	08/A6.1.2	1	176A
176B	PICKUP	-	-	STEEL	METALLIC COATED	4'-0" X 7'-0"	M	STEEL	METALLIC COATED	#015	-	-	-	-	176B
177A	SALES	-	-	ALUMINUM	CLEAR ANODIZED	3'-0" X 7'-0"	P	ALUMINUM	CLEAR ANODIZED	#008A	05/A6.1.2	08 & 09/A6.1.3	10/A6.1.3 SIM	3	177A
177B	SALES	F2	-	INSULATED HOLLOW METAL	PT-703	3'-8" X 7'-0" X 1 3/4"	B	INSULATED HOLLOW METAL	PT-703	#008	06/A6.1.3	03/A6.1.3	05/A6.1.3	3	177B
178	RX STORAGE	F4	4.5/8"	GYPSON BOARD	MATCH ADJACENT WALL	3'-0" X 7'-8"	-	-	-	-	02/A6.1.2	SIM TO 02/A6.1.2	-	10	178
179A	PHARMACY	F1	7"	HOLLOW METAL	PT-703	3'-0" X 7'-0" X 1 3/4"	A	HOLLOW METAL	PT-703	#010A	SIM TO 01/A6.1.2	01/A6.1.2	-	5	179A
179B	PHARMACY	ASD-50	7"	ALUMINUM	CLEAR ANODIZED	22'-0" X 8'-0"	K	ALUMINUM	CLEAR ANODIZED	#007	ASD-50	-	-	-	179B
181A	COUNSEL 'A'	F1	7"	HOLLOW METAL	PT-703	3'-0" X 7'-0" X 1 3/4"	E	HOLLOW METAL	PT-703	#010A	SIM TO 01/A6.1.2	01/A6.1.2	-	5	181A
181B	COUNSEL 'A'	F1	4.5/8"	HOLLOW METAL	PT-703	3'-0" X 7'-0" X 1 3/4"	E	HOLLOW METAL	PT-703	#010A	SIM TO 01/A6.1.2	1/A6.1.2	-	1, 5	181B
182	COUNSEL 'B'	F1	7"	HOLLOW METAL	PT-703	3'-0" X 7'-0" X 1 3/4"	E	HOLLOW METAL	PT-703	#010A	SIM TO 01/A6.1.2	1/A6.1.2	-	1, 5	182
183	ELECTRIC ROOM	F1	7"	HOLLOW METAL	PT-703	3'-0" X 7'-0" X 1 3/4"	A	HOLLOW METAL	PT-703	#014	SIM TO 01/A6.1.2	01/A6.1.2	-	7	183
184A	LOSS PREVENTION	F2	-	INSULATED HOLLOW METAL	PT-703 INTERIOR	3'-8" X 7'-0" X 1 3/4"	B	INSULATED HOLLOW METAL	PT-703 INTERIOR	#022	03/A6.1.3	03/A6.1.3	08/A6.1.3	7	184A
184B	LOSS PREVENTION	F1	4.5/8"	HOLLOW METAL	PT-703	3'-0" X 7'-0" X 1 3/4"	E	HOLLOW METAL	PT-703	#002	SIM TO 01/A6.1.2	01/A6.1.2	-	1, 5	184B
185	HALLWAY 'B'	F4	7"	GYPSON BOARD	MATCH ADJACENT WALL	4'-0" X 7'-8"	-	-	-	-	02/A6.1.2	SIM TO 02/A6.1.2	-	10	185
186	FAMILY R.R. 'B'	F1	4.5/8"	HOLLOW METAL	PT-703	3'-0" X 7'-0" X 1 3/4"	C	HOLLOW METAL	PT-703	#018	TO 01/A6.1.2	01/A6.1.2	-	6	186
187	FAMILY R.R. 'C'	F1	4.5/8"	HOLLOW METAL	PT-703	3'-0" X 7'-0" X 1 3/4"	C	HOLLOW METAL	PT-703	#018	TO 01/A6.1.2	01/A6.1.2	-	6	187
188	SECOND ENTRY CART CORRAL	F6	SEE SECTION	BENT STEEL PLATE	PT-703	8'-0" X 7'-0"	R	STEEL	FACTORY	#015	13/A6.1.3	14/A6.1.3	15/A6.1.3	4, 19	188
189A	SECOND ENTRY VESTIBULE	-	-	ALUMINUM	CLEAR ANODIZED	18'-0" X 7'-8"	S	ALUMINUM	CLEAR ANODIZED	#007	12/A6.1.3	11/A6.1.3	08/A6.1.2	1	189A
189B	SECOND ENTRY VESTIBULE	-	-	ALUMINUM	CLEAR ANODIZED	18'-0" X 7'-8"	S	ALUMINUM	CLEAR ANODIZED	#007A	10/A6.1.2	04/A6.1.2	03/A6.1.2	1	189B

NOTES APPLY TO BOTH A1.6.1 AND A1.6.2 SHEETS. SOME ITEMS MY NOT APPEAR ON THIS SHEET

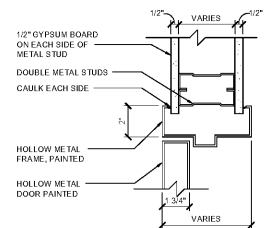
GENERAL NOTES

- A. REFER TO SPECIFICATIONS FOR FINISH MATERIAL DESIGNATIONS.
- B. THE OWNER WILL FURNISH AND INSTALL THE AUTOMATIC ENTRY DOORS.
- C. THE OWNER WILL FURNISH AND THE CONTRACTOR WILL INSTALL THE TRAFFIC DOORS AND COOLER DOORS.
- D. THE GENERAL CONTRACTOR IS TO SUPPLY AND INSTALL THE FOLLOWING DOORS AND FRAMES: ACCESS DOORS, HOLLOW METAL DOORS, ALUMINUM-FRAMES ENTRANCES STOREFRONT DOORS.

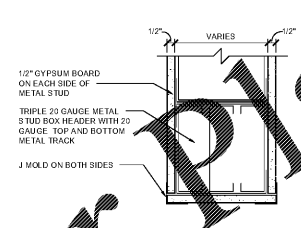
- E. THE GENERAL CONTRACTOR IS TO SUPPLY AND THE DOOR SUPPLIER IS TO INSTALL THE FOLLOWING DOORS: THE BASCART SECTIONAL DOOR, THE SIDE SLIDING GRILLE.
- F. REFER TO A5.1 SERIES FOR ARCHITECTURAL STANDARD DETAILS (ASD'S).
- G. REFER TO SPECIFICATIONS FOR ALL GLAZING TYPE INFORMATION.

REMARKS NOTES

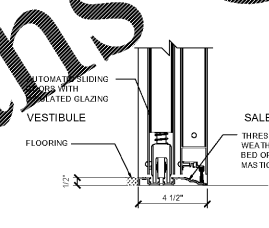
- 1. GLAZING TO BE PROVIDED AND INSTALLED BY GENERAL CONTRACTOR.
- 2. PROVIDE REINFORCED METAL FRAME PER ASD-56, BUT NO DOOR IS TO BE INSTALLED.
- 3. PROVIDE INSULATED DOOR AND FRAME.
- 4. PROVIDE TOP MOUNTED WEATHER STRIPPING.
- 5. INSTALL MINI BLINDS OVER THE INTERIOR SIDE OF THE GLASS PANEL IN THE DOOR.
- 6. PROVIDE AN ACCESSIBLE SIGN AT THE RESTROOM DOOR INDICATING "FAMILY", "MEN" OR "WOMEN".
- 7. NEW EGRESS DOOR WITH DELAYED EGRESS PANIC HARDWARE PER ESD-22 ON EGRESS DOOR P-003.
- 8. NEW EGRESS DOOR WITH DELAYED EGRESS PANIC HARDWARE PER ESD-22 ON E5.1.
- 9. NEW EGRESS DOOR WITH DELAYED EGRESS PANIC HARDWARE PER ESD-22 ON E5.1.
- 10. GYPSON CASES OPENING ONLY.
- 11. INSTALL WEATHER STRIPPING ON EXISTING DOOR AND PREP EXTERIOR FOR WEATHER STRIPPING ON BOTH THE DOOR AND THE FRAME.
- 12. PAINT THE INTERIOR FACE OF THE EXISTING COMPACTOR DOOR P-003.
- 13. INSTALL A BI-PARTING DOOR PER WON-DOOR CORPORATION DETAILS.
- 14. THE ACCESSIBLE SIGN IS TO BE "QUITE" NOT "UNISEX" AS LISTED IN THE HARDWARE GROUP.
- 15. EXISTING EGRESS DOOR WITH NEW DELAYED EGRESS PANIC HARDWARE PER ESD-22 ON E5.1.
- 16. REFER TO COOLER PANEL SHOPS FOR ATTACHMENT SUPPORTS FOR NEW AUTO CORNER BEAD.
- 17. THIS IS ONLY A FRAMED OPENING IN THE COOLER PANELS.
- 18. PROVIDE BENT STEEL PLATE PER ASD-56A, BUT NOT DOOR IS TO BE INSTALLED.
- 19. OVERHEAD DOOR IS TO BE A HIGH LIFT WITH VERTICAL TRACK.
- 20. NEW EGRESS DOOR WITH DELAYED EGRESS PANIC HARDWARE PER ESD-22 ON E5.1.



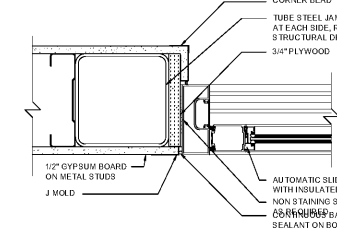
01 INTERIOR H.M. DOOR JAMB HEAD SIMILAR SCALE: 3" = 1'-0"



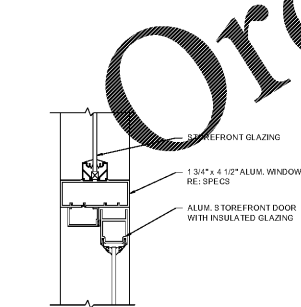
02 GYPSON BOARD HEADER JAMB SIMILAR SCALE: 3" = 1'-0"



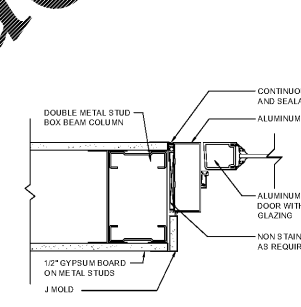
03 INTERIOR AUTOMATIC SLIDING DOOR SILL SCALE: 3" = 1'-0"



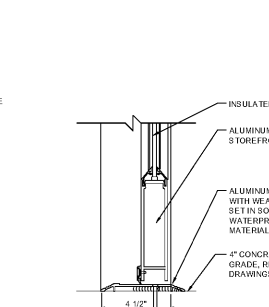
04 DOOR JAMB AT INTERIOR AUTOMATIC SLIDING DOOR SCALE: 3" = 1'-0"



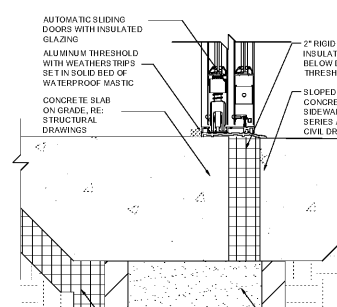
05 STOREFRONT GLAZING TO DOOR HEAD DETAIL SCALE: 3" = 1'-0"



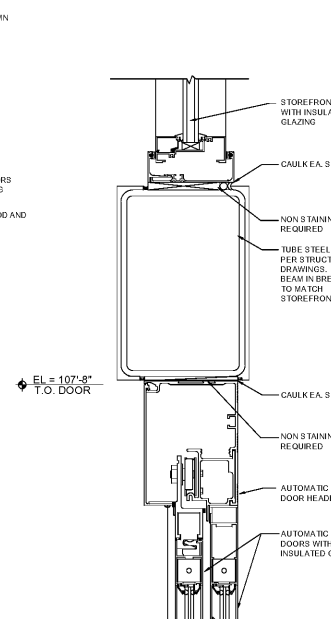
06 INTERIOR STOREFRONT JAMB DETAIL SCALE: 3" = 1'-0"



07 INTERIOR STOREFRONT JAMB DETAIL SCALE: 3" = 1'-0"

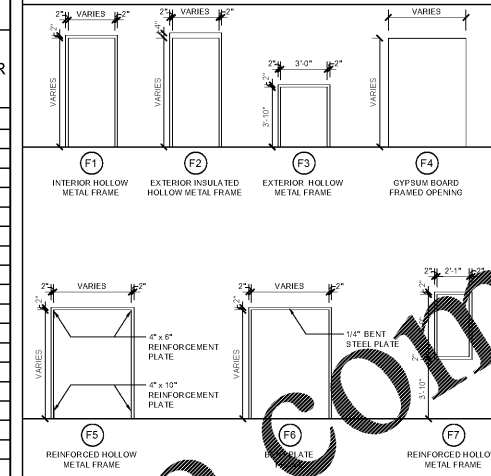


08 EXTERIOR AUTOMATIC DOOR THRESHOLD SCALE: 3" = 1'-0"

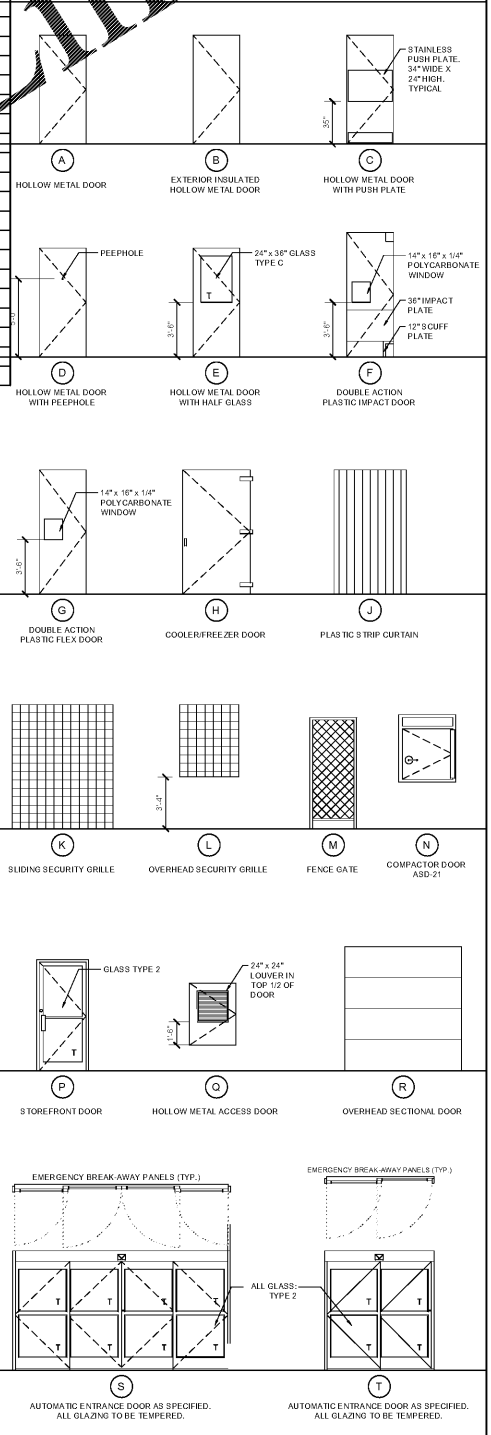


09 INTERIOR AUTOMATIC SLIDING DOOR HEAD SCALE: 3" = 1'-0"

FRAME TYPES



DOOR TYPES



Kroger
KROGER
STORE #473
2013 UNIVERSITY AVENUE
OXFORD, MISSISSIPPI 38655
A DEVELOPMENT OF THE KROGER COMPANY

naos
Naos Design Group Of Mississippi, PLLC.
MARC BREETZ, ARCHITECT
645 Lakeland East Drive Suite 101
Flowood, Mississippi 39232
(601) 303.759.5777
(601) 720.360.4281
ARCHITECT OF RECORD

CDS
COMMERCIAL DESIGN SYSTEMS, INC.
13825 SW GALEBREATH DRIVE
SHERWOOD, OREGON 97140
503.855.7000 (503) 855.8902
INTERIOR DECOR

Pickering Firm, Inc.
Architectural - Engineering
Planning - Surveying
6775 Lenox Center Court Suite 300
Memphis, TN 38115
901.726.0810
ENGINEER OF RECORD:
STRUCTURAL
MECHANICAL
ELECTRICAL
CIVIL ENGINEER

SOFT
INFRASTRUCTURE
1600 CHESTER ROAD
CHICKEN, OH 43016
T: 502-670-3009
LOW VOLTAGE

telgian
TELGIAN CORPORATION
10230 SOUTH 50TH PLACE
SUITE 100
PHOENIX, AZ 85044
T: (602) 836-4426
HTTP://WWW.TELGIAN.COM
FIRE PROTECTION

ISSUE LOG

NO.	REV.	DESCRIPTION	DATE
1	-	PERMIT SET	12/05/18
2	-	BID SET	03/21/19

JOB: 2018041 SCALE: NOT TO SCALE
SHEET NO. **A6.1.2**
DOOR SCHEDULE CONTINUED, TYPES AND DETAILS