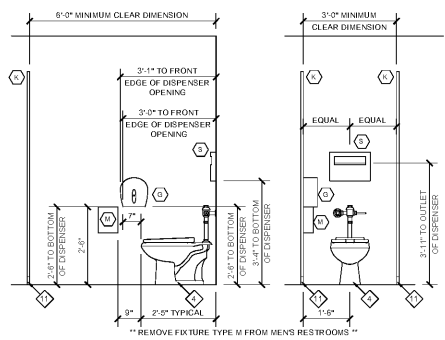
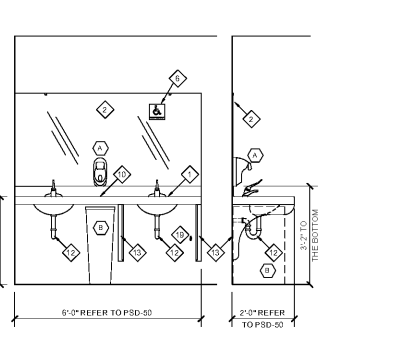


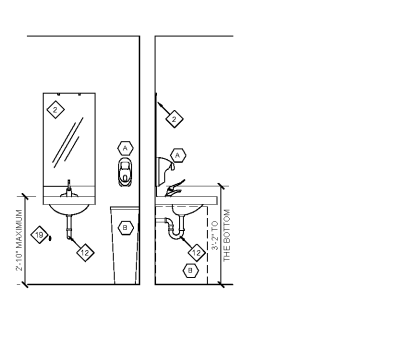
TYPICAL ACCESSIBLE CODE COMPLIANT STALL ELEVATIONS
FLOOR MOUNTED FLUSH VALVE TOILET
SCALE: 1/2" = 1'-0"



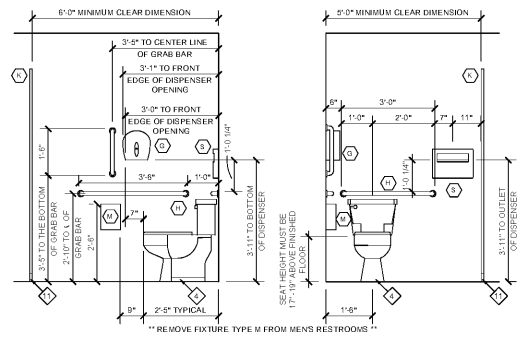
TYPICAL STALL ELEVATIONS
FLOOR MOUNTED FLUSH VALVE TOILET
SCALE: 1/2" = 1'-0"



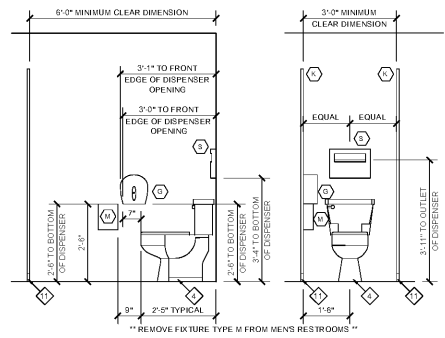
TYPICAL LAVATORY ELEVATIONS
SOLID SURFACE
SCALE: 1/2" = 1'-0"



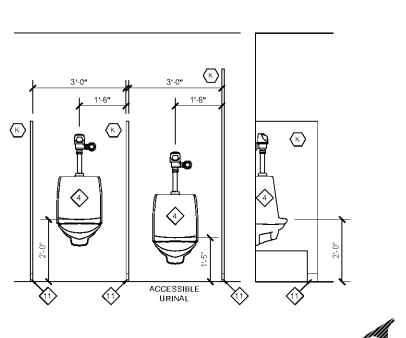
TYPICAL LAVATORY ELEVATIONS
WALL HUNG
SCALE: 1/2" = 1'-0"



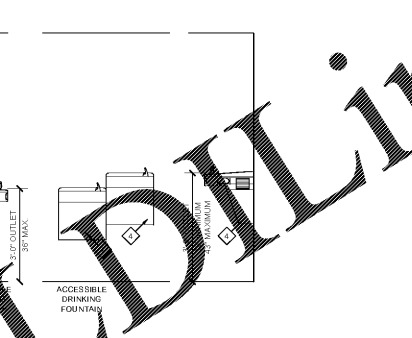
TYPICAL ACCESSIBLE CODE COMPLIANT STALL ELEVATIONS
FLOOR MOUNTED TANK TOILET
SCALE: 1/2" = 1'-0"



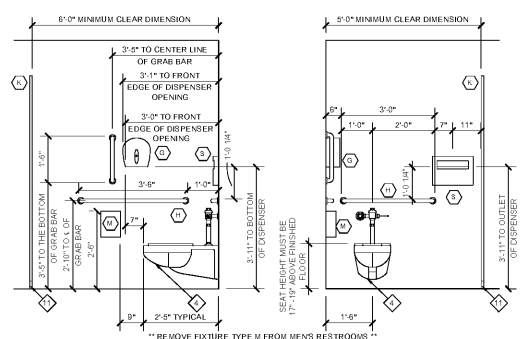
TYPICAL STALL ELEVATIONS
FLOOR MOUNTED TANK TOILET
SCALE: 1/2" = 1'-0"



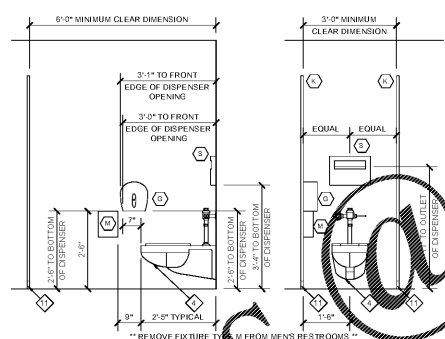
TYPICAL URINAL ELEVATIONS
SCALE: 1/2" = 1'-0"



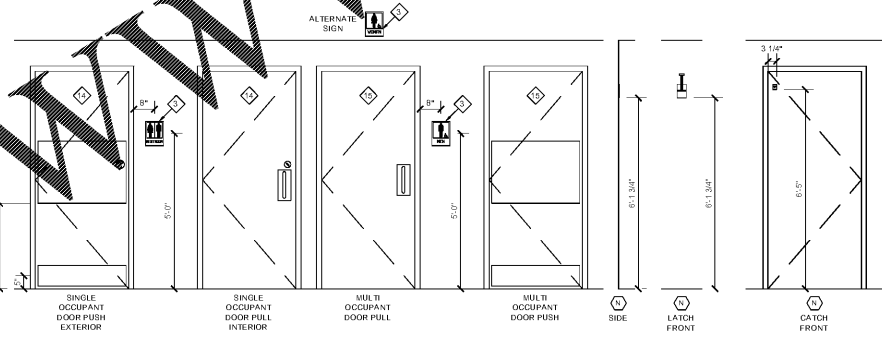
TYPICAL DRINKING FOUNTAIN ELEVATIONS
SCALE: 1/2" = 1'-0"



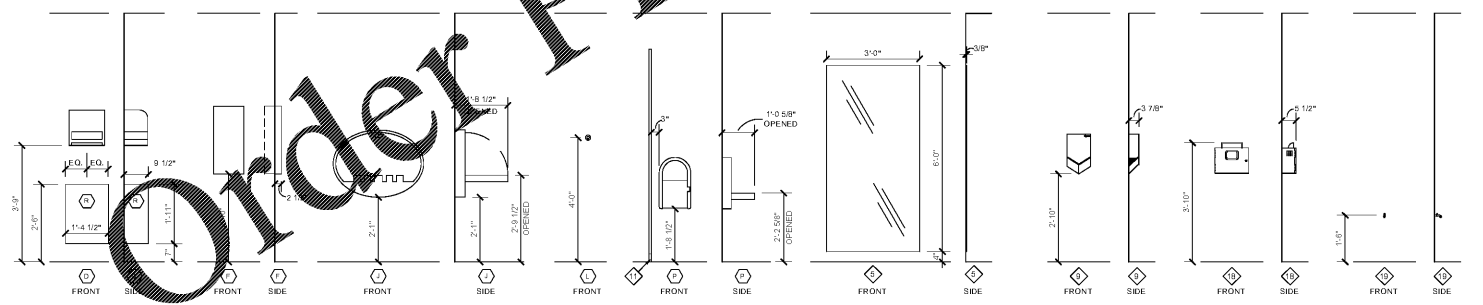
TYPICAL ACCESSIBLE CODE COMPLIANT STALL ELEVATIONS
WALL MOUNTED TOILET
SCALE: 1/2" = 1'-0"



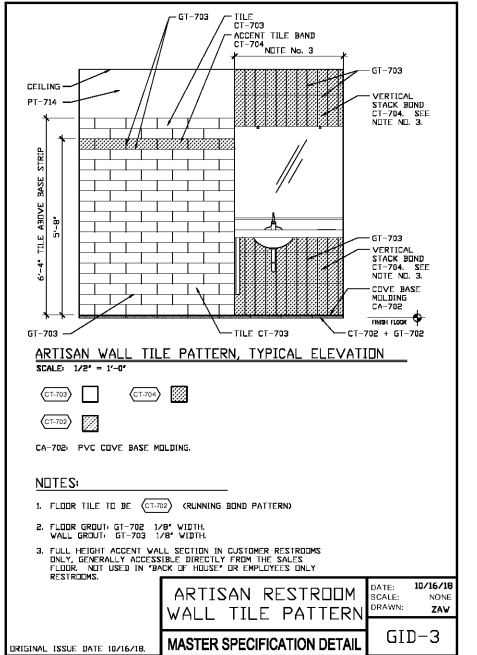
TYPICAL STALL ELEVATIONS
WALL MOUNTED TOILET
SCALE: 1/2" = 1'-0"



TYPICAL DOOR ACCESSORY MOUNTING HEIGHTS
SCALE: 1/2" = 1'-0"



TYPICAL ACCESSORY MOUNTING HEIGHTS
SCALE: 1/2" = 1'-0"



LEGEND SYMBOLS AND NOTES APPLY TO SHEETS A4.1, A4.2, A4.3, A4.4 AND A4.5, SOME ITEMS MAY NOT APPEAR ON THIS SHEET

SYMBOL LEGEND

- KEY NOTE
- FIXTURE OR ACCESSORY
- DOOR/FRAME NUMBER, REFER TO DOOR AND FRAME SCHEDULE ON A4.1 AND A4.2
- WINDOW LETTER, REFER TO WINDOW SCHEDULE ON A4.1
- WALL FINISH, REFER TO A4.2 AND SPECIFICATIONS
- WALL TYPE, REFER TO A4.2 FOR WALL ASSEMBLY AND NOMENCLATURE
- NEW STUD PARTITION - REFERENCE PARTITION TYPES ON A4.2
- EXISTING PARTITION OR COOLER PANEL TO REMAIN

GENERAL NOTES

- REFER TO SPECIFICATIONS FOR ADDITIONAL INFORMATION ON MATERIALS/PRODUCTS.
- OWNER SHALL PROVIDE THE US LISTED IN THE FIXTURES AND ACCESSORIES LEGEND. CONTRACTOR SHALL INSTALL ITEMS LISTED IN THE FIXTURES AND ACCESSORIES LEGEND PER SPECIFICATIONS.
- COORDINATE INSTALLATION OF WALL MOUNTED FIXTURES. THEY DO NOT INTERFERE WITH OR ENCRUST INTO REQUIRED CLEARANCE FLOOR SPACE AREAS.
- BLOCKING IS TO BE PROVIDED FROM ALL WALL FIXTURES AND ACCESSORIES.
- MIRRORS ARE TO BE INSTALLED AFTER OTHER ITEMS HAVE BEEN APPLIED TO THE WALLS.
- SEE TYPICAL DETAILS ON A4.1 FOR TYPICAL FIXTURE AND ACCESSORY WALL MOUNTING HEIGHTS AND CLEARANCES.
- ALL US STANDARD DETAILS (PSD'S) ARE SHOWN ON THE PS SERIES OF DRAWINGS.
- THE TAD'S KEY NOTES THAT ARE NOT LISTED SEQUENTIAL ORDER ARE APPLICABLE TO THIS PROJECT.
- ARCHITECTURAL STANDARD DETAILS (ASD'S) ARE SHOWN ON THE AS SERIES OF DRAWINGS.

FIXTURE AND ACCESSORIES LEGEND

- SOAP DISPENSER, REFER TO PSD-52
- TRASH RECEPTACLE
- NOT USED
- PAPER TOWEL "TENSION" DISPENSER
- NOT USED
- RECESSED SANITARY NAPKINS DISPENSER, 11 3/4" WIDE x 6 1/2" DEEP x 25 1/8" HIGH. P/NET #060-0004051 - EPRO #K-002147.
- JUMBO JUNIOR BATHROOM TISSUE DISPENSER (SMOKE GRAY), 10.61" WIDE x 5.93" DEEP x 11.29" HIGH.
- GRAB BAR, SUPPLIED WITH TOILET PARTITIONS.
- NOT USED
- DIAPER CHANGING STATION, 33.0" WIDE x 3.04" DEEP x 24.70" HIGH. P/NET #060-0003521 - EPRO #K-001403.
- PARTITIONS, TOILET URINAL. P/NET #060-0004050 & #060-00039119 EPRO #K-002353 & #K-002375.
- COAT HOOKS ON EACH STALL DOOR, PLUS ADDITIONAL HOOKS PER LOCATIONS INDICATED ON PLANS. SUPPLIED WITH TOILET PARTITIONS. INSTALL HOOK 4'-0" ABOVE FLOOR, UNLESS NOTE OTHERWISE.
- SANITARY NAPKINS DISPOSAL RECEPTACLE, 7 1/2" WIDE x 3 7/8" DEEP x 10" HIGH. P/NET #060-0003522 - EPRO #K-002375.
- HOOK & CATCH DOOR HOLDER, PART OF HARDWARE PACKAGE. DO NOT INSTALL HOOK OR CATCH IF A CONFLICT WITH ANY OTHER FIXTURE OR ACCESSORY EXISTS.
- NOT USED
- WALL MOUNTED CHILD PROTECTION SEAT. P/NET #060-0003036 - EPRO #K-0001404.
- NOT USED
- TRASH RECEPTACLE (WALL MOUNTED), 16 1/2" WIDE X 12 1/2" DEEP X 23" HIGH.
- TOILET SEAT COVER DISPENSER.

KEYED NOTES

- SOLID SURFACE TOP, SINK BOWLS, FAUCETS, ETC. REFER TO PSD-50 FOR COMPLETE INFORMATION. CONTRACTOR SHALL DETERMINE TOP LENGTH PER FIELD CONDITIONS.
- MIRROR, SPRING LOADED MIRROR CLIPS & 1/2" CHANNEL MIRROR SUPPORT. MIRRORS TO BE INSTALLED AFTER TILES HAVE BEEN APPLIED TO WALL. REFER TO PSD-50.
- CODE COMPLIANT RESTROOM SIGNS MOUNTED ON LATCH SIDE OF DOOR 5'-0" FROM FLOOR TO CENTERLINE OF SIGN.
- PLUMBING FIXTURES: TOILETS, URINALS, DRINKING FOUNTAINS, ETC.
- 36" WIDE x 72" HIGH WALL MIRROR, MOUNTED 4" ABOVE FINISHED FLOOR.
- CODE ACCESSIBLE DECAL ON MIRROR AT EACH CODE COMPLIANT SINK LOCATION.
- NOT USED
- NOT USED
- ELECTRIC HAND DRYER DYSON AIRBLADE V -- REFER TO SECTION 10 28 13 TOILET ACCESSORIES IN SPECIFICATIONS.
- TRASH CHUTE TRIMMING - SEE PSD-50.
- PROVIDE A LAYER OF CLEAR SILICONE CAULK UNDER FLOOR BRACKET OF TOILET PARTITIONS AND URINAL SCREENS.
- WRAP EXPOSED PIPES PER CODE REQUIREMENTS
- COMBINATION END PANEL SUPPORT BRACE WITH STANDARD, MUST BE CODE COMPLIANT ATTACH STANDARD TO WOOD BLOCKING INSIDE WALL.
- SINGLE USER RESTROOM DOOR: INSTALL A STAINLESS STEEL PUSH PLATE, 34" WIDE AND 24" HIGH, AND A STAINLESS STEEL HOOK PLATE, 34" WIDE AND 8" HIGH, ON THE PUSH SIDE OF THE DOOR. INSTALL A CODE COMPLIANT DOOR PULL ON THE PULL SIDE OF THE DOOR. INSTALL A CODE COMPLIANT DEAD BOLT ON THE INSIDE OF THE DOOR AND AN OCCUPANCY INDICATOR ON THE EXTERIOR OF THE DOOR.
- MULTI-STALL RESTROOM DOOR: INSTALL A STAINLESS STEEL PUSH PLATE, 34" WIDE AND 24" HIGH, AND A STAINLESS STEEL HOOK PLATE, 34" WIDE AND 8" HIGH, ON THE PUSH SIDE OF THE DOOR. INSTALL A CODE COMPLIANT DOOR PULL ON THE PULL SIDE OF THE DOOR.
- INSTALL NEW CERAMIC TILE AND GROUT ON THE WALLS WITH 1/8" GROUT LINES. DIMENSION INDICATES THE STARTING POINT FOR WALL CERAMIC TILE. THE REMAINDER OF THE WALL IS TO BE PAINTED P1-714. REFER TO Q10-3 ON A4.3.
- INSTALL NEW CERAMIC TILE AND GROUT ON THE FLOOR WITH 1/8" GROUT LINES. INSTALL THE TILE IN A RUNNING BOND PATTERN WITH THE TALL DIMENSION RUNNING PARALLEL TO THE DOOR.
- INSTALL SHARPS CONTAINER.

Kroger
KROGER
STORE #473
2013 UNIVERSITY AVENUE
OXFORD, MISSISSIPPI 38655
A DEVELOPMENT OF THE KROGER COMPANY

naos
Naos Design Group Of Mississippi, PLLC.
MARC BREETZ, ARCHITECT
645 Lakeland East Drive Suite 101
Flowood, Mississippi 39232
(p) 303.759.5777
(f) 720.360.4281
ARCHITECT OF RECORD

CDS
COMMERCIAL DESIGN SYSTEMS, INC.
13225 SW GALEBREATH DRIVE
SHERWOOD, OREGON 97140
503.855.7000 (P) 503.625.5902
INTERIOR DECOR

Pickering Firm, Inc.
Architecture - Engineering
Planning - Surveying
6775 Lenox Center Court Suite 300
Memphis, TN 38115
901.726.0310
ENGINEER OF RECORD:
STRUCTURAL
MECHANICAL
ELECTRICAL
CIVIL ENGINEER

VSOF
INFRASTRUCTURE
1600 CHESTER ROAD
CINCINNATI, OH 45216
T: 513-670-3069
LOW VOLTAGE

telgian
TELGIAN CORPORATION
10230 SOUTH 50TH PLACE
SUITE 100
PHOENIX, AZ 85044
T: (602) 836-4428
HTTP://WWW.TELGIAN.COM
FIRE PROTECTION

ISSUE LOG

NO.	REV.	DESCRIPTION	DATE
1		PERMIT SET	12/05/18
2		BID SET	03/21/19

JOB: 2018041 SCALE: NOT TO SCALE
SHEET NO.

A4.3
ACCESSORY MOUNTING HEIGHT DETAILS

COPYRIGHT © 2018 NAOS DESIGN GROUP OF MISSISSIPPI, PLLC. THESE DRAWINGS, ON PARTS THEREOF, ARE THE PROPERTY OF NAOS DESIGN GROUP OF MISSISSIPPI, PLLC. ANY REPRODUCTION OR USE OF THESE DRAWINGS WITHOUT THE WRITTEN CONSENT OF NAOS DESIGN GROUP OF MISSISSIPPI, PLLC IS PROHIBITED.