



KROGER
STORE #473

2013 UNIVERSITY AVENUE
OXFORD, MISSISSIPPI 38655

A DEVELOPMENT OF THE KROGER COMPANY



Naos Design Group Of Mississippi, PLLC.

MARC BREETZ, ARCHITECT

645 Lakeland East Drive
Suite 101
Flowood, Mississippi 39232
(p) 303.759.5777
(f) 720.360.4281

ARCHITECT OF RECORD



COMMERCIAL DESIGN SYSTEMS, INC.
13825 SW GALBREATH DRIVE
SHERWOOD, OREGON 97140
503.855.7000 (P) 503.825.8902

INTERIOR DECOR



Pickering Firm, Inc.
Architects - Engineering
Planning - Surveying
6775 Lenox Center Court, Suite 300
Memphis, TN 38115
901.726.0818

ENGINEER OF RECORD:
STRUCTURAL
MECHANICAL
ELECTRICAL
CIVIL ENGINEER



V-SOFT INFRASTRUCTURE
1800 CHESTER ROAD
CINCINNATI, OH 45216
T: 513-670-3069

LOW VOLTAGE



TELGIAN CORPORATION
10230 SOUTH 50TH PLACE
SUITE 100
PHOENIX, AZ 85044
T: (602) 836-4428
HTTP://WWW.TELGIAN.COM

FIRE PROTECTION

ISSUE LOG

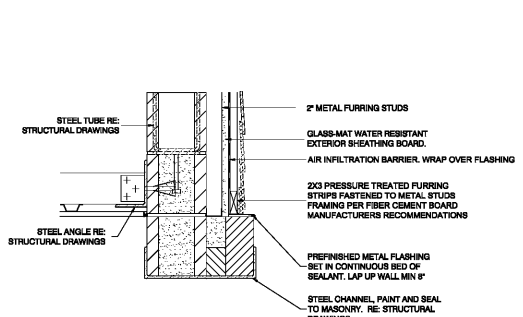
| NO. | REV. | DESCRIPTION | DATE |
|-----|------|-------------|----------|
| 1 | - | PERMIT SET | 12/05/18 |
| 2 | - | BID SET | 03/21/19 |
| | | | |
| | | | |
| | | | |

JOB: 2018041 SCALE: AS NOTED

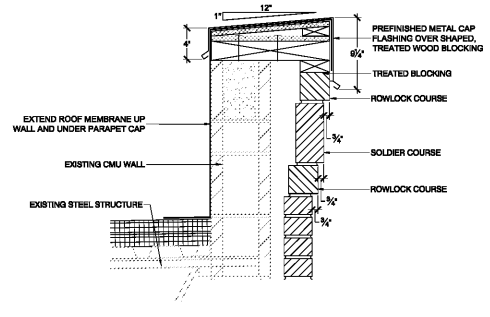
SHEET NO.

A3.1.5
WALL SECTIONS AND DETAILS

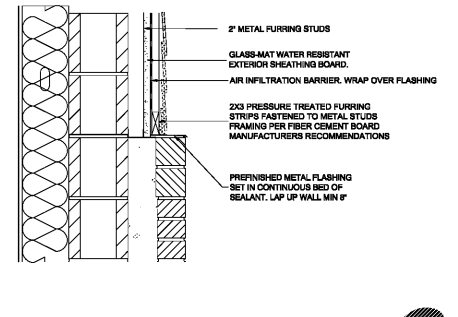
COPYRIGHT © 2018 KROGER DESIGN GROUP OF MISSISSIPPI, PLLC. THESE DRAWINGS OR ANY PART THEREOF MAY NOT BE REPRODUCED OR TRANSMITTED IN ANY FORM OR BY ANY MEANS, ELECTRONIC OR MECHANICAL, WITHOUT THE WRITTEN CONSENT OF KROGER.



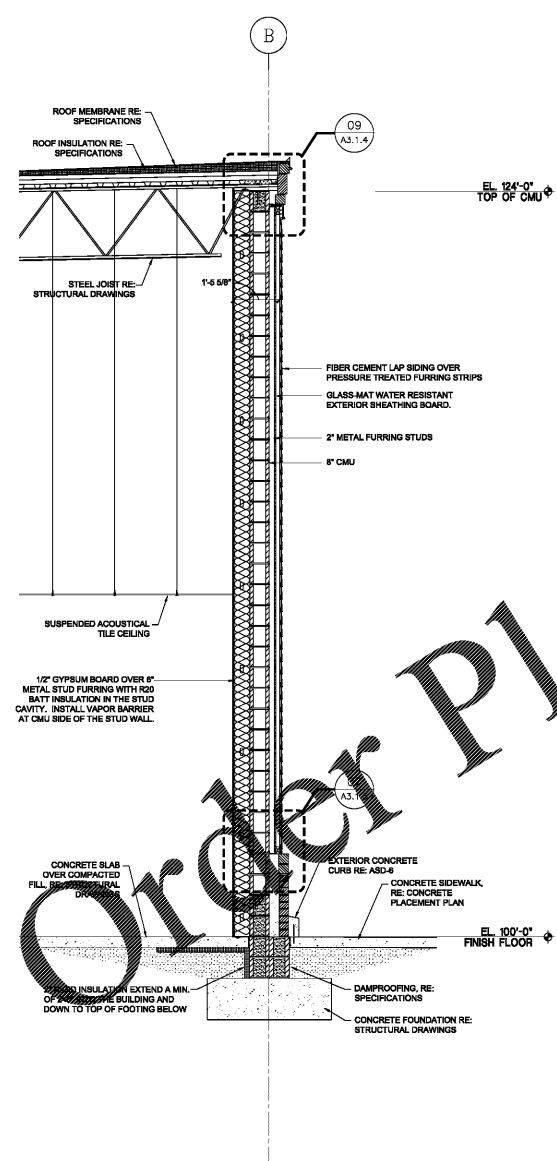
05 HEAD DETAIL
SCALE: 1/12" = 1'-0"



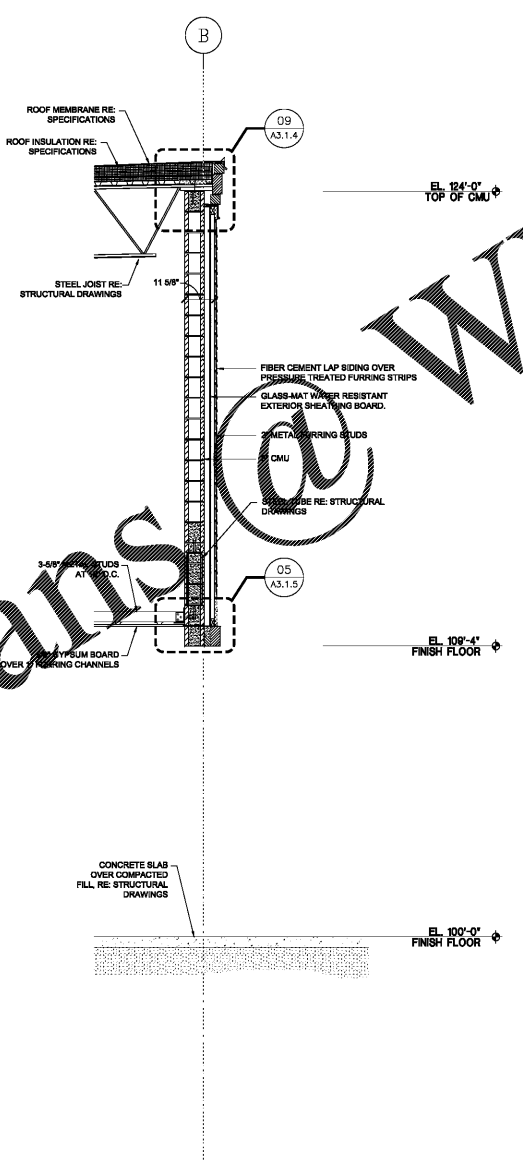
06 CORNICE DETAIL
SCALE: 1/12" = 1'-0"



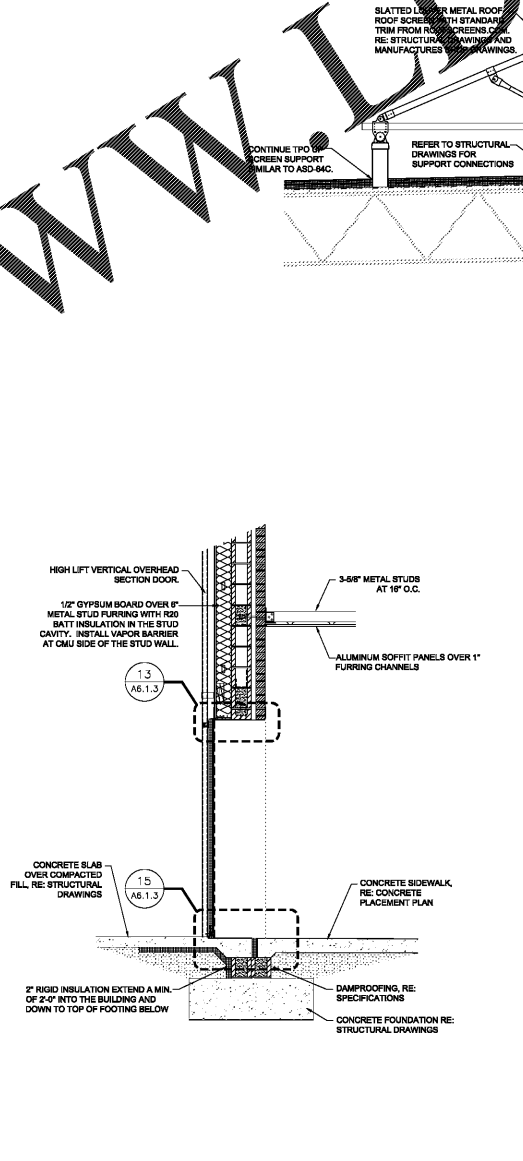
07 WALL DETAIL
SCALE: 1/12" = 1'-0"



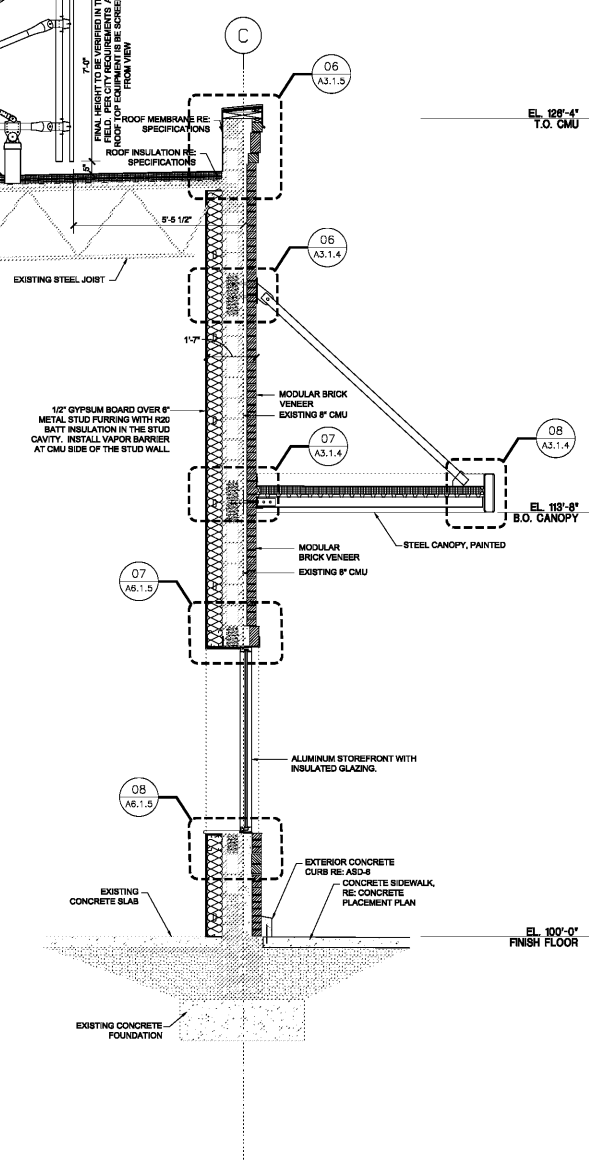
01 WALL SECTION
SCALE: 1/2" = 1'-0"



02 WALL SECTION
SCALE: 1/2" = 1'-0"



03 WALL SECTION
SCALE: 1/2" = 1'-0"



04 WALL SECTION
SCALE: 1/2" = 1'-0"

WWW.LDILine.com

Order Plans