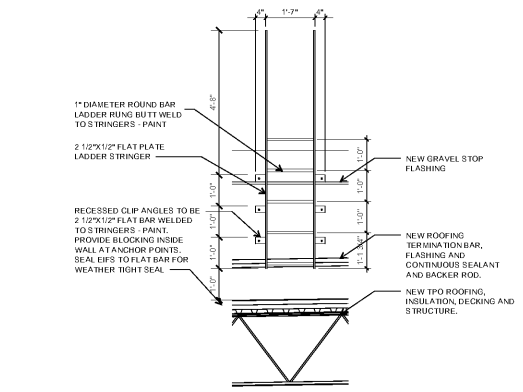
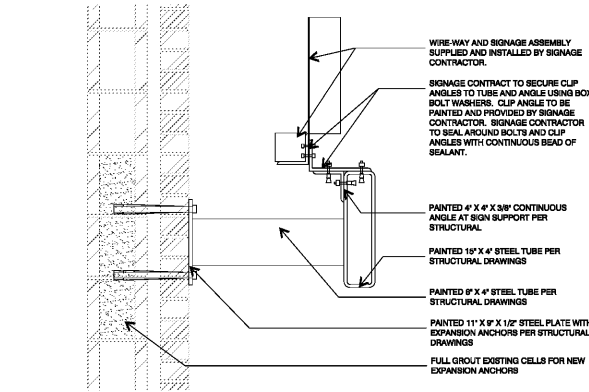


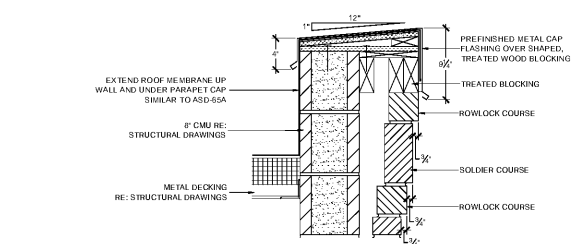
05 ROOF ACCESS LADDER SECTION  
SCALE: 1/2" = 1'-0"



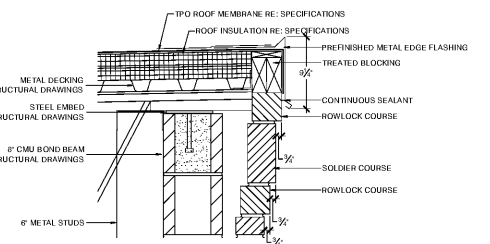
06 ROOF ACCESS LADDER SECTION  
SCALE: 1/2" = 1'-0"



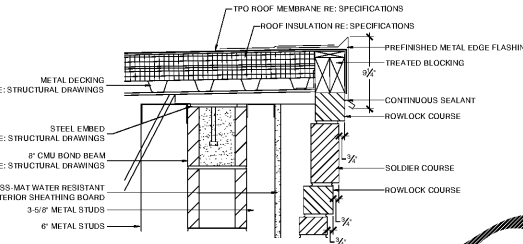
07 EYEBROW SIGNAGE DETAIL  
SCALE: 1/2" = 1'-0"



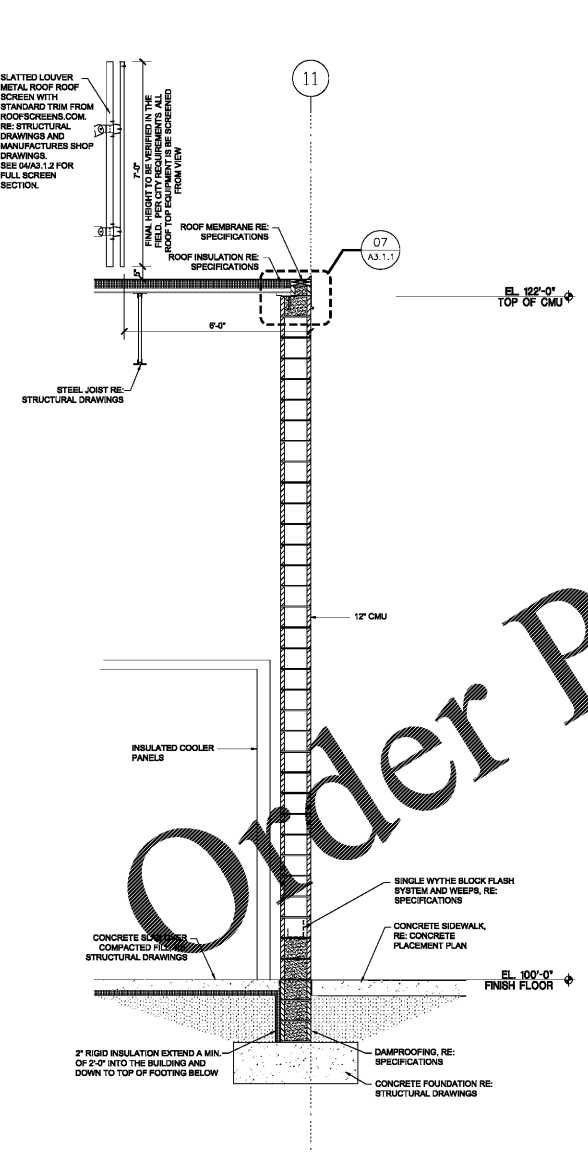
08 ROOFING EDGE DETAIL  
SCALE: 1/2" = 1'-0"



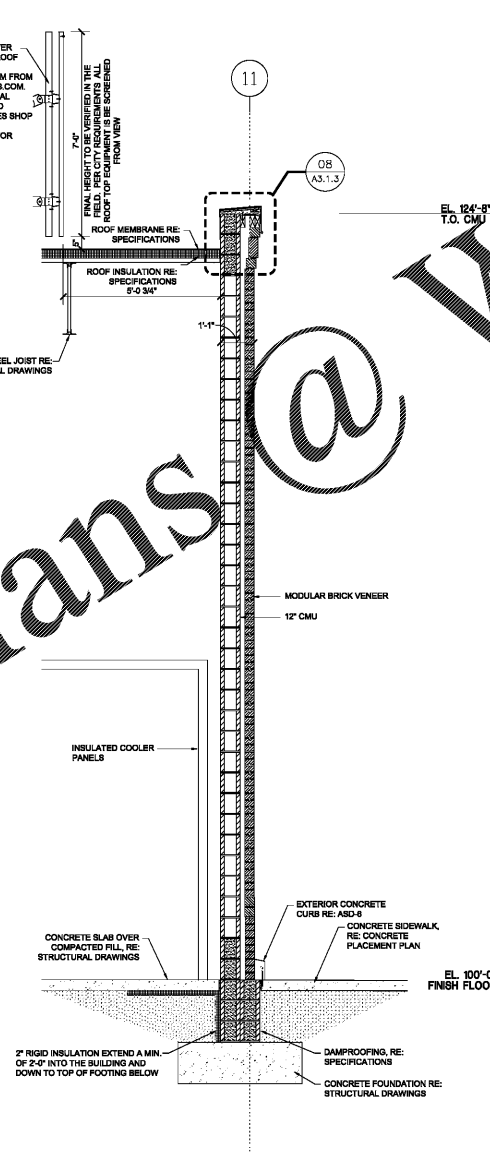
09 CORNICE DETAIL  
SCALE: 1/2" = 1'-0"



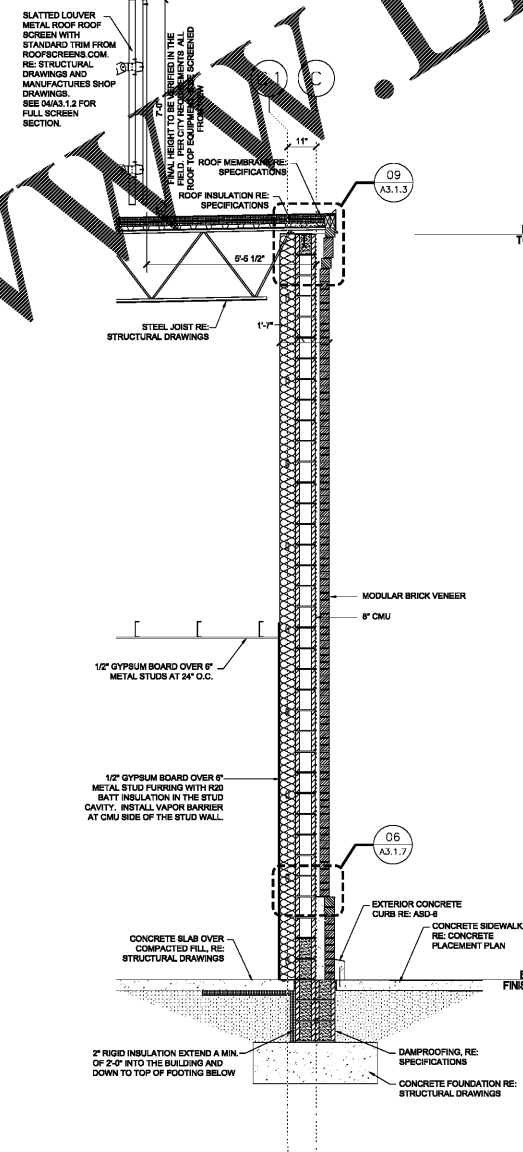
10 CORNICE DETAIL  
SCALE: 1/2" = 1'-0"



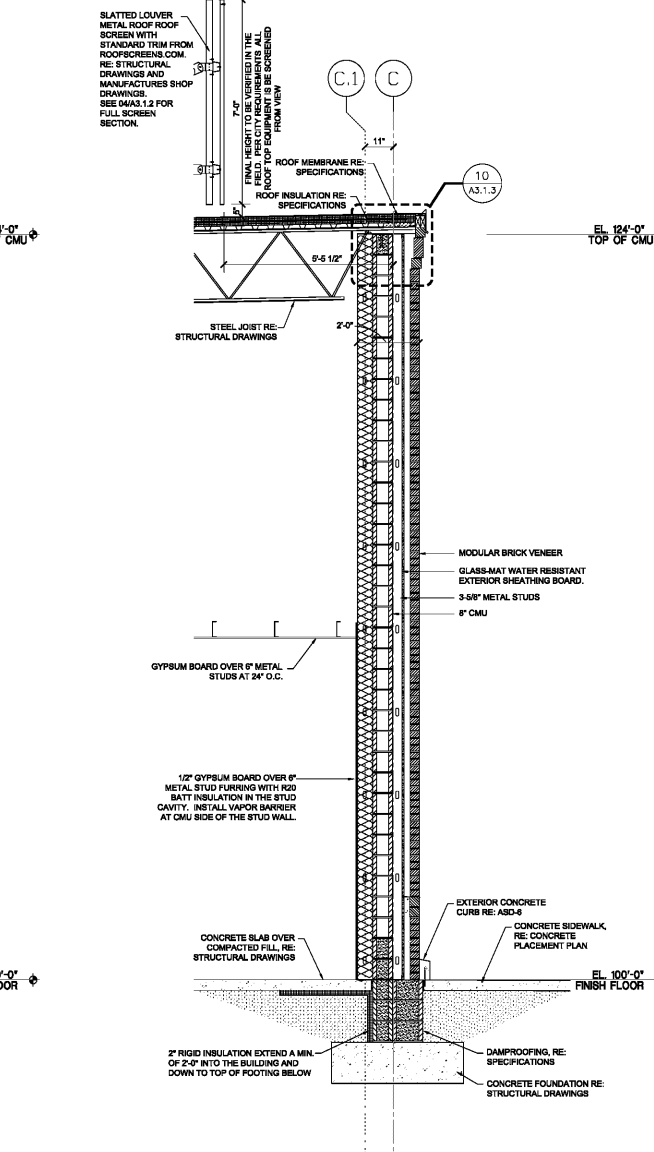
01 WALL SECTION  
SCALE: 1/2" = 1'-0"



02 WALL SECTION  
SCALE: 1/2" = 1'-0"



03 WALL SECTION  
SCALE: 1/2" = 1'-0"



04 WALL SECTION  
SCALE: 1/2" = 1'-0"

Order Plans @ www.LDILine.com

**Kroger**  
KROGER  
STORE #473  
2013 UNIVERSITY AVENUE  
OXFORD, MISSISSIPPI 38655  
A DEVELOPMENT OF THE KROGER COMPANY

**naos**  
Naos Design Group Of Mississippi, PLLC.  
MARC BREETZ, ARCHITECT  
645 Lakeland East Drive Suite 101  
Flowood, Mississippi 39232  
(p) 303.759.5777  
(f) 720.360.4281  
ARCHITECT OF RECORD

**CDS**  
COMMERCIAL DESIGN SYSTEMS, INC.  
13825 SW GALBREATH DRIVE  
SHERWOOD, OREGON 97140  
503.855.7000 (P) 503.855.9002  
INTERIOR DECOR

**Pickering Firm, Inc.**  
Architecture - Engineering  
Planning - Surveying  
6775 Lenox Center Court, Suite 300  
Memphis, TN 38115  
901.726.0819  
ENGINEER OF RECORD:  
STRUCTURAL  
MECHANICAL  
ELECTRICAL  
CIVIL ENGINEER

**SOFT**  
INFRASTRUCTURE  
1650 CHESTER ROAD  
CINCINNATI, OH 45216  
T: 513-670-3069  
LOW VOLTAGE

**telgian**  
TELGIAN CORPORATION  
10230 SOUTH 50TH PLACE  
SUITE 100  
PHOENIX, AZ 85044  
T: (602) 836-4428  
HTTP://WWW.TELGIAN.COM  
FIRE PROTECTION

ISSUE LOG

NO.	REV.	DESCRIPTION	DATE
1	-	PERMIT SET	12/05/18
2	-	BID SET	03/21/19

JOB: 2018041 SCALE: AS NOTED  
SHEET NO.

**A3.1.3**  
WALL SECTIONS AND DETAILS

COPYRIGHT © 2018 NAOS DESIGN GROUP OF MISSISSIPPI, PLLC. THESE DRAWINGS OR PARTS THEREOF ARE THE PROPERTY OF NAOS DESIGN GROUP OF MISSISSIPPI, PLLC. ANY REPRODUCTION OR USE OF THESE DRAWINGS WITHOUT THE WRITTEN CONSENT OF NAOS DESIGN GROUP OF MISSISSIPPI, PLLC IS STRICTLY PROHIBITED.