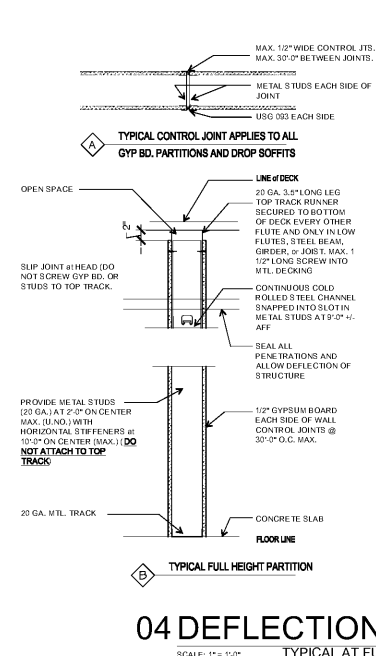
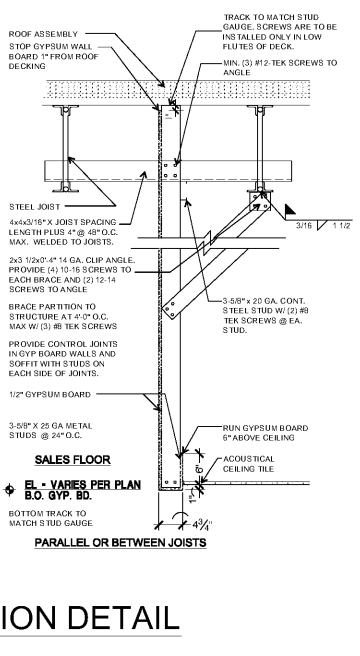
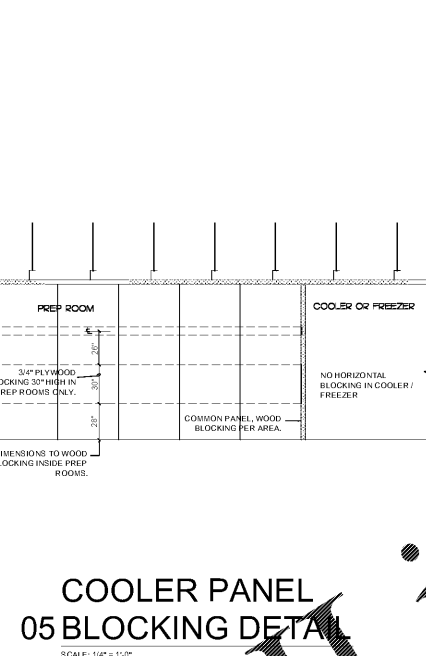
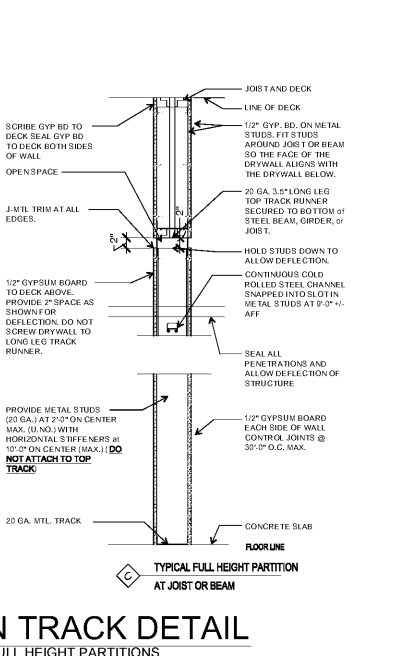


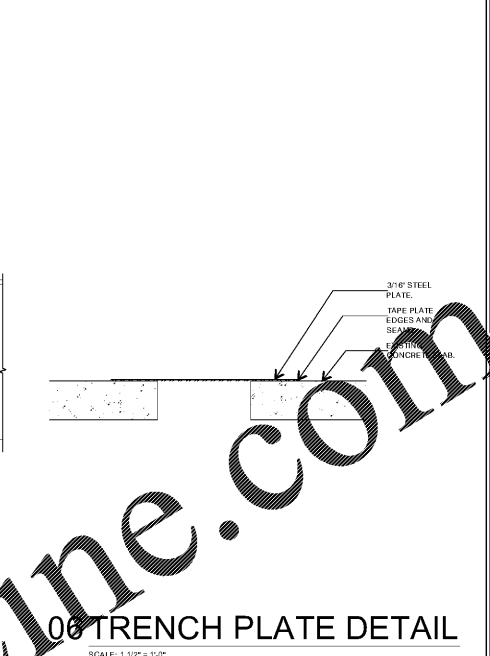
03 DROP PARTITION DETAIL
SCALE: 1/2" = 1'-0"



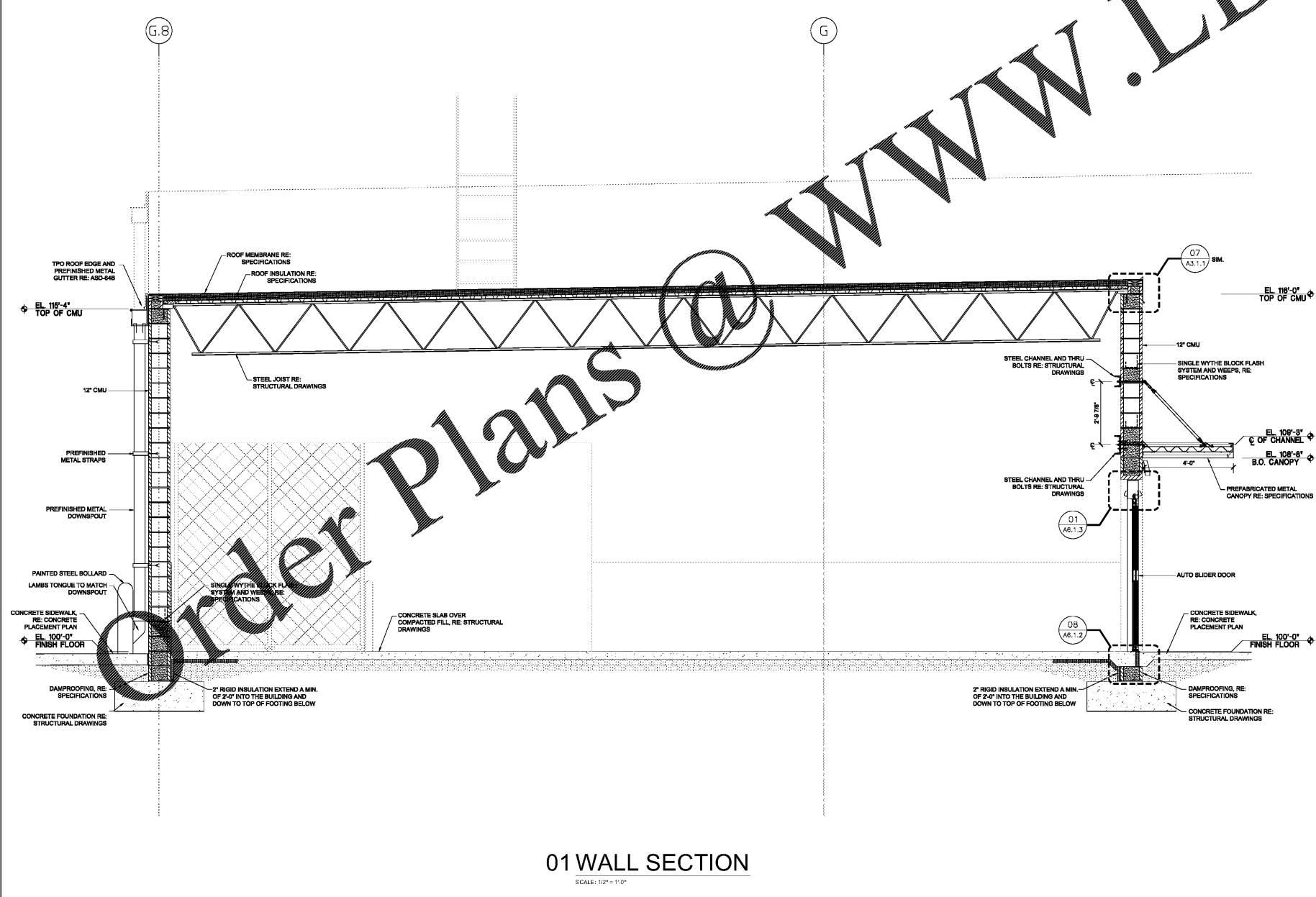
04 DEFLECTION TRACK DETAIL
SCALE: 1/2" = 1'-0"



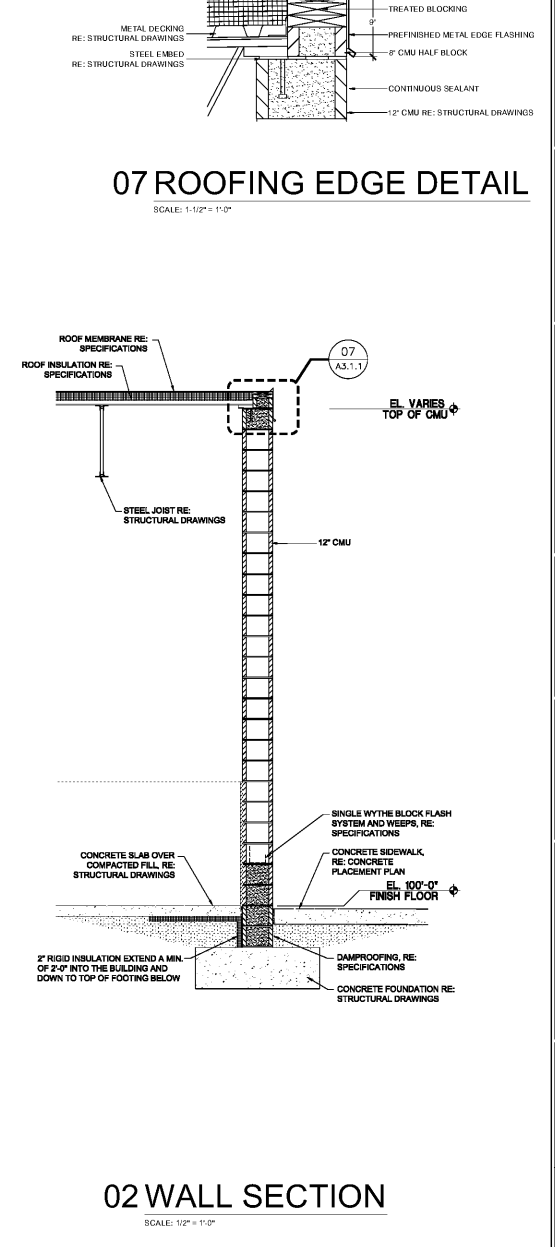
05 BLOCKING DETAIL
SCALE: 1/2" = 1'-0"



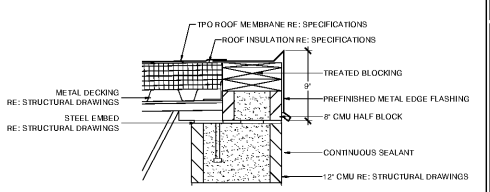
06 TRENCH PLATE DETAIL
SCALE: 1/2" = 1'-0"



01 WALL SECTION
SCALE: 1/2" = 1'-0"



02 WALL SECTION
SCALE: 1/2" = 1'-0"



07 ROOFING EDGE DETAIL
SCALE: 1/2" = 1'-0"

Kroger
KROGER
STORE #473
2013 UNIVERSITY AVENUE
OXFORD, MISSISSIPPI 38655
A DEVELOPMENT OF THE KROGER COMPANY

naos
Naos Design Group Of Mississippi, PLLC.
MARC BREETZ, ARCHITECT
645 Lakeland East Drive Suite 101
Flowood, Mississippi 39232
(p) 303.759.5777
(f) 720.360.4281
ARCHITECT OF RECORD

CDS
COMMERCIAL DESIGN SYSTEMS, INC.
13825 SW GALEREAH DRIVE SHERWOOD, OREGON 97140
503.885.7000 (P) 503.825.8902
INTERIOR DECOR

Pickering
Pickering Firm, Inc.
Architecture - Engineering
Planning - Surveying
6775 Lenox Center Court Suite 300 Memphis, TN 38115
901.726.0810
ENGINEER OF RECORD:
STRUCTURAL
MECHANICAL
ELECTRICAL
CIVIL ENGINEER

AVSOFT
INFRASTRUCTURE
1850 CHESTER ROAD CINCINNATI, OH 45216
T: 513-670-3069
LOW VOLTAGE

telgian
TELGIAN CORPORATION
10230 SOUTH 50TH PLACE SUITE 100
PHOENIX, AZ 85044
T: (602) 836-4426
HTTP://WWW.TELGIAN.COM
FIRE PROTECTION

ISSUE LOG

NO.	REV.	DESCRIPTION	DATE
1	-	PERMIT SET	12/05/18
2	-	BID SET	03/21/19

JOB: 2018041 SCALE: AS NOTED

SHEET NO.
A3.1.1
WALL SECTIONS AND DETAILS

COPYRIGHT © 2018 NAOS DESIGN GROUP OF MISSISSIPPI, PLLC. THESE DRAWINGS OR PARTS THEREOF ARE NOT TO BE REPRODUCED IN ANY FORM, BY ANY METHOD, OR BY ANY MEANS, WITHOUT THE WRITTEN CONSENT OF NAOS DESIGN GROUP OF MISSISSIPPI, PLLC.