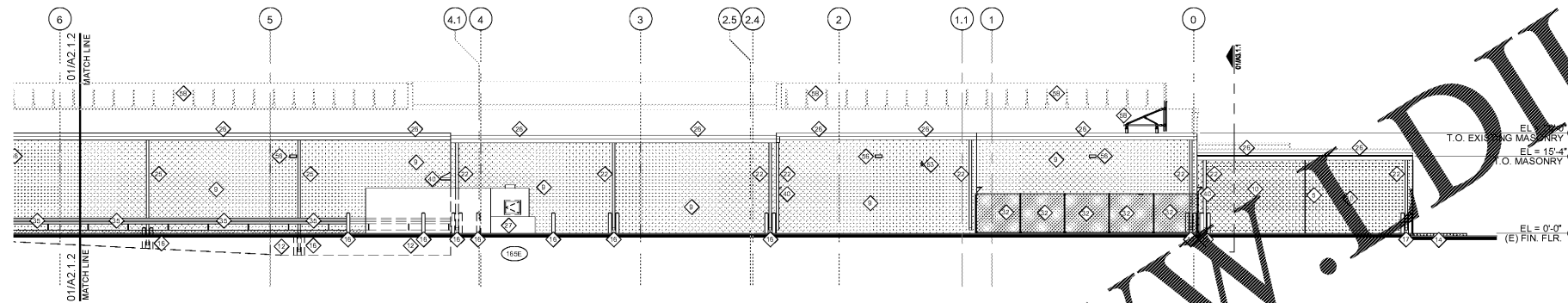
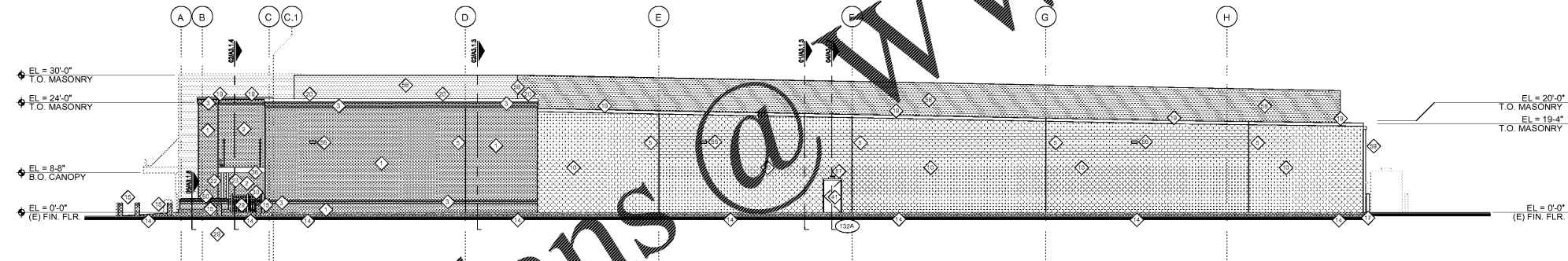


01 PARTIAL NORTH ELEVATION EAST
SCALE: 3/32" = 1'-0"



02 PARTIAL NORTH ELEVATION WEST
SCALE: 3/32" = 1'-0"



03 EAST ELEVATION
SCALE: 3/32" = 1'-0"

LEGEND, SYMBOLS AND NOTES APPLY TO SHEETS A2.1.1, A2.1.2 AND A2.1.3. SOME ITEMS MAY NOT APPEAR ON THIS SHEET.

SYMBOL LEGEND

- (X) WINDOW LETTER. REFER TO WINDOW SCHEDULE ON A5.1.4
 - (#) DOOR FRAME NUMBER. REFER TO DOOR AND FRAME SCHEDULE ON A5.1.1 & A5.1.2
- EXTERIOR FINISHES**
- SEE SPECIFICATION SECTION 01 51 23 FOR EXTERIOR FINISH INFORMATION.
- (A5-0) AUTOMATIC ENTRANCE DOOR ASSEMBLIES - CLEAR ANODIZED
 - (A5-01) ALUMINUM STOREFRONT - CLEAR ANODIZED
 - (BR-0) MODULAR BRICK - GLEN GERY REDBURN, WITH COLOR MATCHED DARK GRAY MORTAR TO MATCH EXISTING
 - (BR-01) MODULAR BRICK - GLEN GERY REDBURN, WITH WHITE MORTAR TO MATCH EXISTING
 - (BR-02) SOLIDER BRICK - GLEN GERY REDBURN, WITH COLOR MATCHED DARK GRAY MORTAR TO MATCH EXISTING
 - (BR-03) ROWLOCK BRICK - GLEN GERY REDBURN, WITH COLOR MATCHED DARK GRAY MORTAR TO MATCH EXISTING
 - (CN-0) MANUFACTURED CANOPY - MAFES INDUSTRIES PREFINISHED METAL - CLEAR ANODIZED
 - (FC-0) DECORATIVE METAL FENCE GATE - GILPIN GALVANNEE ELITE - RE: L&S
 - (FC-01) HORIZONTAL FIBER CEMENT SIDING - 48\"/>

GENERAL NOTES

1. PREPARE AND/OR REPAIR MATERIALS TO RECEIVE NEW FINISHES TO INCLUDE SCRAPING, SANDING, REPAIRING, CLEANING, PRIMING, ETC. AS NECESSARY FOR A SMOOTH, CONTIGUOUS FINISH. TRUCK FRONT MASONRY JOINTS.
2. INSTALL CONTROL JOINT SEALANT WITH BACKER ROD AT ALL NEW AND EXISTING JOINTS. MATCH COLOR OF ADJACENT WALL FINISH OR GROUT. TYPICAL OF ALL CONTROL JOINTS ON THE EXTERIOR OF THE BUILDING AND ROOF.
3. PAINT EXPOSED CONDUIT, PIPES, WIRING, PANELS, ETC. TO MATCH ADJACENT WALL.
5. REPLACE ALL WEATHER STRIPPING AT EXTERIOR HOLLOW METAL DOORS.
6. REFER TO A5.1 SERIES FOR ARCHITECTURAL STANDARD DETAILS (ASD'S) AND GENERAL INSTALLATION DETAILS (GSD'S).

KEYED NOTES

1. INSTALL MODULAR BRICK, BR-01.
2. INSTALL MODULAR BRICK, BR-02.
3. INSTALL SOLIDER BRICK, BR-03.
4. INSTALL ROWLOCK BRICK, BR-04.
5. INSTALL MASONRY CONTROL JOINT, RE: DA03.1.4
6. INFILL OPENING WITH SALVAGED BRICK FROM DEMOLISHED WALL WITH COLOR MATCHED DARK GRAY MORTAR TO MATCH EXISTING. INSTALL WALL BACKING BEHIND SALVAGED BRICK SIMILAR TO WALL SECTION 03A3.1.3.
7. INFILL OPENING WITH SALVAGED BRICK FROM DEMOLISHED WALL WITH WHITE MORTAR TO MATCH EXISTING. WALL BACKING BEHIND SALVAGED BRICK SIMILAR TO WALL SECTION 03A3.1.3.
8. INSTALL SOLIDER COURSE INFILL WITH SALVAGED BRICK FROM DEMOLISHED WALL WITH COLOR MATCHED DARK GRAY MORTAR TO MATCH EXISTING. INSTALL WALL BACKING BEHIND SALVAGED BRICK SIMILAR TO WALL SECTION 03A3.1.3.
9. PAINT EXISTING CMU BLOCK PT-13.
10. PAINT NEW CMU BLOCK PT-13.
11. INSTALL NEW HORIZONTAL FIBER CEMENT SIDING, FC-01.
12. EXISTING TRUCK WELL CONCRETE TO REMAIN UNPAINTED.
13. INSTALL NEW GRAY CONCRETE CURB PER ASD-6.
14. INSTALL NEW CURB AND GUTTER. RE: CIVIL DRAWINGS.
15. INSTALL DECORATIVE CONCRETE BOLLARD. RE: ASD-151.
16. PAINT EXISTING BOLLARD PT-08.
17. INSTALL 6\"/>

KEYED NOTES CONTINUED

58. INSTALL SLATTED LOUVER METAL SCREEN WITH STANDARD TRIM FROM ROOFSCREEN.COM. RE: STRUCTURAL DRAWINGS AND MANUFACTURERS SHOP DRAWINGS.
59. INSTALL METAL DOWNSPOUT, MD-01, FROM ROOF GUTTER, MD-01, TO UNDER GROUND STORM DRAIN. RE: CIVIL AND PLUMBING DRAWINGS.
60. NEW PLANTER WITH CAST STONE CAP, MODULAR BRICK, BR-01, AND CONCRETE CURB PER ASD-6. RE: LANDSCAPE DRAWINGS FOR PLANTING MATERIALS AND BRICKWORK.

KEYED NOTES CONTINUED

41. INSTALL NEW INSULATED HOLLOW METAL DOOR AND FRAME AND PAINT, PT-03. INSTALL METAL Drip EDGE ABOVE DOOR. RE: DOOR HARDWARE SPECIFICATIONS.
42. INSTALL NEW AUTOMATIC SLIDING DOOR, AE-01.
43. INSTALL NEW STOREFRONT DOOR, AS-01.
44. INSTALL NEW OVERHEAD DOOR AND FRAME SIMILAR TO ASD-148A. PAINT FRAME, PT-013. THE OVERHEAD DOOR IS TO BE PREFINISHED TO MATCH PT-013.
45. INSTALL ROLLER POST PER ASD-149 AND SIMILAR TO ASD-20.
46. INSTALL NEW DOCK SEALS AND BUMPERS PER ASD-152.
47. INSTALL NEW STOREFRONT GLAZING, AS-01.
48. INSTALL NEW PHARMACY WINDOW, AS-01, PER ASD-5.
49. INSTALL NEW VINYL LETTER ADDRESS SIGN ABOVE ENTRY SLIDER. CONFIRM EXACT LOCATION AND SIZE OF NUMERALS WITH FIRE DEPARTMENT.
50. CONTRACTOR TO INSTALL 1/2\"/>

Order Plans @ www.DJLine.com

KROGER
STORE #473

2013 UNIVERSITY AVENUE
OXFORD, MISSISSIPPI 38655

A DEVELOPMENT OF:
THE KROGER COMPANY

naos
Naos Design Group Of Mississippi, PLLC.

MARC BREETZ, ARCHITECT

645 Lakeland East Drive
Suite 101
Flowood, Mississippi 39232
(p) 303.759.5777
(f) 720.360.4281

ARCHITECT OF RECORD

CDS
COMMERCIAL DESIGN SYSTEMS, INC.

13825 SW GALEREAH DRIVE
SHERWOOD, OREGON 97140
503.855.7000 (P) 503.625.5902

INTERIOR DECOR

Pickering Firm, Inc.
Architects - Engineering
Planning - Surveying

6775 Lenox Center Court, Suite 300
Memphis, TN 38115
(901) 726.0810

ENGINEER OF RECORD:
STRUCTURAL
MECHANICAL
ELECTRICAL
CIVIL ENGINEER

V-SOFT
INFRASTRUCTURE

1500 CHESTER ROAD
CINCINNATI, OH 45216
T: 513-970-3069

LOW VOLTAGE

telgian
TELGIAN CORPORATION

10230 SOUTH 50TH PLACE
SUITE 100
PHOENIX, AZ 85044
T: (602) 836-4428
HTTP://WWW.TELGIAN.COM
FIRE PROTECTION

ISSUE LOG

NO.	REV.	DESCRIPTION	DATE
1	-	PERMIT SET	12/05/18
2	-	BID SET	03/21/19

JOB: 2018041 SCALE: 3/32" = 1'-0"

SHEET NO. **A2.1.2**
EXTERIOR ELEVATIONS

COPYRIGHT © 2018 BY V-SOFT INFRASTRUCTURE, A DIVISION OF MISSISSIPPI. ALL RIGHTS RESERVED. NO PART OF THIS PUBLICATION MAY BE REPRODUCED OR TRANSMITTED IN ANY FORM OR BY ANY MEANS, ELECTRONIC OR MECHANICAL, WITHOUT THE WRITTEN CONSENT OF V-SOFT.