



KROGER
STORE #473

2013 UNIVERSITY AVENUE
OXFORD, MISSISSIPPI 38655

A DEVELOPMENT OF
THE KROGER COMPANY

naos
Naos Design Group Of Mississippi, PLLC.
MARC BREETZ, ARCHITECT
645 Lakeland East Drive Suite 101
Flowood, Mississippi 39232
(p) 303.759.5777
(f) 720.360.4281

ARCHITECT OF RECORD



CDS
COMMERCIAL DESIGN SYSTEMS, INC.
13825 SW GALBREATH DRIVE
SHERWOOD, OREGON 97140
503.855.7000 (P) 503.825.8902

INTERIOR DECOR



Pickering
Pickering Firm, Inc.
Architecture - Engineering
Planning - Surveying
6775 Lenox Center Court, Suite 300
Memphis, TN 38115
901.726.8810

ENGINEER OF RECORD:
STRUCTURAL
MECHANICAL
ELECTRICAL
CIVIL ENGINEER



V-SOFT
INFRASTRUCTURE
11280 CHESTER ROAD
CINCINNATI, OH 45246
T: 513-990-3810
LOW VOLTAGE



telgian
TELGIAN CORPORATION
10230 SOUTH 50TH PLACE
SUITE 100
PHOENIX, AZ 85044
T: (602) 938-4426
HTTP://WWW.TELGIAN.COM
FIRE PROTECTION

ISSUE LOG

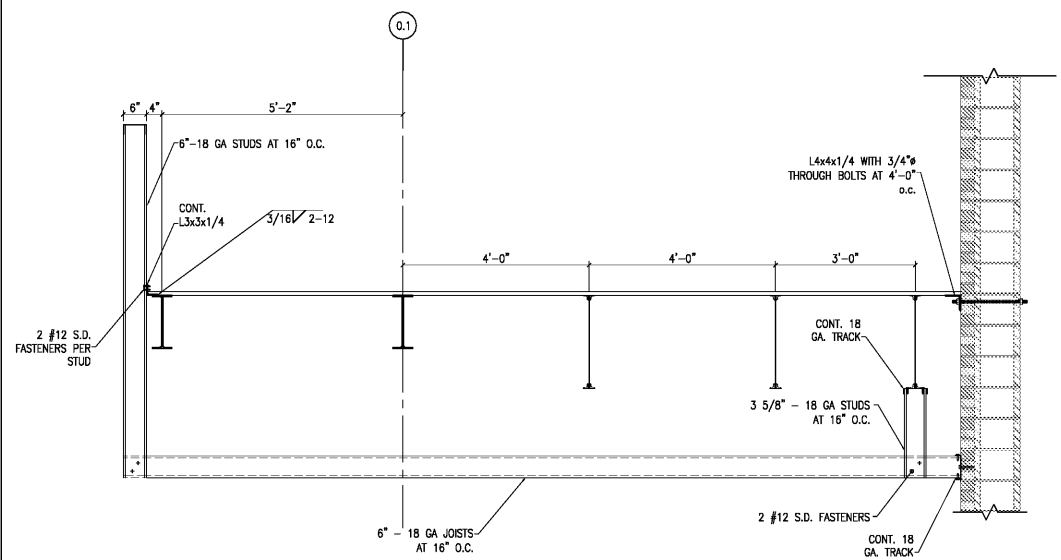
NO.	REV.	DESCRIPTION	DATE
1	-	PERMIT SET	12/05/18
2	-	BID SET	03/21/19

JOB NO. 2019041 SCALE AS SHOWN

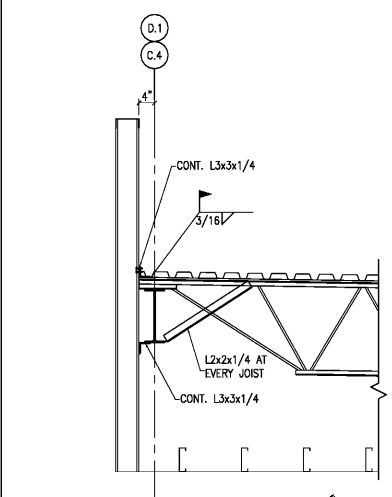
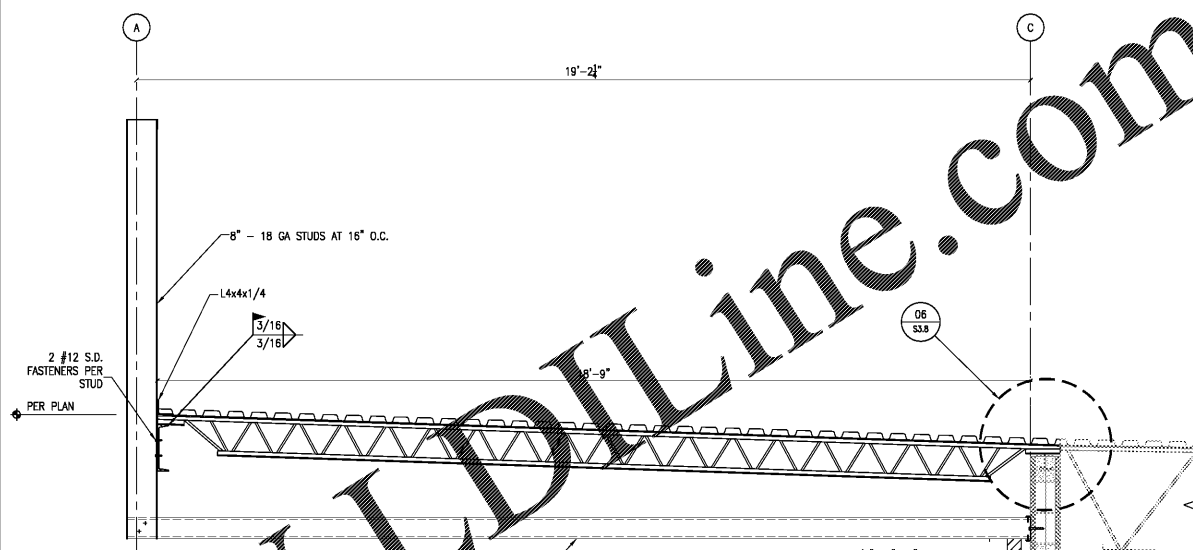
SHEET NO.

S3.8
SECTION AND DETAILS

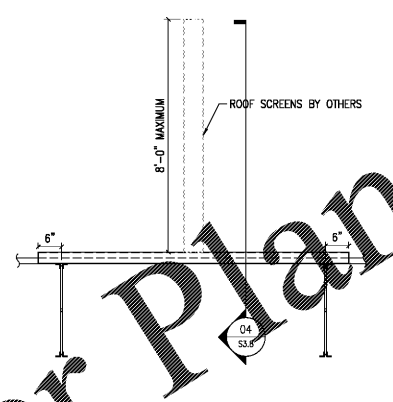
COPYRIGHT © 2018 NAOS DESIGN GROUP OF MISSISSIPPI, PLLC. THESE DRAWINGS OR PART THEREOF MAY NOT BE REPRODUCED, COPIED, EITHER WHOLLY OR IN PART, FOR ANY PURPOSE, WITHOUT PRIOR WRITTEN CONSENT FROM NAOS.



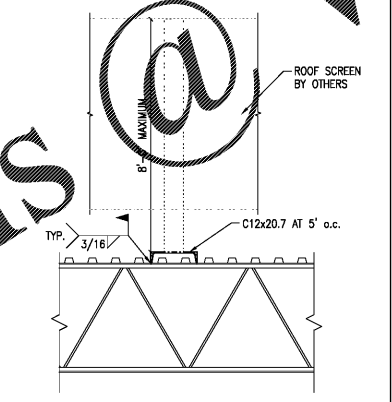
01 SECTION AT CANOPY
3/4"=1'-0" S-DET524



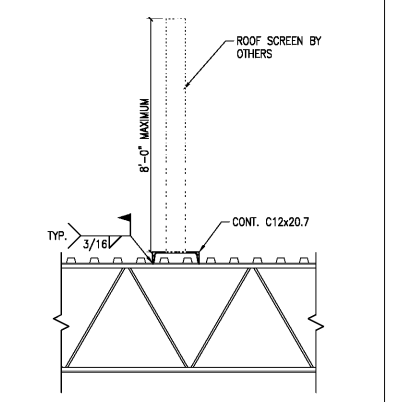
02 SECTION AT CANOPY
3/4"=1'-0" S-DET536



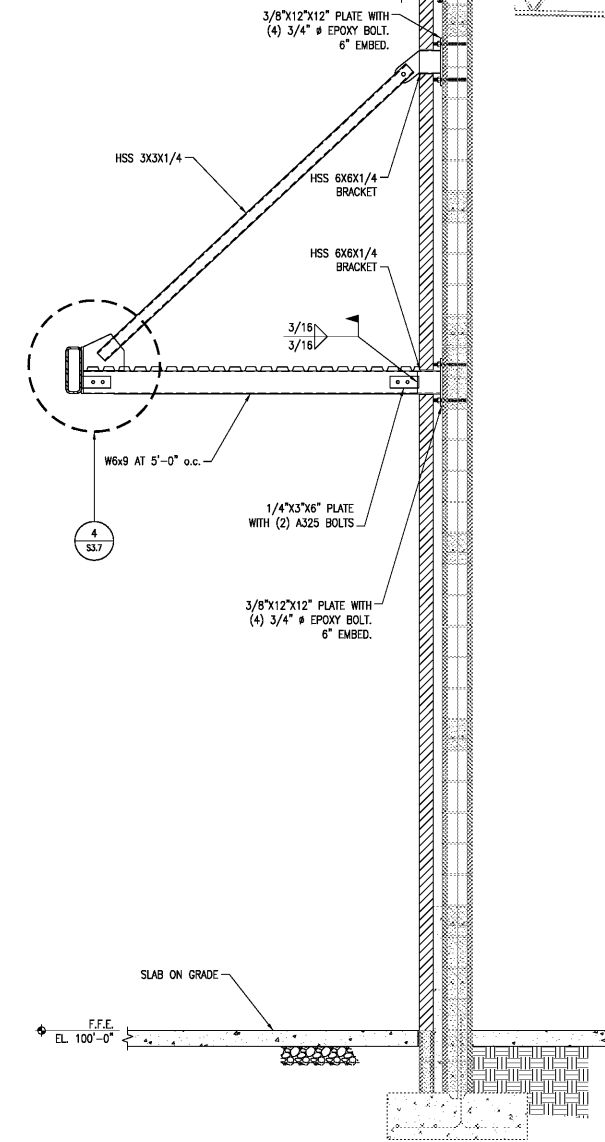
03 ROOF SCREEN JOIST ATTACHMENT DETAIL
3/4"=1'-0" S-DET537



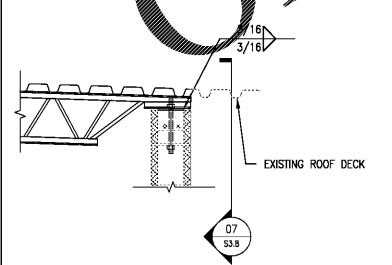
04 ROOF SCREEN JOIST ATTACHMENT DETAIL
3/4"=1'-0" S-DET538



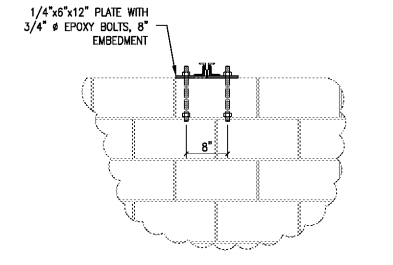
05 ROOF SCREEN JOIST ATTACHMENT DETAIL
3/4"=1'-0" S-DET539



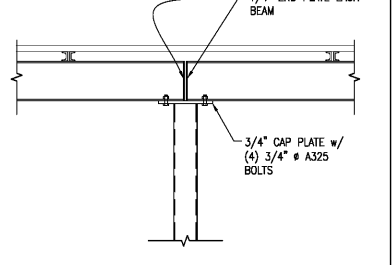
10 WALL SECTION
3/4"=1'-0" S-DET042



06 AT NEW JOIST BEARING
1"=1'-0" S-DET415A



07 SECTION
1"=1'-0" S-DET415A



08 DETAIL
3/4"=1'-0" S-DET540

09 NOT USED
3/4"=1'-0" S-DET544

Order Plans @ WWW.LDILine.com