



KROGER  
STORE #473

2013 UNIVERSITY  
AVENUE  
OXFORD, MISSISSIPPI  
38655

A DEVELOPMENT OF  
THE KROGER COMPANY

**naos**  
Naos Design  
Group Of  
Mississippi,  
PLLC.

MARC BREETZ,  
ARCHITECT

645 Lakeland East Drive  
Suite 101  
Flowood, Mississippi 39232  
(p) 303.759.5777  
(f) 720.360.4281

ARCHITECT OF RECORD



**CDS**  
COMMERCIAL DESIGN SYSTEMS,  
INC.  
13825 SW GALBREATH DRIVE  
SHERWOOD, OREGON 97140  
503.855.7000 (P) 503.825.8902  
INTERIOR DECOR



**Pickering Firm, Inc.**  
Architecture - Engineering  
Planning - Surveying  
6775 Lenox Center Court, Suite 300  
Memphis, TN 38115  
901.726.8810

ENGINEER OF RECORD:  
STRUCTURAL  
MECHANICAL  
ELECTRICAL  
CIVIL ENGINEER



**V-SOFT**  
INFRASTRUCTURE  
11280 CHESTER  
ROAD  
CINCINNATI, OH  
45246  
T: 513-950-3819  
LOW VOLTAGE



**telgian**  
TELGIAN CORPORATION  
10230 SOUTH 50TH PLACE  
SUITE 100  
PHOENIX, AZ 85044  
T: (602) 938-4426  
HTTP://WWW.TELGIAN.COM  
FIRE PROTECTION

ISSUE LOG

NO.	REV.	DESCRIPTION	DATE
1	-	PERMIT SET	12/05/18
2	-	BID SET	03/21/19

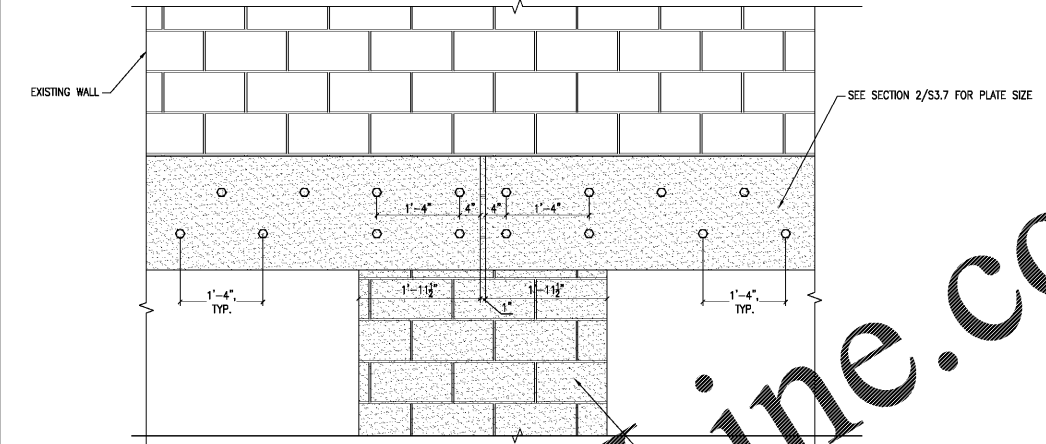
JOB: 2018041 SCALE: AS SHOWN

SHEET NO.

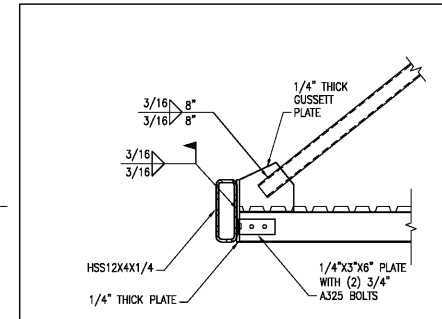
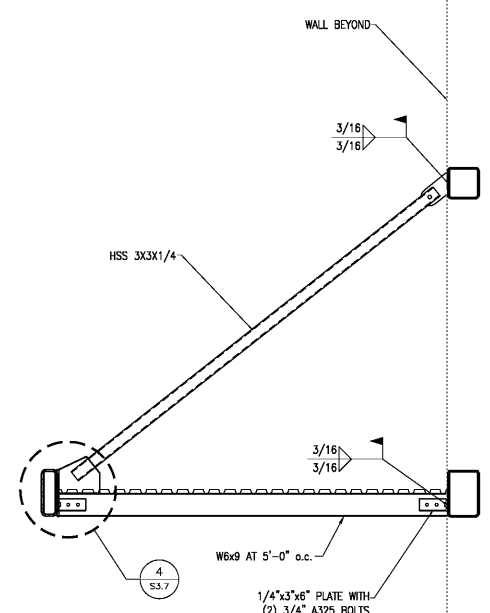
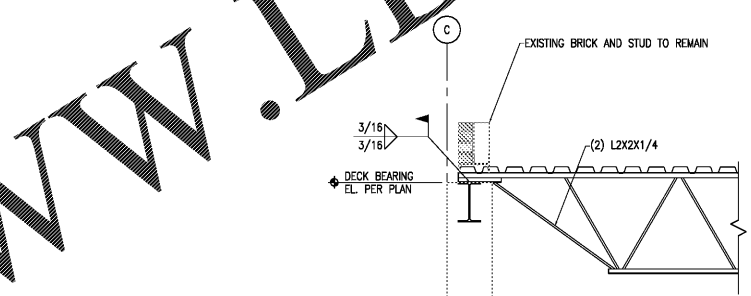
**S3.7**

WALL SECTIONS AND DETAILS

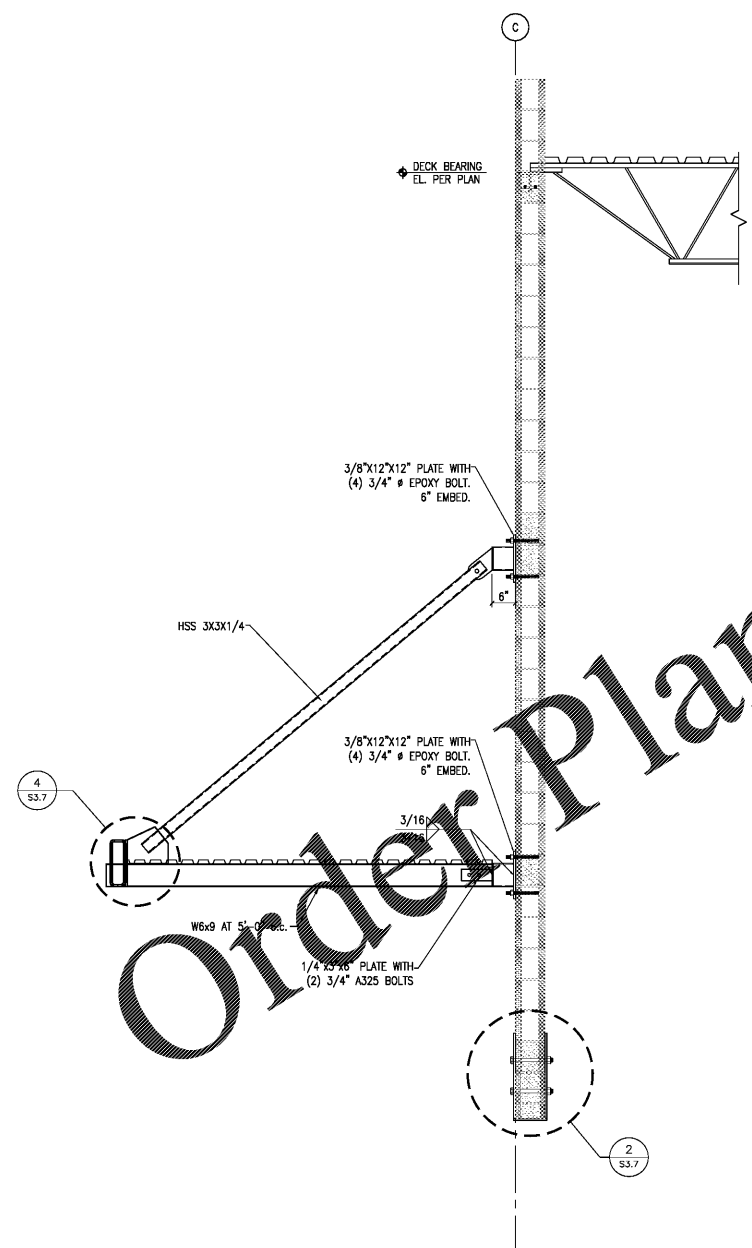
COPYRIGHT © 2018 NAOS DESIGN GROUP OF MISSISSIPPI, PLLC. THESE DRAWINGS OR PARTS THEREOF MAY NOT BE REPRODUCED, COPIED, EITHER WHOLLY OR IN PART, FOR ANY PURPOSES WITHOUT PRIOR WRITTEN CONSENT FROM NAOS.



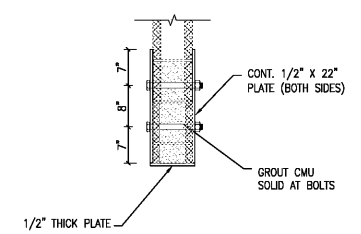
05 ELEVATION VIEW AT  
WALL OPENING  
1'-1'-0" S-DET286A



04 CANOPY TUBE CONNECTION  
1'-1'-0" S-DET415



01 SECTION  
3/4'-1'-0" S-DET287A



02 TOP OF OPENING DETAIL  
1'-1'-0" S-DET414

Order Plans @ WWW.LDIDLINE.COM