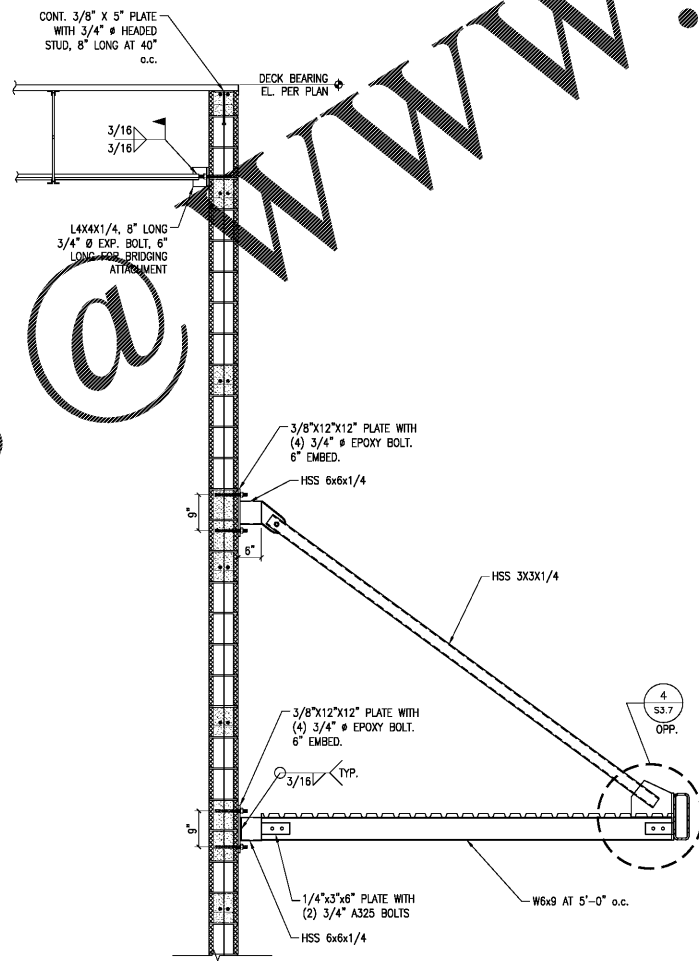
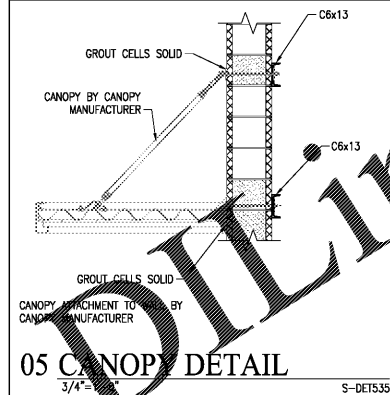


01 WALL SECTION
3/4"=1'-0" S-DET043



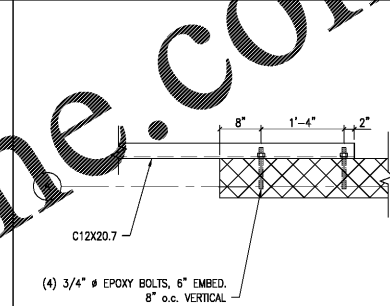
02 WALL SECTION
3/4"=1'-0" S-DET044

03 BEAM TO WALL CONNECTION
1"=1'-0" S-DET529

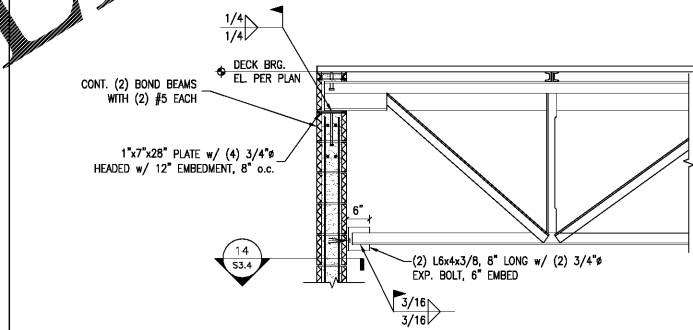


05 CANOPY DETAIL
3/4"=1'-0" S-DET535

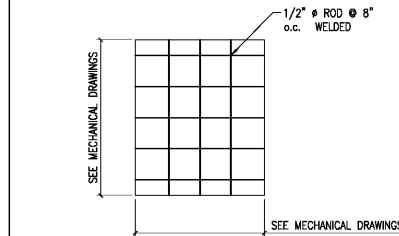
04 EYEBROW SIGNAGE DETAIL
1"=1'-0" S-DET534



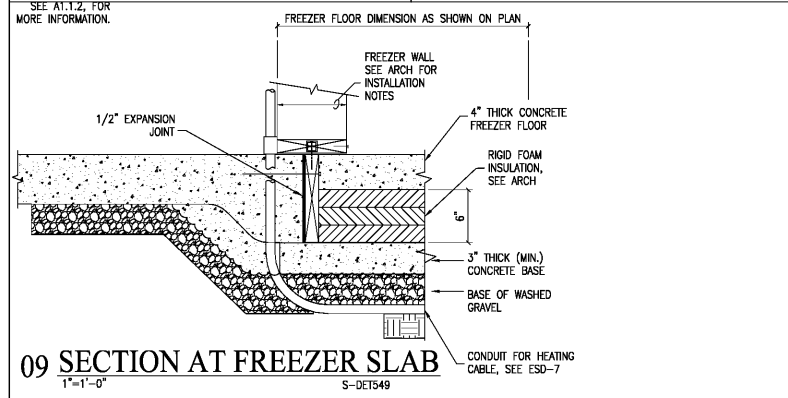
06 PLAN DETAIL AT CHANNEL
1"=1'-0" S-DET545



07 GIRDER BEARING ON - 8" CMU
3/4"=1'-0" S-DET539



08 RTU BURGLAR BARS
3/4"=1'-0" S-DET538



09 SECTION AT FREEZER SLAB
1"=1'-0" S-DET549

Kroger
KROGER
STORE #473
2013 UNIVERSITY AVENUE
OXFORD, MISSISSIPPI 38655
A DEVELOPMENT OF THE KROGER COMPANY

naos
Naos Design Group Of Mississippi, PLLC.
MARC BREETZ, ARCHITECT
645 Lakeland East Drive Suite 101
Flowood, Mississippi 39232
(p) 303.759.5777
(f) 720.360.4281
ARCHITECT OF RECORD

CDS
COMMERCIAL DESIGN SYSTEMS, INC.
13825 SW GALBREATH DRIVE
SHERWOOD, OREGON 97140
503.855.7000 (p) 503.855.8902
INTERIOR DECOR

Pickering
Pickering Firm, Inc.
Architecture - Engineering
Planning - Surveying
6775 Lenox Center Court, Suite 300
Memphis, TN 38115
901.726.8810

ENGINEER OF RECORD:
STRUCTURAL
MECHANICAL
ELECTRICAL
CIVIL ENGINEER

V-SOFT
INFRASTRUCTURE
11280 CHESTER ROAD
CINCINNATI, OH 45248
T: 513-990-3819
LOW VOLTAGE

telgian
TELGIAN CORPORATION
10230 SOUTH 50TH PLACE
SUITE 100
PHOENIX, AZ 85044
T: (602) 836-4426
HTTP://WWW.TELGIAN.COM
FIRE PROTECTION

ISSUE LOG

NO.	REV.	DESCRIPTION	DATE
1	-	PERMIT SET	12/05/18
2	-	BID SET	03/21/19

JOB: 2019041 SCALE: AS SHOWN

SHEET NO.

S3.6
WALL SECTIONS AND DETAILS

COPYRIGHT © 2018 NAOS DESIGN GROUP OF MISSISSIPPI, PLLC. THESE DRAWINGS OR PARTS THEREOF MAY NOT BE REPRODUCED, COPIED, EITHER WHOLLY OR IN PART, FOR ANY PURPOSE, WITHOUT PRIOR WRITTEN CONSENT FROM NAOS.