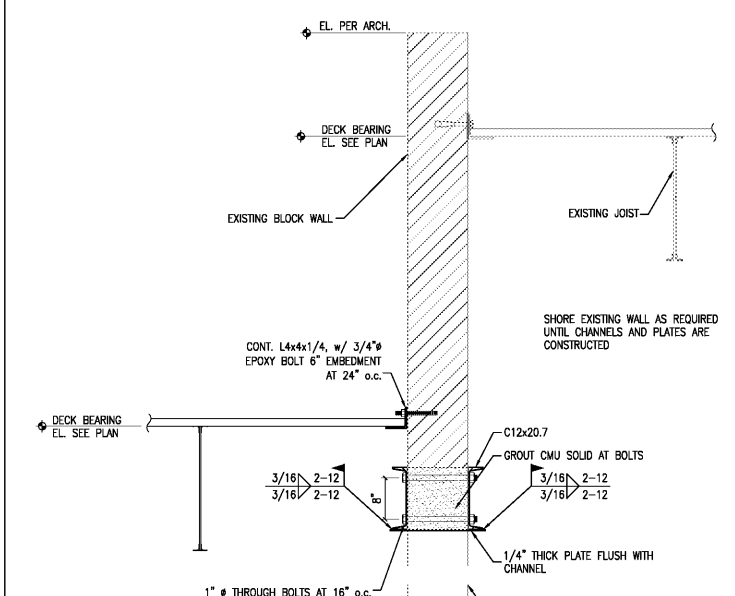
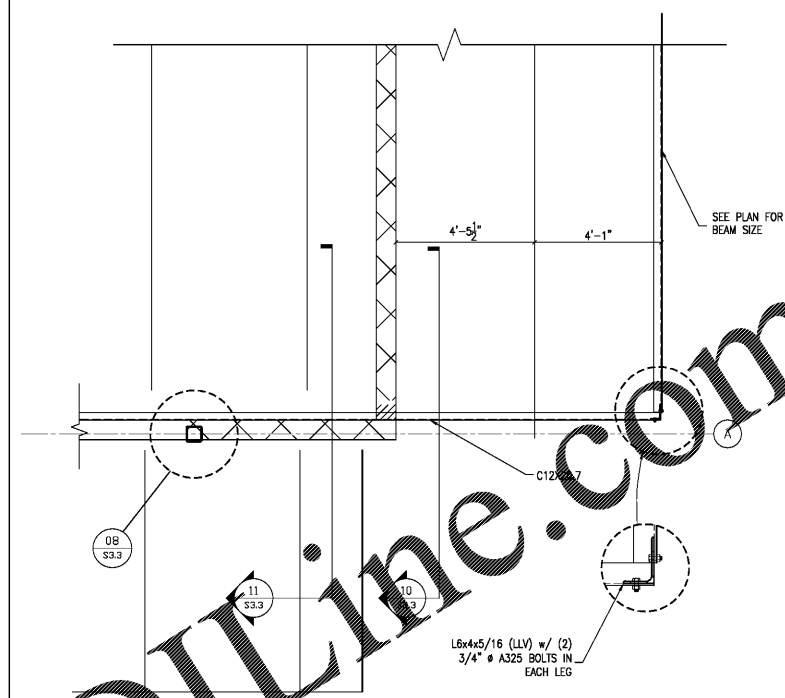


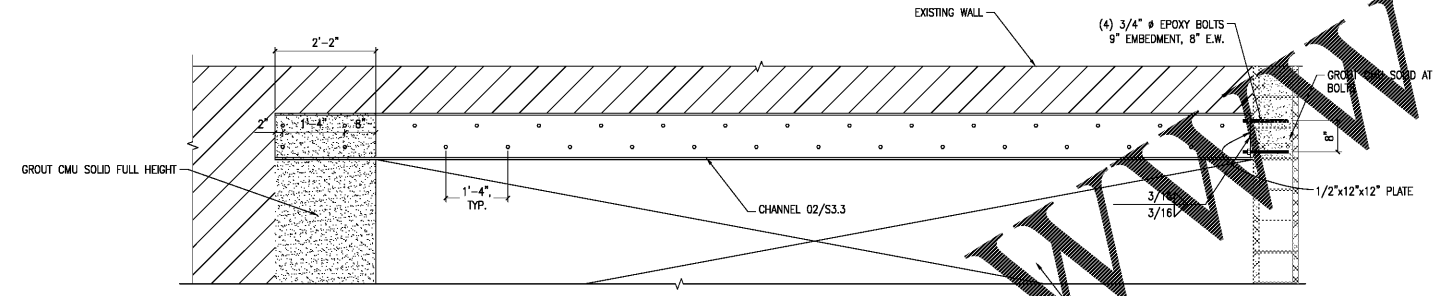
SECTION AT ROOF-01 IN PROGRESS WALL DEMOLITION
1"=1'-0" S-DET287



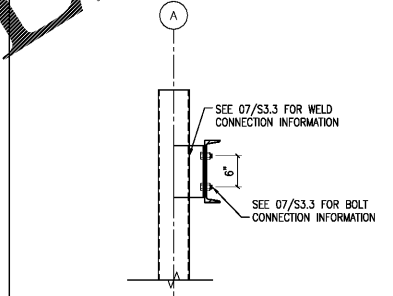
02 SECTION
1"=1'-0" S-DET532



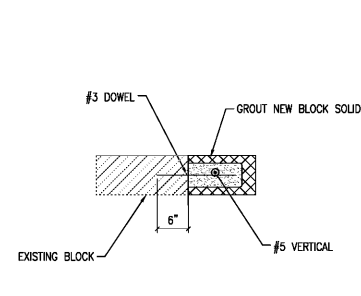
03 PLAN DETAIL
1/2"=1'-0" S-DET515



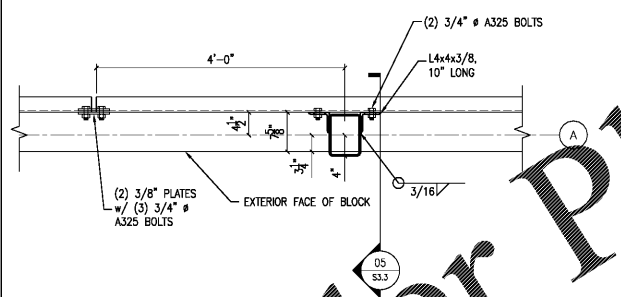
SECTION PARALLEL TO WALL OPENING
3/4"=1'-0" S-DET286



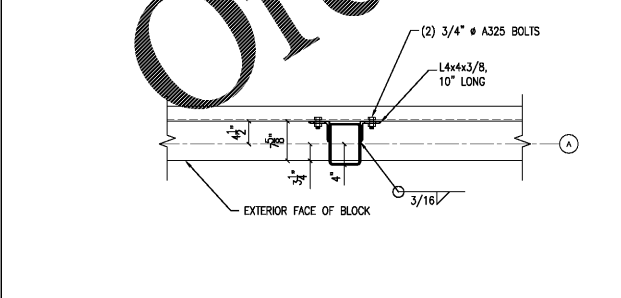
05 DETAIL AT COLUMN
1"=1'-0" S-DET527



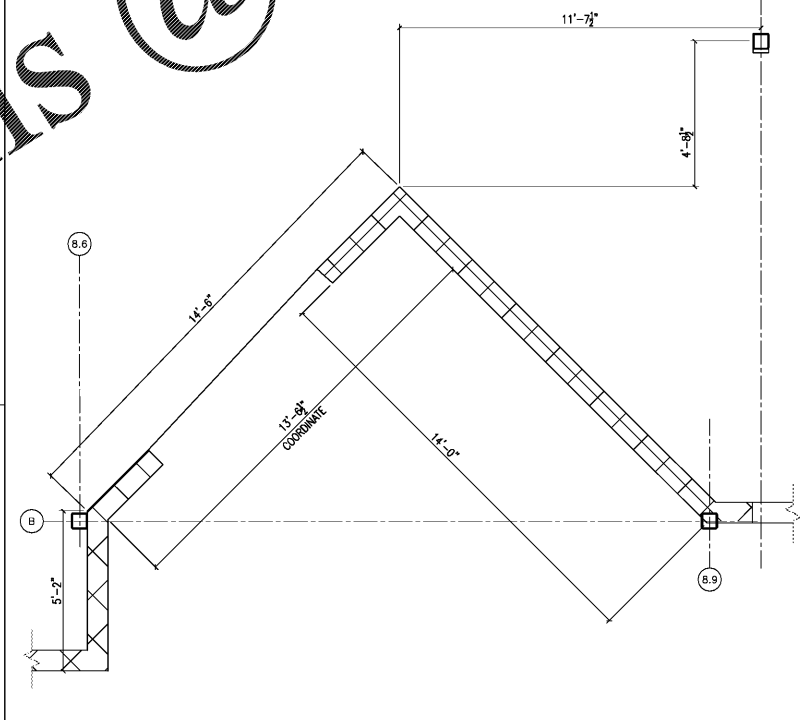
06 PLAN DETAIL
1"=1'-0" S-DET514



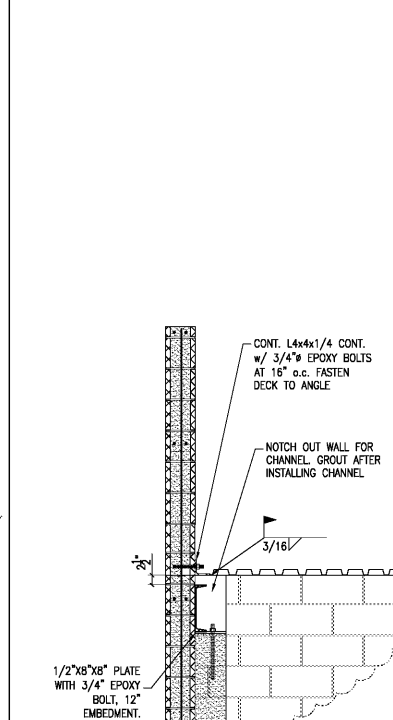
07 PLAN DETAIL
1"=1'-0" S-DET528



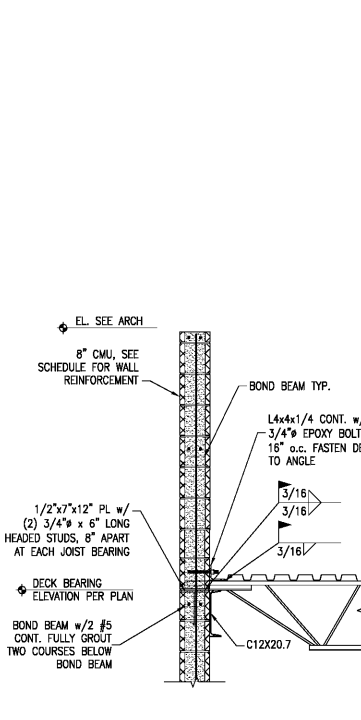
08 PLAN DETAIL
1"=1'-0" S-DET526



09 PARTIAL PLAN
1/2"=1'-0" S-DET199



10 CHANNEL DETAIL
3/4"=1'-0" S-DET518



JOIST BEARING DETAIL AT PARAPET
3/4"=1'-0" S-DET246

Order Plans @ www.LDilLine.com

Kroger
KROGER
STORE #473
2013 UNIVERSITY AVENUE
OXFORD, MISSISSIPPI 38655
A DEVELOPMENT OF THE KROGER COMPANY

naos
Naos Design Group Of Mississippi, PLLC.
MARC BREETZ, ARCHITECT
645 Lakeland East Drive Suite 101
Flowood, Mississippi 39232
(p) 303.759.5777 (f) 720.360.4281
ARCHITECT OF RECORD

CDS
COMMERCIAL DESIGN SYSTEMS, INC.
13825 SW GALBREATH DRIVE
SHERWOOD, OREGON 97140
503.855.7000 (F) 503.825.8902
INTERIOR DECOR

Pickering
Pickering Firm, Inc.
Architecture - Engineering
Planning - Surveying
6775 Lenox Center Court, Suite 300
Memphis, TN 38115
901.726.8810

ENGINEER OF RECORD:
STRUCTURAL
MECHANICAL
ELECTRICAL
CIVIL ENGINEER

V-SOFT
INFRASTRUCTURE
11280 CHESTER ROAD
CINCINNATI, OH 45246
T: 513-990-3819
LOW VOLTAGE

telgian
TELGIAN CORPORATION
10230 SOUTH 50TH PLACE
SUITE 100
PHOENIX, AZ 85044
T: (602) 836-4426
HTTP://WWW.TELGIAN.COM
FIRE PROTECTION

ISSUE LOG

NO.	REV.	DESCRIPTION	DATE
1	-	PERMIT SET	12/05/18
2	-	BID SET	03/21/19

JOB: 2019041 SCALE: AS SHOWN
SHEET NO.

S3.3
SECTIONS AND DETAILS

COPYRIGHT © 2018 NAOS DESIGN GROUP OF MISSISSIPPI, PLLC. ALL RIGHTS RESERVED. THIS DOCUMENT IS THE PROPERTY OF NAOS DESIGN GROUP OF MISSISSIPPI, PLLC. IT IS TO BE USED ONLY FOR THE PROJECT AND PURPOSES SPECIFIED IN THE CONTRACT DOCUMENTS. NO PART OF THIS DOCUMENT IS TO BE REPRODUCED OR TRANSMITTED IN ANY FORM OR BY ANY MEANS, ELECTRONIC OR MECHANICAL, WITHOUT PRIOR WRITTEN CONSENT FROM NAOS DESIGN GROUP OF MISSISSIPPI, PLLC.