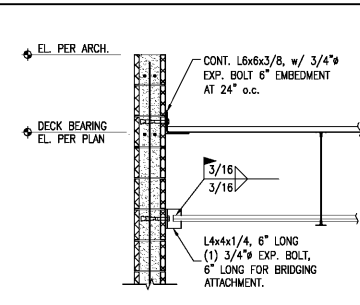
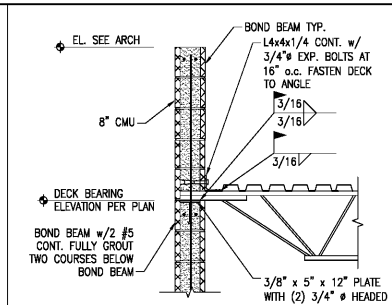


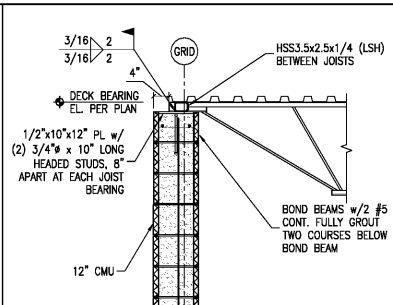
SECTION PARALLEL TO
01 JOIST w/ PARAPET
3/4"-1'-0" S-DET284LT



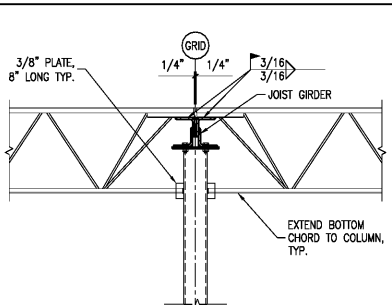
SECTION PARALLEL TO
02 JOIST w/ PARAPET
3/4"-1'-0" S-DET003



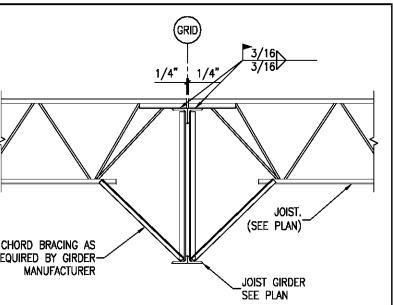
JOIST BEARING
03 DETAIL AT PARAPET
3/4"-1'-0" S-DET246



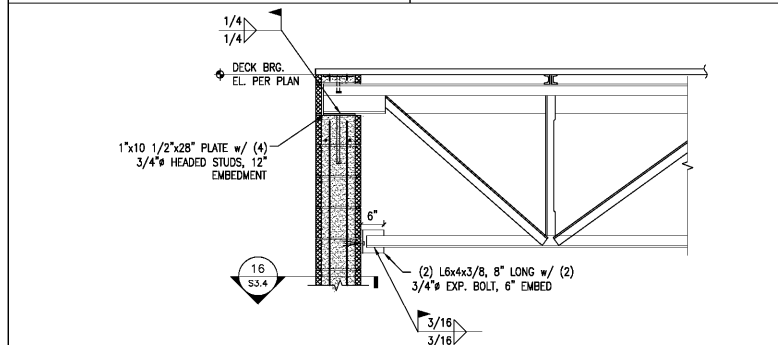
JOIST BEARING
04 DETAIL
3/4"-1'-0" S-DET200ALT



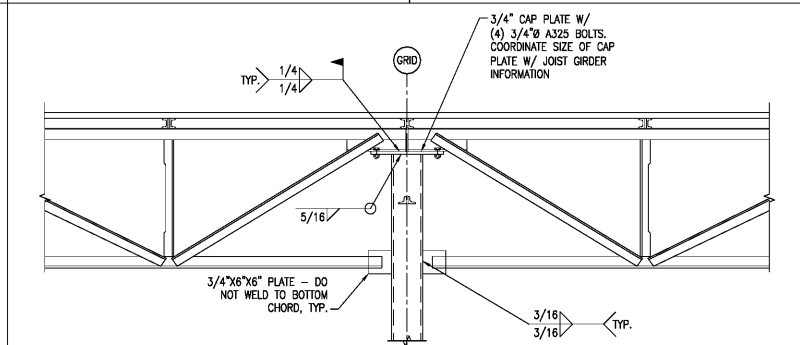
JOIST CONNECTION
05 AT COLUMN
3/4"-1'-0" S-DET209



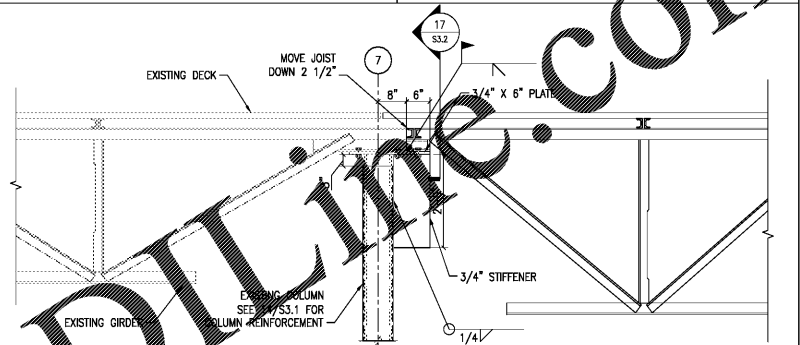
JOIST BEARING
06 AT JOIST GIRDER
3/4"-1'-0" S-DET004



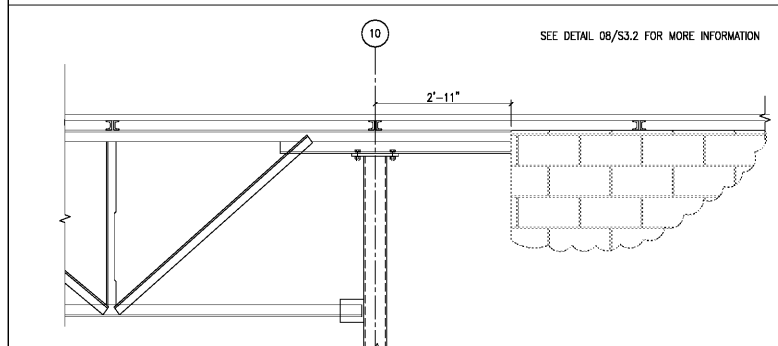
GIRDER BEARING ON 12" CMU
07
3/4"-1'-0" S-DET239



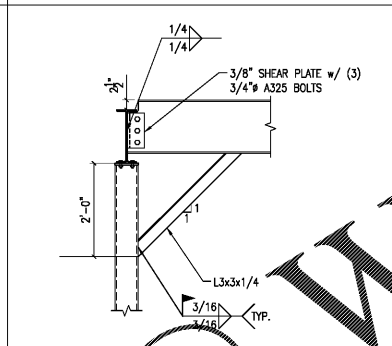
08 DETAIL
3/4"-1'-0" S-DET207A



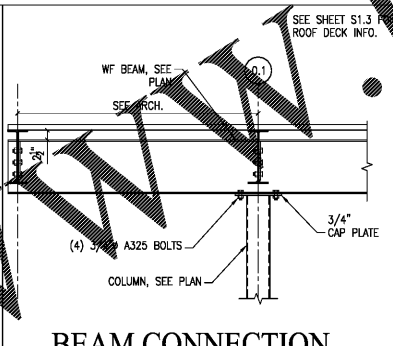
NEW/EXISTING GIRDER
09
3/4"-1'-0" S-DET212A



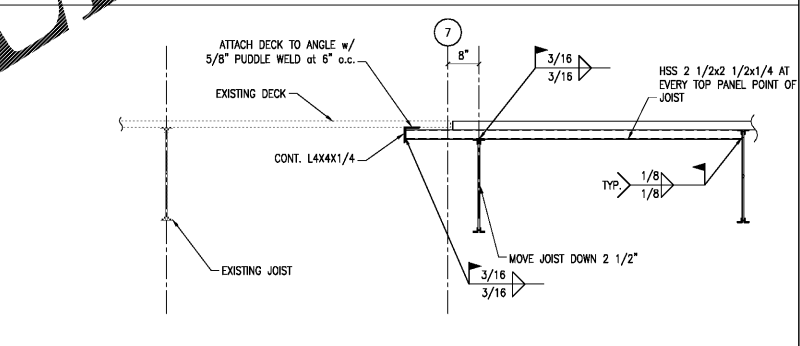
10 DETAIL
3/4"-1'-0" S-DET212B



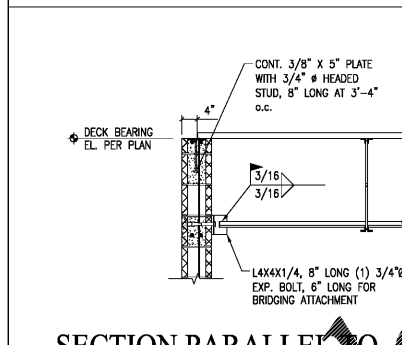
11 SECTION
3/4"-1'-0" S-DET001



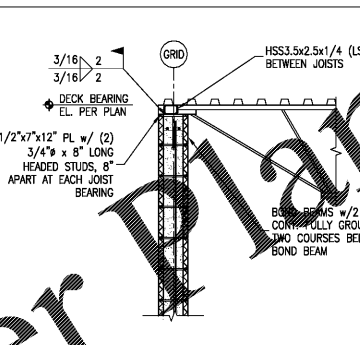
BEAM CONNECTION
12 AT PHARMACY CANOPY
3/4"-1'-0" S-DET217



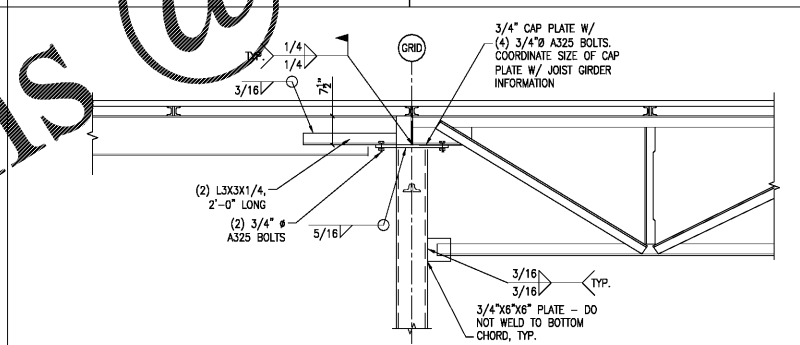
13 SECTION
3/4"-1'-0" S-DET006



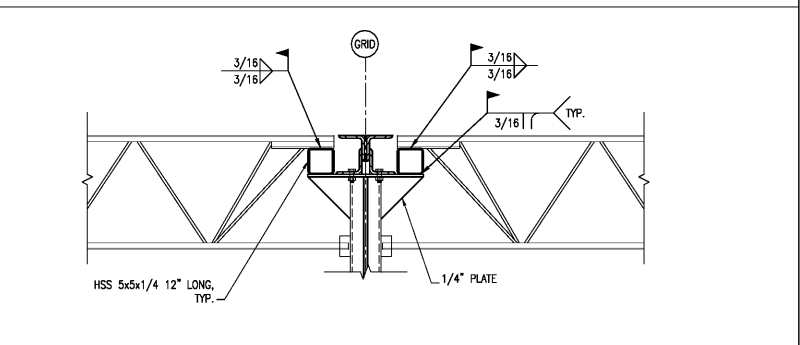
SECTION PARALLEL TO
14 JOIST w/ PARAPET
3/4"-1'-0" S-DET212



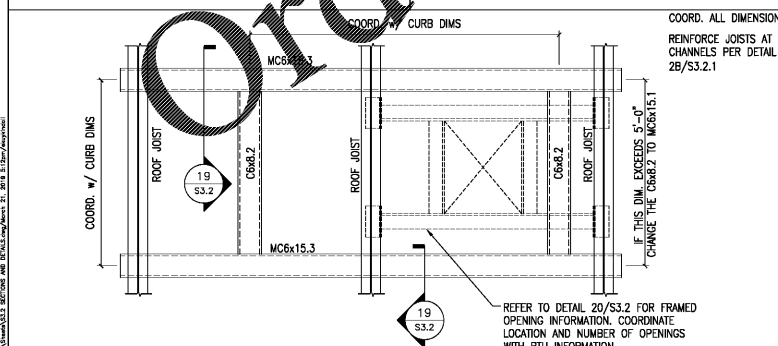
JOIST BEARING
15 DETAIL
3/4"-1'-0" S-DET201



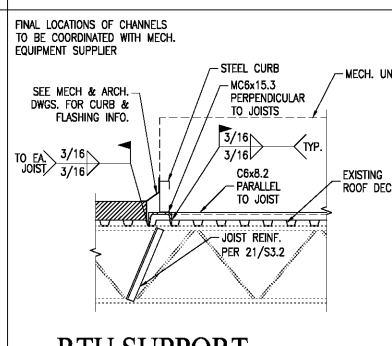
BEAM/JOIST/GIRDER INTERSECTION
16
3/4"-1'-0" S-DET523



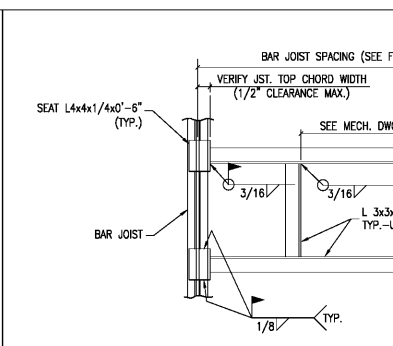
17 DETAIL
1'-1'-0" S-DET542



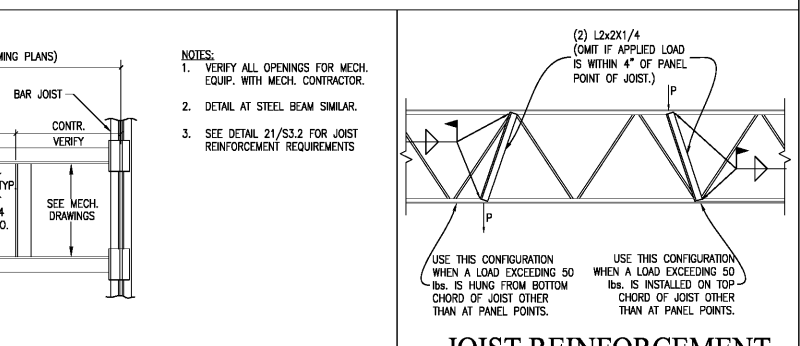
PLAN AT CURB SUPPORT AT EXISTING ROOF
18
3/4"-1'-0" S-DET267



RTU SUPPORT
19 AT EXISTING ROOF
3/4"-1'-0" S-DET244



ROOF OPENING DETAIL
20
3/4"-1'-0" S-DET211



JOIST REINFORCEMENT
21 AT POINT LOADS
3/4"-1'-0" S-DET205

Kroger
KROGER
STORE #473
2013 UNIVERSITY AVENUE
OXFORD, MISSISSIPPI 38655
A DEVELOPMENT OF THE KROGER COMPANY

naos
Naos Design Group Of Mississippi, PLLC.
MARC BREETZ, ARCHITECT
645 Lakeland East Drive Suite 101
Flowood, Mississippi 39232
(p) 303.759.5777
(f) 720.360.4281
ARCHITECT OF RECORD

CDS
COMMERCIAL DESIGN SYSTEMS, INC.
13825 SW GALBREATH DRIVE
SHERWOOD, OREGON 97140
503.855.7000 (p)503.825.8902
INTERIOR DECOR

Pickering Firm, Inc.
Architecture • Engineering
Planning • Surveying
6775 Lenox Center Court, Suite 300
Memphis, TN 38115
901.726.0810

ENGINEER OF RECORD:
STRUCTURAL
MECHANICAL
ELECTRICAL
CIVIL ENGINEER

V-SOFT
INFRASTRUCTURE
11280 CHESTER ROAD
CINCINNATI, OH 45246
T: 513-950-3819
LOW VOLTAGE

telgian
TELGIAN CORPORATION
10230 SOUTH 50TH PLACE
SUITE 100
PHOENIX, AZ 85044
T: 602.773.4426
HTTP://WWW.TELGIAN.COM
FIRE PROTECTION

ISSUE LOG

NO.	REV.	DESCRIPTION	DATE
1		PERMIT SET	12/06/18
2		BID SET	03/21/19

JOB NO. 2019041 SCALE AS SHOWN

SHEET NO. S3.2 SECTIONS AND DETAILS

COPYRIGHT © 2018 NAOS DESIGN GROUP OF MISSISSIPPI, PLLC. ALL RIGHTS RESERVED. THIS DOCUMENT IS THE PROPERTY OF NAOS DESIGN GROUP OF MISSISSIPPI, PLLC. IT IS TO BE USED FOR THE PROJECT AND SITE SPECIFICALLY IDENTIFIED HEREIN. ANY REUSE OF THIS DOCUMENT FOR ANY OTHER PROJECT WITHOUT THE WRITTEN CONSENT OF NAOS DESIGN GROUP OF MISSISSIPPI, PLLC IS PROHIBITED.