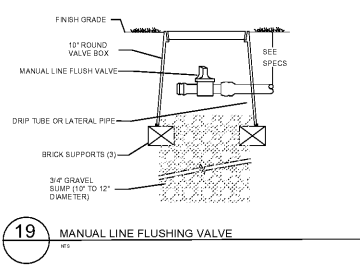
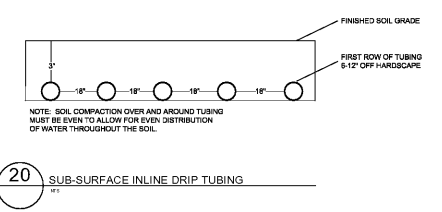


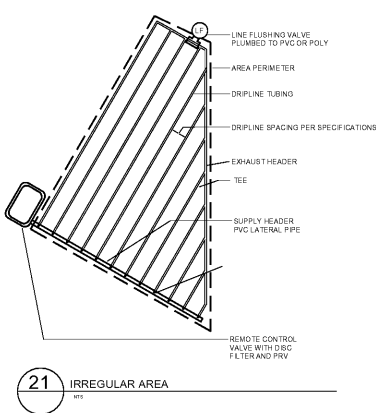
18 DRIP INDICATOR



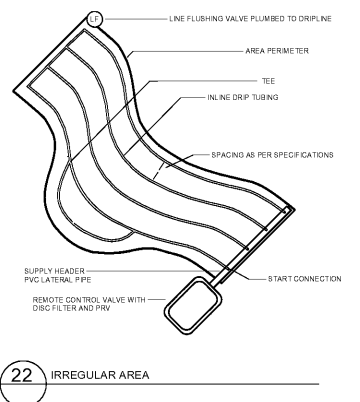
19 MANUAL LINE FLUSHING VALVE



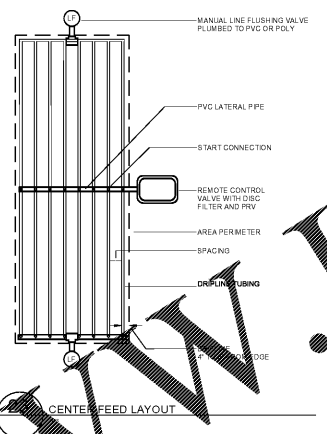
20 SUB-SURFACE IN-LINE DRIP TUBING



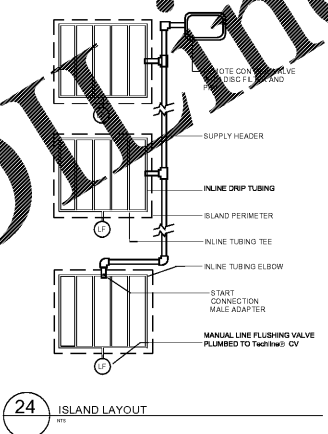
21 IRREGULAR AREA



22 IRREGULAR AREA



23 CENTER FEED LAYOUT



24 ISLAND LAYOUT

Order Plans @ www.LDOnline.com



KROGER
STORE #473

2013 UNIVERSITY AVENUE
OXFORD, MISSISSIPPI 38655

A DEVELOPMENT OF
THE KROGER COMPANY

naos

Naos Design Group Of Mississippi, PLLC.

MARC BREETZ
ARCHITECT

645 Lakeland East Drive
Suite 101
Flowood, Mississippi 39232
(p) 303.759.5777
(f) 720.360.4281

ARCHITECT OF RECORD

CDS
COMMERCIAL DESIGN SYSTEMS, INC.
13825 SW GALEREAH DRIVE
SHERWOOD, OREGON 97140
503.885.7000 (P) 503.825.8000
INTERIOR DECOR

Pickering Firm, Inc.
Architecture - Engineering
Planning - Surveying
6775 Lenox Center Court, Suite 300
Memphis, TN 38115
901.726.0910
ENGINEER OF RECORD:
STRUCTURAL
MECHANICAL
ELECTRICAL
CIVIL ENGINEER

V-SOFT
INFRASTRUCTURE
1830 CHESTER ROAD
CHICAGO, IL 60616
T: 312.676.3889
LOW VOLTAGE

telgian
TELGIAN CORPORATION
10230 SOUTH 50TH PLACE
SUITE 100
PHOENIX, AZ 85044
T: (877) 835-4428
HTTP://WWW.TELGIAN.COM
FIRE PROTECTION

ISSUE LOG

NO.	REV.	DESCRIPTION	DATE
1	-	PERMIT SET	12/05/18
2	-	BID SET	03/21/19

JOB: 2018041 SCALE: NO SCALE

SHEET NO.

IR1.5
IRRIGATION DETAILS

COPYRIGHT © 2019 NAOS DESIGN GROUP OF MISSISSIPPI, PLLC. THESE DRAWINGS OR PARTS THEREOF, MAY NOT BE REPRODUCED, COPIED, REPRODUCED, OR TRANSMITTED IN ANY FORM OR BY ANY MEANS, WITHOUT PRIOR WRITTEN CONSENT FROM NAOS.