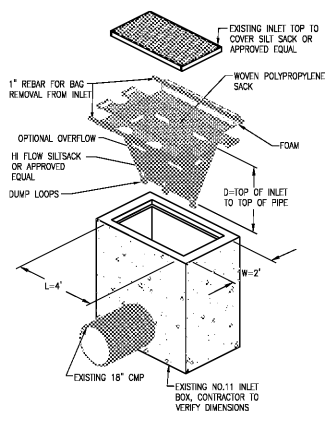
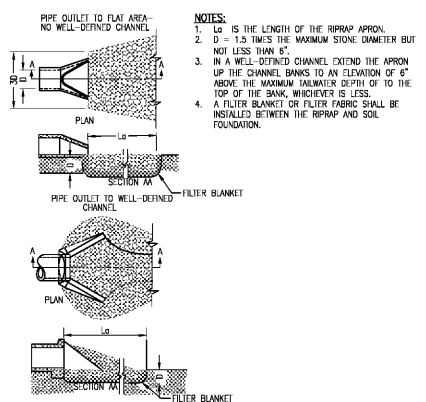


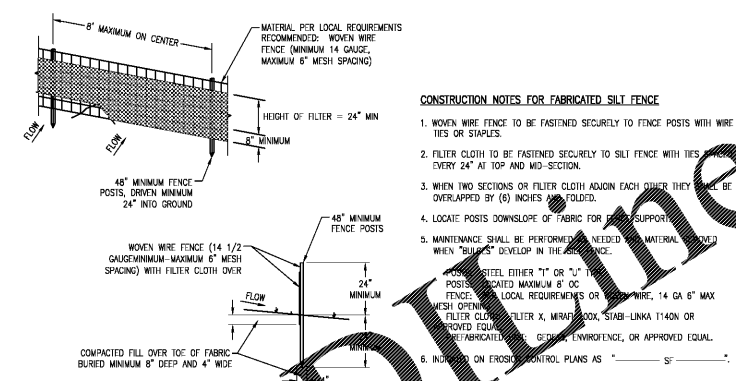
1D CURB INLET PROTECTION-SILT SACK
NOT TO SCALE



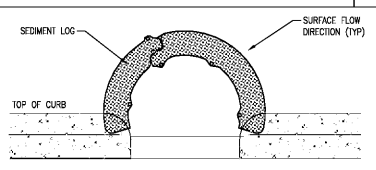
2D INLET PROTECTION-SILT SACK
NOT TO SCALE



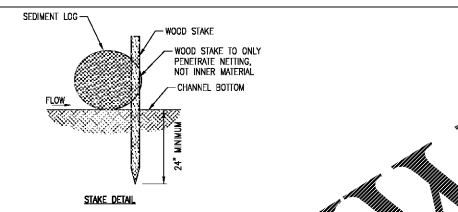
3D RIPRAP OUTLET PROTECTION
NOT TO SCALE



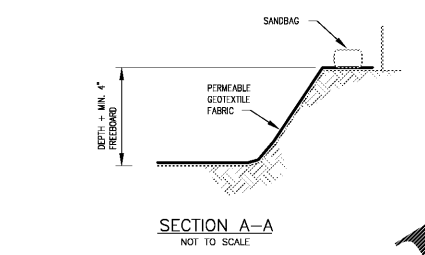
4D SILT FENCE EROSION PROTECTION
NOT TO SCALE



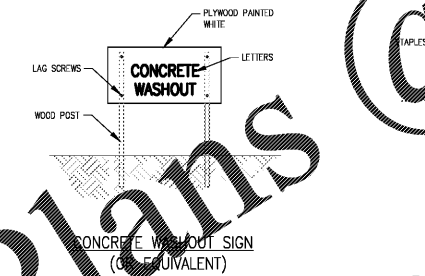
2C SEDIMENT LOG FLUME PROTECTION
N.T.S.



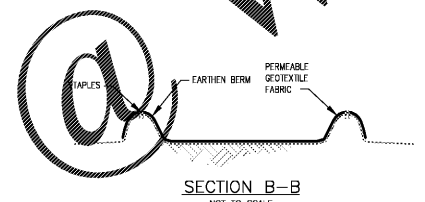
5C STONE FILTER RING
NOT TO SCALE



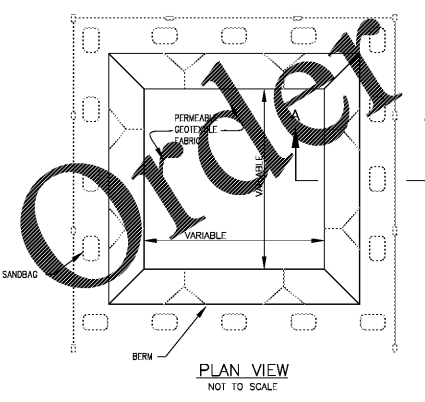
1A CONCRETE WASHOUT
NOT TO SCALE



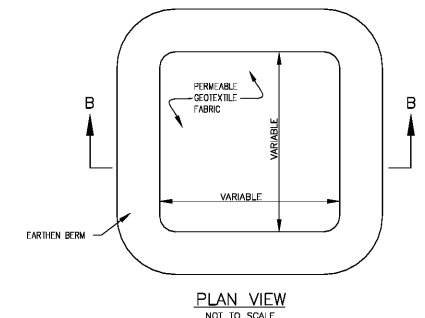
1B CONCRETE WASHOUT SIGN
(OR EQUIVALENT)



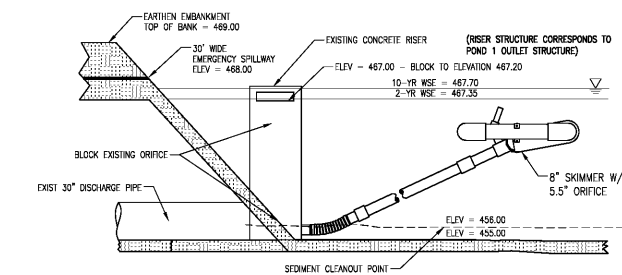
4B CONSTRUCTION EGRESS
NOT TO SCALE



1A CONCRETE WASHOUT
NOT TO SCALE



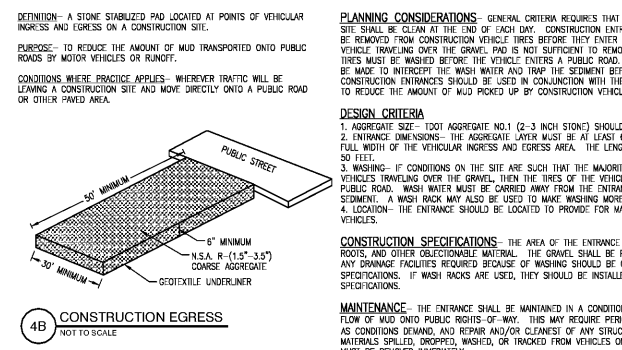
4B CONSTRUCTION EGRESS
NOT TO SCALE



SEDIMENT BASIN DESIGN DATA
 DRAINAGE AREA: 30.99 AC
 STORAGE REQUIRED: 30.99 * 3600 = 111,564 CF
 STORAGE PROVIDED: 111,849 CF
 DRAINING TIME: 2.3 DAYS
 2-YR STORM VOLUME: 219,241 CF
 DRAINING RATE: 111,849 / 2.3 = 55,925 CF/DAY

NOTES
 1. USE 8\"/>

5C SEDIMENT BASIN
NOT TO SCALE



4B CONSTRUCTION EGRESS
NOT TO SCALE

Kroger
 KROGER
 STORE #473
 2013 UNIVERSITY AVENUE
 OXFORD, MISSISSIPPI 38655
 A DEVELOPMENT OF THE KROGER COMPANY

naos
 Naos Design Group Of Mississippi, PLLC.
 MARC BREETZ, ARCHITECT
 645 Lakeland East Drive Suite 101
 Flowood, Mississippi 39232
 (p) 303.759.5777
 (f) 720.360.4281
 ARCHITECT OF RECORD

CDS
 COMMERCIAL DESIGN SYSTEMS, INC.
 13825 SW GALBREATH DRIVE
 SHERWOOD, OREGON 97140
 503.855.7900 (P)503.825.8902
 INTERIOR DESIGNER

Pickering
 Pickering Firm, Inc.
 Architecture - Engineering
 Planning - Surveying
 6775 Lenox Center Court, Suite 300
 Memphis, TN 38115
 901.728.0810
 ENGINEER OF RECORD:
 STRUCTURAL
 MECHANICAL
 ELECTRICAL
 CIVIL ENGINEER

V-SOFT
 INFRASTRUCTURE
 11280 CHESTER ROAD
 CINCINNATI, OH 45246
 T: 513-960-3819
 LOW VOLTAGE

telgian
 TELGIAN CORPORATION
 10290 SOUTH 60TH PLACE
 SUITE 100
 PHOENIX, AZ 85044
 T: (677) 836-4426
 HTTP://WWW.TELGIAN.COM
 FIRE PROTECTION

ISSUE LOG

NO.	REV.	DESCRIPTION	DATE
1	-	PERMIT SET	12/06/18
2	-	BID SET	03/21/19

JOB: 2018041 SCALE: N.T.S.
 SHEET NO. **C5.1.3**
 EROSION CONTROL DETAILS

Order Plans

WWW.DLINE.COM

COPYRIGHT © 2018 NAOS DESIGN GROUP OF MISSISSIPPI, PLLC. THESE DRAWINGS OR PARTS THEREOF ARE NOT TO BE REPRODUCED IN ANY FORM BY ANY METHOD OR ANY MEANS, WITHOUT PRIOR WRITTEN CONSENT FROM NAOS.