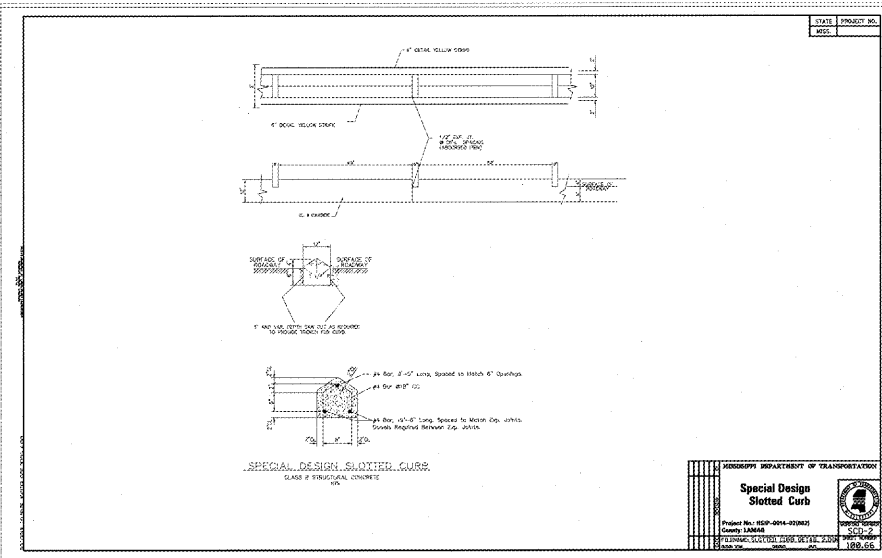
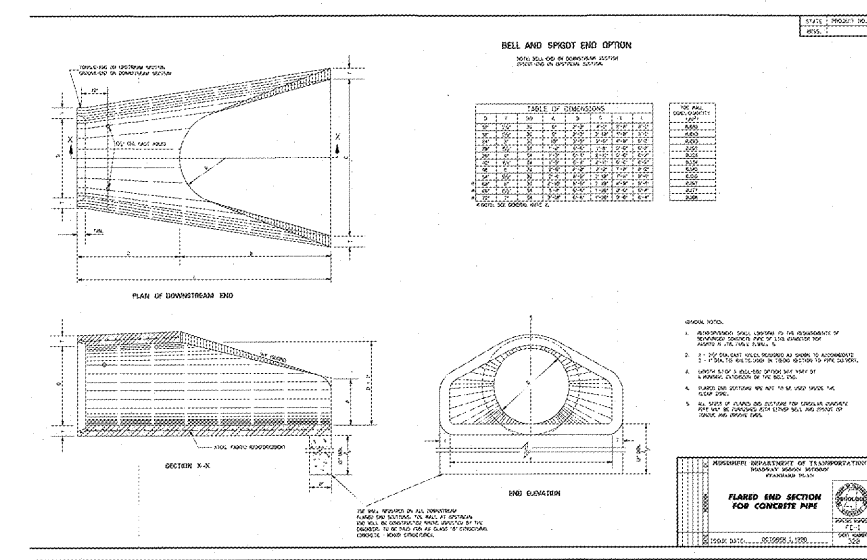


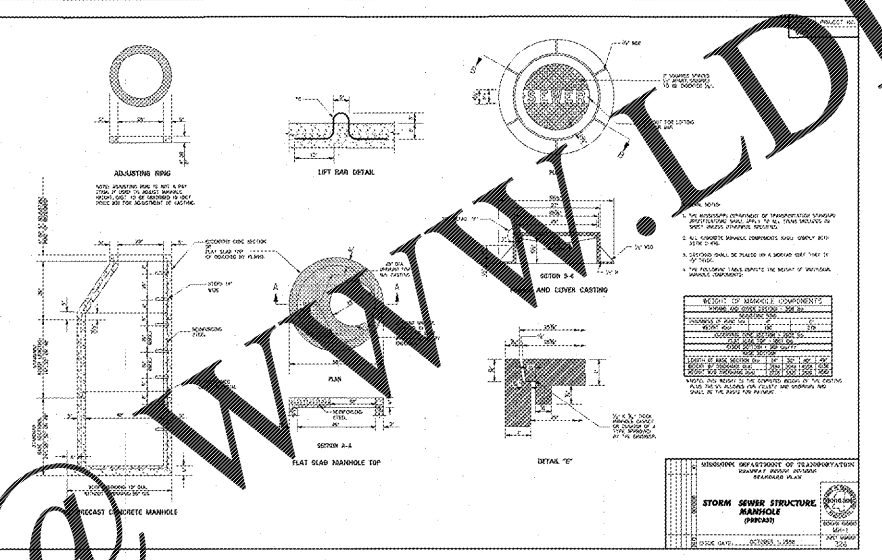
1E STORM SEWER INLET, TYPE SS-1
NOT TO SCALE



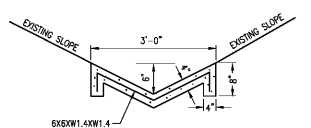
3E SLOTTED CURB
NOT TO SCALE



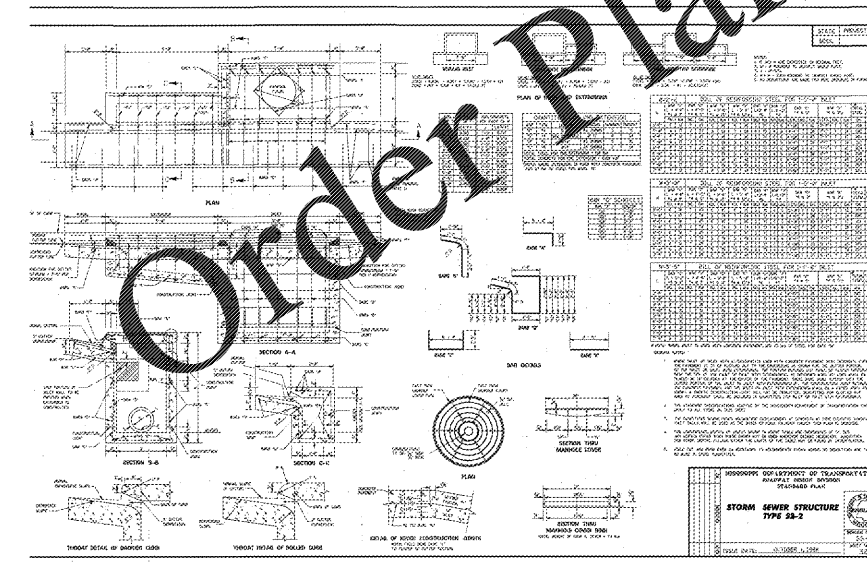
1C FLARED END SECTION FOR CONCRETE PIPE
NOT TO SCALE



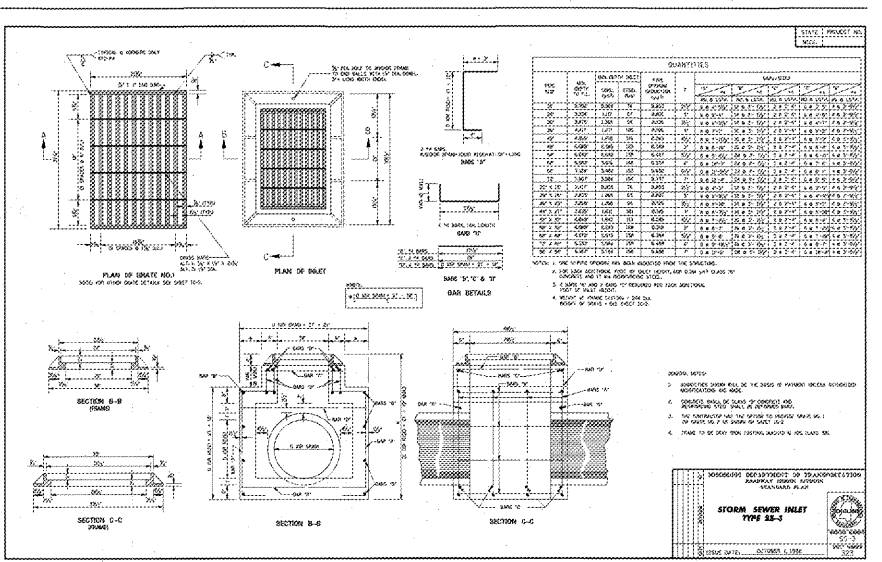
3C STORM SEWER STRUCTURE, MANHOLE
NOT TO SCALE



6C CONCRETE FLUME
NOT TO SCALE

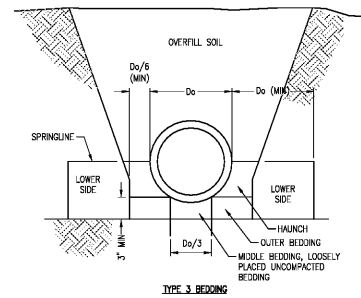


1A STORM SEWER STRUCTURE, TYPE SS-2
NOT TO SCALE



3A STORM SEWER INLET, TYPE SS-3
NOT TO SCALE

- NOTE:
1. BEDDING AND BACKFILL DETAILS ARE PER THE RECOMMENDATIONS OF THE AMERICAN CONCRETE PIPE ASSOCIATION.
 2. HAUNCH, OUTER BEDDING, LOWER SIDE, AND OVERTILL SOIL SHALL BE: CATEGORY I (GRAVELLY SAND) COMPACTED TO 95% STANDARD PROCTOR, CATEGORY II (SANDY SILT) COMPACTED TO 90% STANDARD PROCTOR, OR CATEGORY III (SILTY CLAY) COMPACTED TO 95% STANDARD PROCTOR.
 3. SOIL CATEGORIES I, II, AND III ARE AS DEFINED BY THE AMERICAN CONCRETE PIPE ASSOCIATION.
 4. CONCRETE PIPE SHALL BE FURNISHED WITH NO LIFTING HOLES.
 5. RUBBER GASKET JOINTS REQUIRED.
 6. GRANULAR BACKFILL MATERIALS ARE NOT ALLOWED EXCEPT BELOW PAVEMENTS.



6A CONCRETE PIPE BEDDING BACKFILL
NOT TO SCALE

Order Plans

www.LDLine.com

Kroger
KROGER
STORE #473
2013 UNIVERSITY AVENUE
OXFORD, MISSISSIPPI 38655
A DEVELOPMENT OF THE KROGER COMPANY

naos
Naos Design Group Of Mississippi, PLLC.
MARC BREETZ, ARCHITECT
645 Lakeland East Drive Suite 101
Flowood, Mississippi 39232
(p) 303.759.5777
(f) 720.360.4281
ARCHITECT OF RECORD

CDS
COMMERCIAL DESIGN SYSTEMS, INC.
13825 SW GALEREAH DRIVE
SHERWOOD, OREGON 97140
503.885.7000 (P)503.825.8802
INTERIOR DECOR

Pickering
Pickering Firm, Inc.
Architecture - Engineering
Planning - Surveying
6775 Lenox Center Court, Suite 300
Memphis, TN 38115
901.724.0510
ENGINEER OF RECORD:
STRUCTURAL
MECHANICAL
ELECTRICAL
CIVIL ENGINEER

V-SOFT
INFRASTRUCTURE
11280 CHESTER ROAD
CINCINNATI, OH 45240
T: 513-900-3819
LOW VOLTAGE

telgian
TELGIAN CORPORATION
10200 SOUTH 50TH PLACE
SUITE 100
PHOENIX, AZ 85044
T: (677) 538-4428
HTTP://WWW.TELGIAN.COM
FIRE PROTECTION

ISSUE LOG

NO	REV	DESCRIPTION	DATE
1	-	PERMIT SET	12/06/18
2	-	BID SET	03/21/19

JOB: 2018041 SCALE: N.T.S.

SHEET NO.

C5.1.2

GRADING & DRAINAGE DETAILS

COPYRIGHT © 2018 NAOS DESIGN GROUP OF MISSISSIPPI, PLLC. THESE DRAWINGS OR PARTS THEREOF ARE NOT TO BE REPRODUCED IN ANY FORM, BY ANY METHOD, FOR ANY PURPOSES, WITHOUT PRIOR WRITTEN CONSENT FROM NAOS.