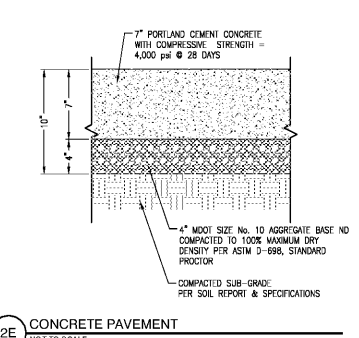
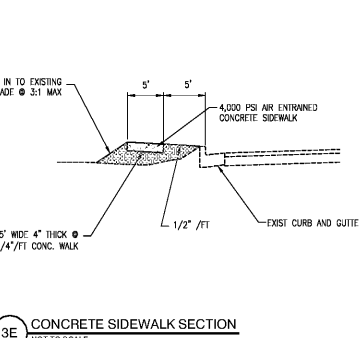


1E ASPHALT OVERLAY
NOT TO SCALE

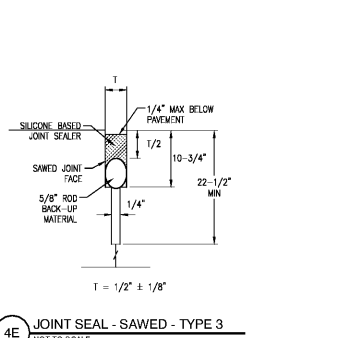
- ASPHALT OVERLAY NOTES:**
- CONTRACTOR IS TO ENSURE THAT EXISTING AREAS OF PAVEMENT SETTLEMENT AND ROOT DAMAGE ARE PROPERLY LEVELED BEFORE ANY NEW SURFACE COURSE IS CONSTRUCTED.
 - AREAS OF SURFACE RAVELING IN THE EXISTING PAVEMENT WILL NEED TO BE REPAIRED SUFFICIENTLY TO ALLOW FOR PROPER COMPACTION OF ANY NEW SURFACE COURSE.
 - EXISTING POT HOLES WILL NEED TO BE PATCHED BEFORE ANY NEW SURFACE COURSE IS CONSTRUCTED. IF BASE OR SUBGRADE FAILURE IS OCCURRING AT POTABLE LOCATIONS, SAWCUT, RECOMPACT SUBGRADE AND REPLACE WITH FULL DEPTH ASPHALT PRIOR TO OVERLAY.
 - CONTRACTOR TO AVOID PAVING OVER THE TOPS OF ANY AND ALL UTILITY STRUCTURES
 - CONTRACTOR TO SEAL ALL CRACKS IN EXISTING ASPHALT BEFORE ANY NEW SURFACE COURSE IS CONSTRUCTED
 - MILL MIN 2" WIDE STRIP OF ASPHALT ALONG EDGE OF PAVEMENT TO ENSURE POSITIVE DRAINAGE AFTER OVERLAY IS COMPLETE.
 - OVERLAY THICKNESS SHALL BE AS NEEDED TO ACHIEVE FINAL GRADES. SEE GRADING PLAN.



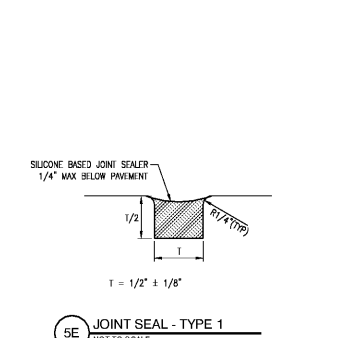
2E CONCRETE PAVEMENT
NOT TO SCALE



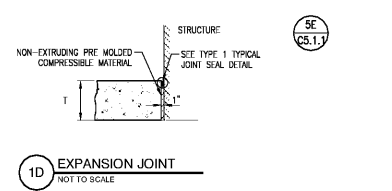
3E CONCRETE SIDEWALK SECTION
NOT TO SCALE



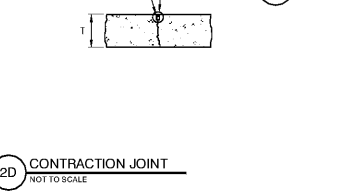
4E JOINT SEAL - SAWED - TYPE 3
NOT TO SCALE



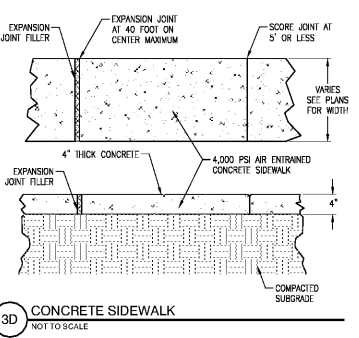
5E JOINT SEAL - TYPE 1
NOT TO SCALE



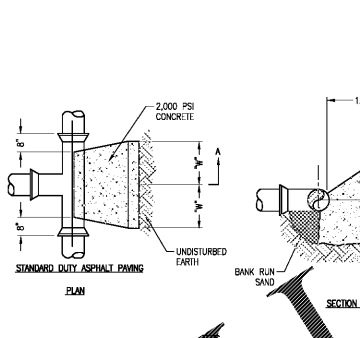
1D EXPANSION JOINT
NOT TO SCALE



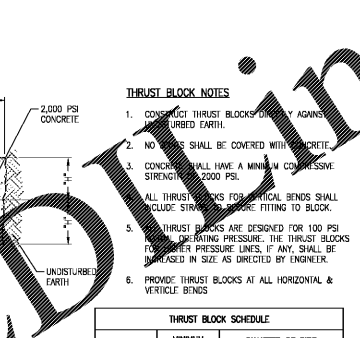
2D CONTRACTION JOINT
NOT TO SCALE



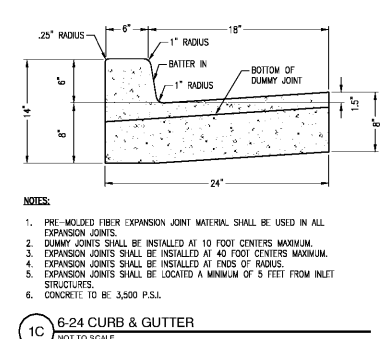
3D CONCRETE SIDEWALK
NOT TO SCALE



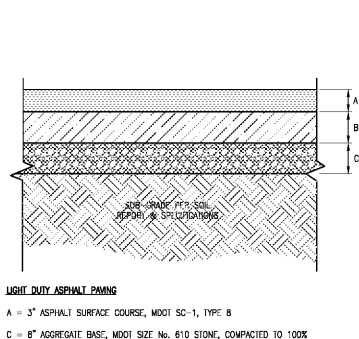
4C THRUST BLOCKING
NOT TO SCALE



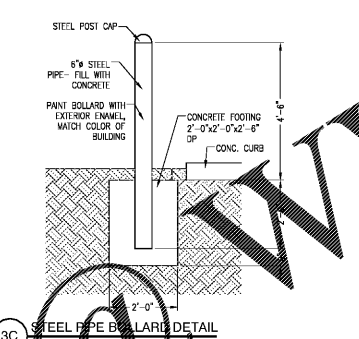
5C STEEL PIPE BALLAST DETAIL
NOT TO SCALE



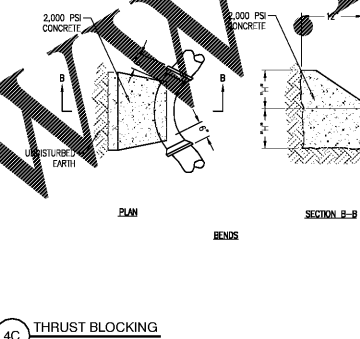
1C 6-24 CURB & GUTTER
NOT TO SCALE



2B ASPHALT PAVING
NOT TO SCALE



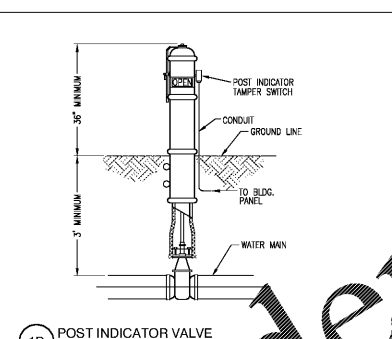
3B GATE VALVE
NOT TO SCALE



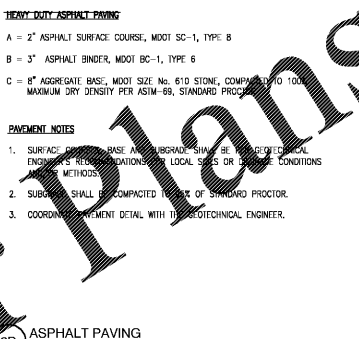
4B ACCESSIBLE CURB RAMP
NOT TO SCALE

THRUST BLOCK SCHEDULE

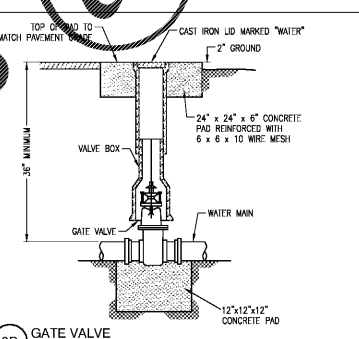
DESCRIPTION OF FITTINGS	MINIMUM DIMENSIONS (IN FEET)	DIAMETER OF PIPE			
		6"	8"	10"	12"
TEES	W	1.25	1.5	1.75	2.0
	H	1.25	2.0	2.25	2.5
90° BENDS	W	2.0	3.0	3.5	4.0
	H	1.5	2.0	2.25	2.5
45° BENDS	W	1.5	2.0	2.5	3.0
	H	1.0	1.25	1.75	2.0
22 1/2° BENDS	W	1.5	1.5	2.0	2.5
	H	1.0	1.0	1.5	1.5
11 1/4° BENDS	W	1.0	1.25	1.5	1.5
	H	1.0	1.0	1.25	1.25
CAPS	W	1.25	1.5	1.75	2.0
	H	1.25	2.0	2.25	2.5



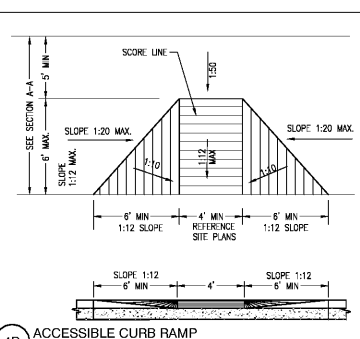
1B POST INDICATOR VALVE
NOT TO SCALE



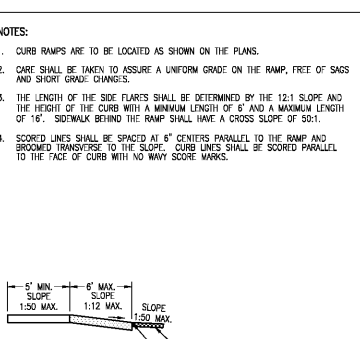
2A THICKENED EDGE
NOT TO SCALE



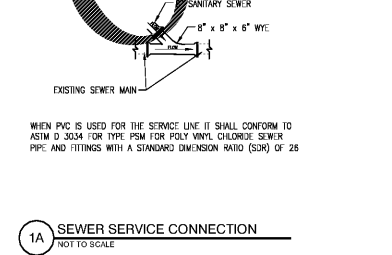
3A UTILITY SEAL DETAIL
NOT TO SCALE



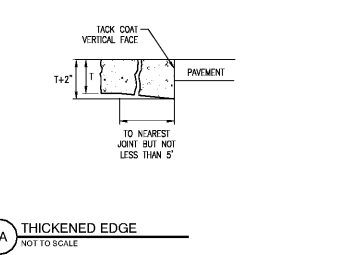
4A ACCESSIBLE CURB RAMP
NOT TO SCALE



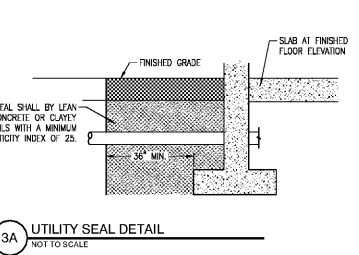
5A STEEL PIPE BALLAST DETAIL
NOT TO SCALE



1A SEWER SERVICE CONNECTION
NOT TO SCALE



2A THICKENED EDGE
NOT TO SCALE



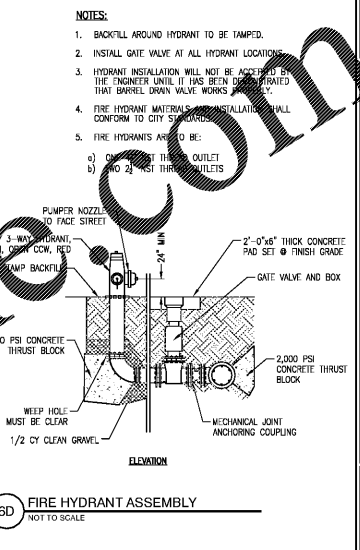
3A UTILITY SEAL DETAIL
NOT TO SCALE



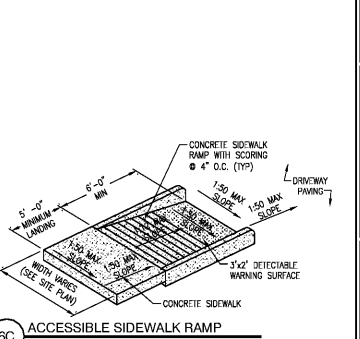
4A ACCESSIBLE CURB RAMP
NOT TO SCALE



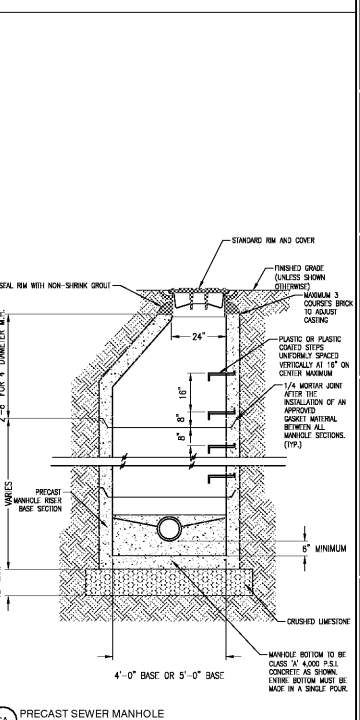
5A STEEL PIPE BALLAST DETAIL
NOT TO SCALE



6D FIRE HYDRANT ASSEMBLY
NOT TO SCALE



6C ACCESSIBLE SIDEWALK RAMP
NOT TO SCALE



6A PRECAST SEWER MANHOLE
NOT TO SCALE

Kroger
KROGER
STORE #473

2013 UNIVERSITY AVENUE
OXFORD, MISSISSIPPI 38655
A DEVELOPMENT OF THE KROGER COMPANY

naos
Naos Design Group Of Mississippi, PLLC.
MARC BREETZ, ARCHITECT
645 Lakeland East Drive
Suite 101
Flowood, Mississippi 39232
(p) 303.758.5777
(f) 720.360.4281
ARCHITECT OF RECORD

CDS
COMMERCIAL DESIGN SYSTEMS, INC.
13825 SW GALBREATH DRIVE
SHERWOOD, OREGON 97140
503.855.7000 (P) 503.825.8002
INTERIOR DECOR

Pickering Firm, Inc.
Architecture - Engineering
Planning - Surveying
8775 Lenox Center Court, Suite 300
Memphis, TN 38115
901.728.0819
ENGINEER OF RECORD:
STRUCTURAL
MECHANICAL
ELECTRICAL
CIVIL ENGINEER

V-SOFT
INFRASTRUCTURE
11280 CHESTER ROAD
CINCINNATI, OH 45246
T: 513-850-3819
LOW VOLTAGE

telgian
TELGIAN CORPORATION
10230 SOUTH BETH PLACE
SUITE 100
PHOENIX, AZ 85044
T: (677) 836-4428
HTTP://WWW.TELGIAN.COM
FIRE PROTECTION

ISSUE LOG

NO.	REV.	DESCRIPTION	DATE
1	-	PERMIT SET	12/06/18
2	-	BID SET	03/21/19

JOB: 2018041 SCALE: N.T.S.
SHEET NO. **C5.1.1**
SITE SPECIFIC DETAILS