

Order Plans @ www.LDILine.com



THESE DRAWINGS AND DESIGNS ARE THE PROPERTY OF LDII, INC. AND SHALL NOT BE REPRODUCED OR TRANSMITTED IN ANY FORM OR BY ANY MEANS, ELECTRONIC OR MECHANICAL, INCLUDING PHOTOCOPYING, RECORDING, OR BY ANY INFORMATION STORAGE AND RETRIEVAL SYSTEM, WITHOUT THE WRITTEN PERMISSION OF LDII, INC. THESE DRAWINGS AND DESIGNS ARE NOT TO BE USED FOR ANY OTHER PROJECT OR DATE AND ARE NOT SUITABLE FOR USE IN ANY OTHER JURISDICTION. ALL DIMENSIONS MUST BE VERIFIED BY THE CONTRACTOR AND DISCREPANCIES BEFORE PROCEEDING WITH CONSTRUCTION. DO NOT SCALE DRAWINGS.

Life Storage #354

2020 South College St
Auburn, AL 36832



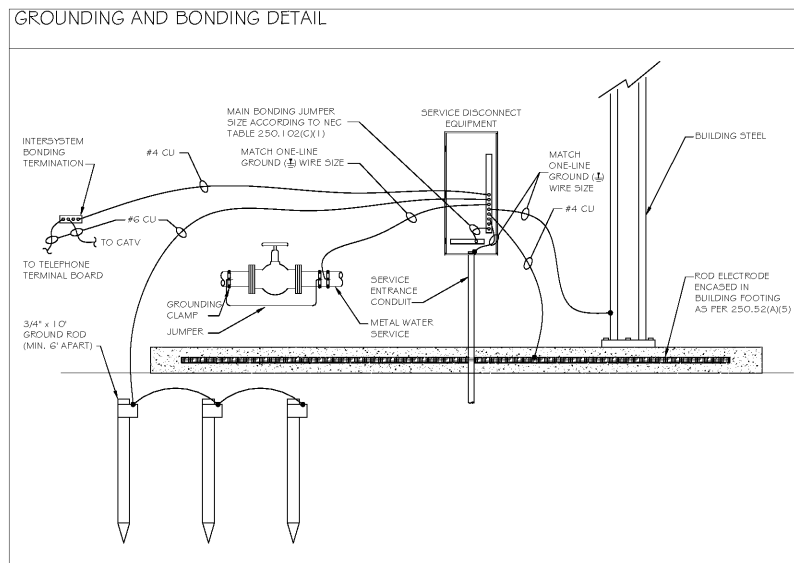
ISSUE FOR CONSTRUCTION REVISIONS:

PROJECT NUMBER
201839
DATE
3-15-2019

SHEET NUMBER

E0.3

GROUNDING AND BONDING DETAIL



ONE-LINE DIAGRAM

