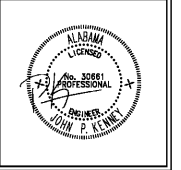
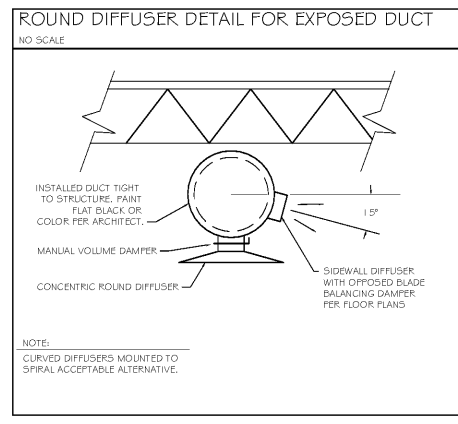
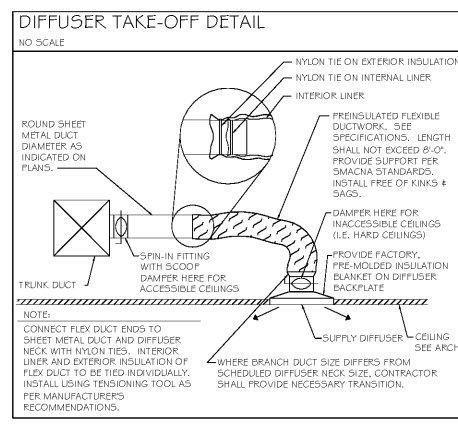
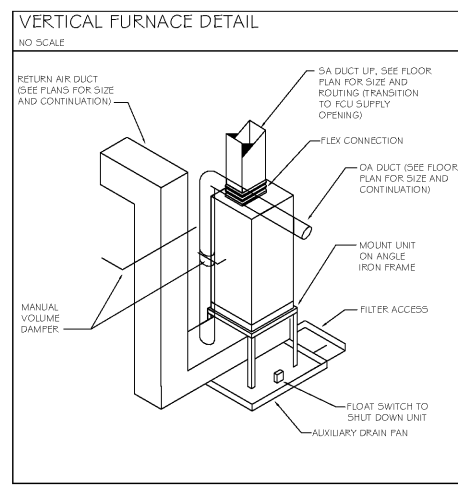
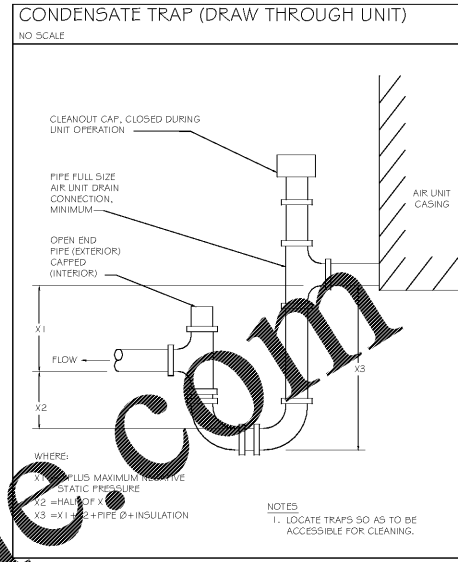
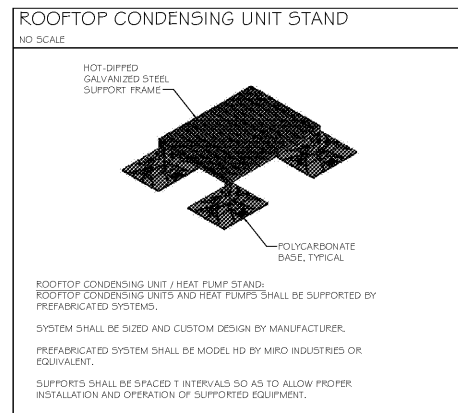
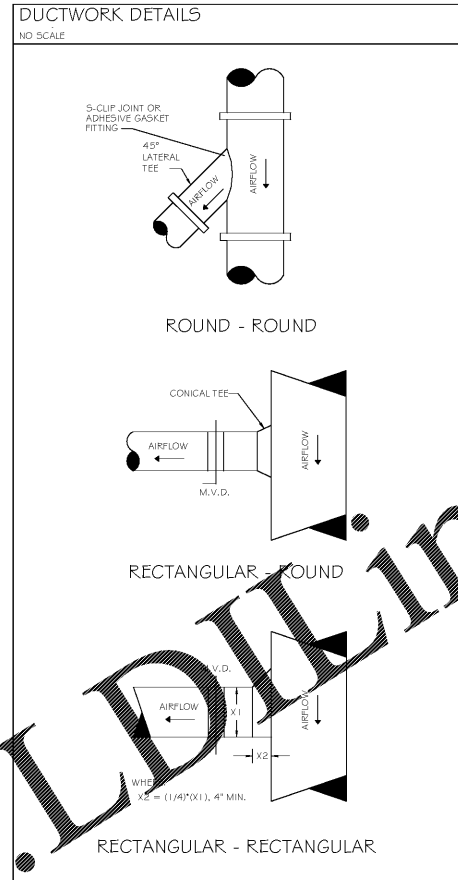
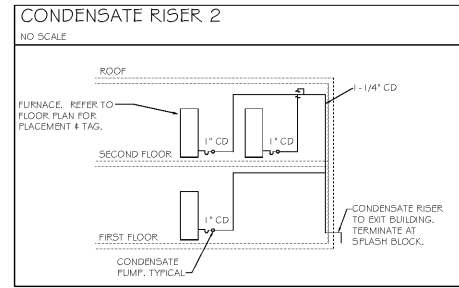
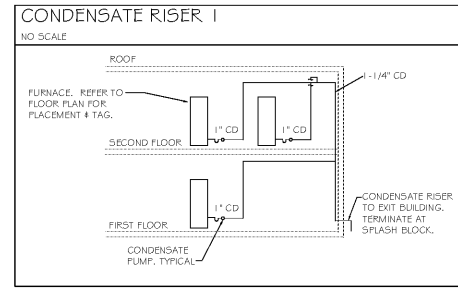


Order Plans @ [www.LDilLine.com](http://www.LDilLine.com)



THESE DRAWINGS AND DESIGNS ARE THE PROPERTY OF LDILLINE ARCHITECTURE, INC. AND SHALL NOT BE REPRODUCED OR TRANSMITTED IN ANY FORM OR BY ANY MEANS, ELECTRONIC OR MECHANICAL, WITHOUT THE WRITTEN PERMISSION OF LDILLINE ARCHITECTURE, INC. THESE DRAWINGS ARE NOT TO BE USED FOR CONSTRUCTION OR FOR ANY OTHER PURPOSE WITHOUT THE WRITTEN PERMISSION OF LDILLINE ARCHITECTURE, INC. ALL DIMENSIONS MUST BE VERIFIED BY THE CONTRACTOR AND DISCREPANCIES BEFORE PROCEEDING WITH CONSTRUCTION. THESE DRAWINGS DO NOT SCALE.

Life Storage #354

2020 South College St  
 Auburn, AL 36832



ISSUE FOR CONSTRUCTION REVISIONS:


PROJECT NUMBER: 201839  
 DATE: 3-15-2019

SHEET NUMBER: M0.2