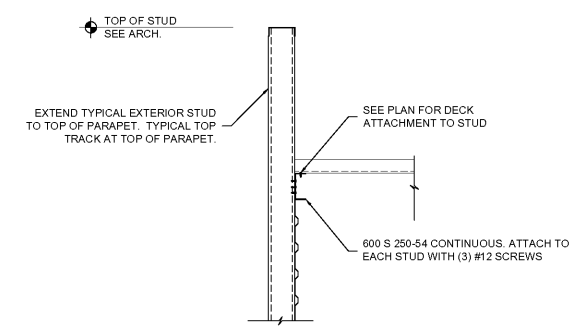
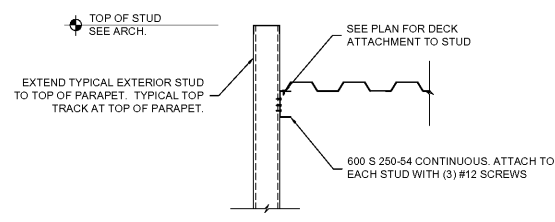


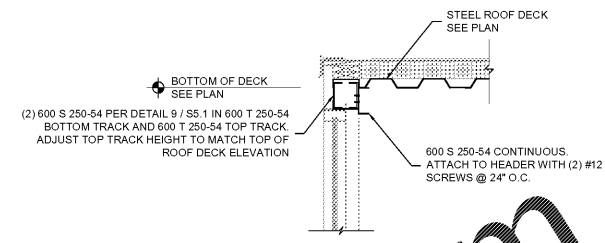
SECTION THRU EXTERIOR WALL 1  
SCALE: 1/2" = 1'-0" S4.2



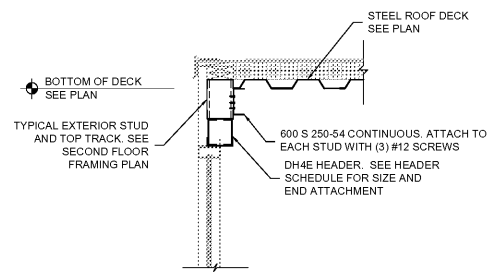
SECTION THRU EXTERIOR WALL 2  
SCALE: 1/2" = 1'-0" S4.2



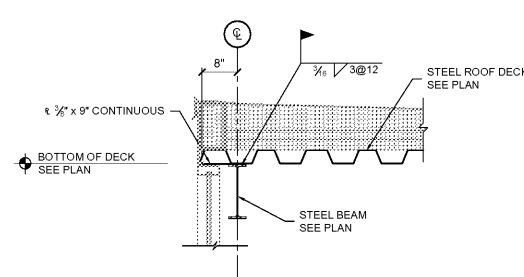
SECTION THRU EXTERIOR WALL 3  
SCALE: 1/2" = 1'-0" S4.2



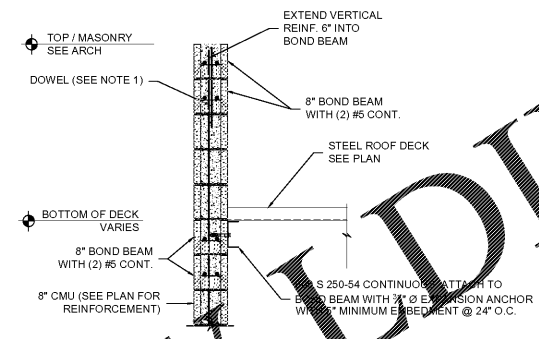
SECTION THRU EXTERIOR WALL 4  
SCALE: 1/2" = 1'-0" S4.2



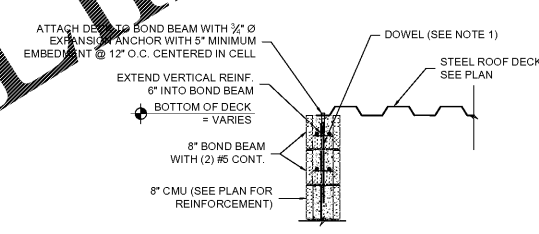
SECTION THRU EXTERIOR WALL 5  
SCALE: 1/2" = 1'-0" S4.2



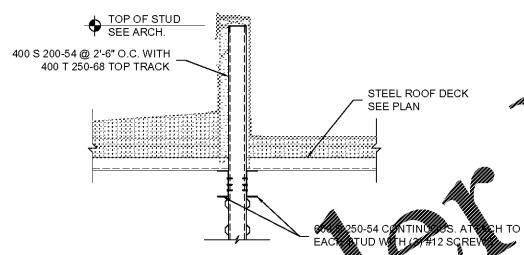
SECTION THRU EXTERIOR WALL 6  
SCALE: 1/2" = 1'-0" S4.2



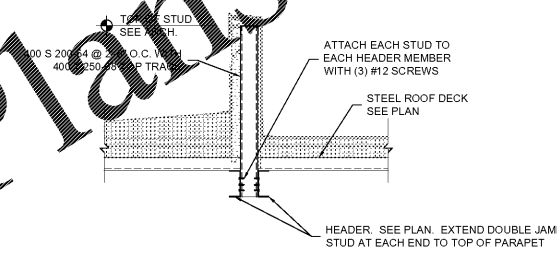
SECTION THRU EXTERIOR 8\" CMU WALL AT PARAPET 7  
SCALE: 1/2" = 1'-0" S4.2



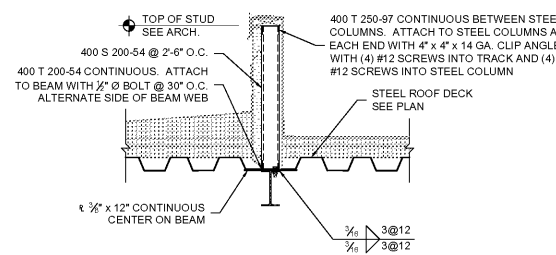
SECTION THRU EXTERIOR 8\" CMU WALL AT PARAPET 8  
SCALE: 1/2" = 1'-0" S4.2



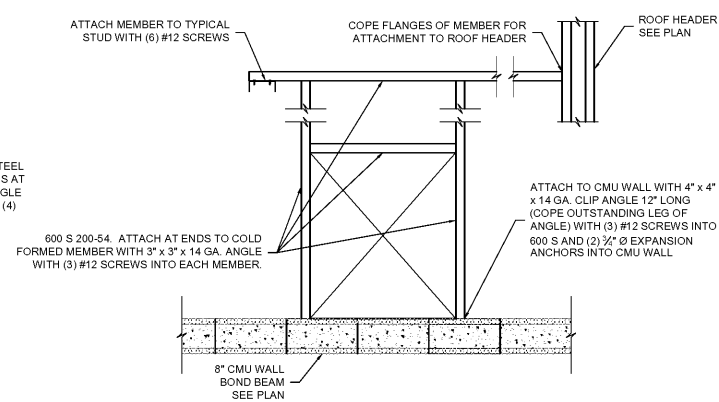
SECTION THRU INTERIOR PARAPET 9  
SCALE: 1/2" = 1'-0" S4.2



SECTION THRU INTERIOR PARAPET 10  
SCALE: 1/2" = 1'-0" S4.2

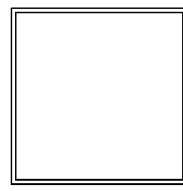


SECTION THRU INTERIOR PARAPET 11  
SCALE: 1/2" = 1'-0" S4.2



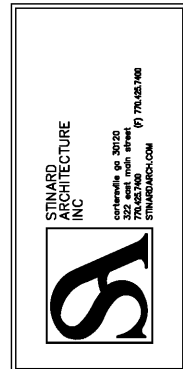
PLAN DETAIL OF ROOF HATCH FRAMING 12  
SCALE: 1/2" = 1'-0" S4.2

Order Plans @ WWW.LDILine.com



THESE DRAWINGS AND DESIGNS ARE THE PROPERTY OF STINARD ARCHITECTURE, INC. AND SHALL NOT BE REPRODUCED OR TRANSMITTED IN ANY FORM OR BY ANY MEANS, ELECTRONIC OR MECHANICAL, INCLUDING PHOTOCOPYING, RECORDING, OR BY ANY INFORMATION STORAGE AND RETRIEVAL SYSTEM, WITHOUT THE WRITTEN PERMISSION OF STINARD ARCHITECTURE, INC. THESE DRAWINGS ARE PREPARED FOR USE ON THE SPECIFIC PROJECT AND ARE NOT SUITABLE FOR USE ON ANY OTHER PROJECT. ALL DIMENSIONS MUST BE VERIFIED BY THE CONTRACTOR AND DISCREPANCIES BEFORE PROCEEDING WITH CONSTRUCTION. UNLESS OTHERWISE NOTED, DO NOT SCALE DRAWINGS.

Life Storage #354  
2020 South College St  
Auburn, AL 36832



ISSUE FOR CONSTRUCTION REVISIONS


PROJECT NUMBER 201839  
DATE 03-15-2019

SHEET NUMBER S4.2

bennett&pless  
Experience Structural Expertise  
Atlanta, Boca Raton, Charlotte, Chattanooga, Orlando  
1964 - 2019 Celebrating 55 Years of Structural Excellence  
47 Perimeter Center East, Suite 500  
Atlanta, Georgia 30346  
Tel. 678 990 8700 Fax. 678 990 8701  
Copyright 2019 - Bennett & Pless, Inc.  
All Rights Reserved  
B & P Job Number 18168