

THESE DRAWINGS AND DESIGNS ARE THE PROPERTY OF BENNETT & PLESS ARCHITECTURE, INC. AND SHALL NOT BE REPRODUCED OR TRANSMITTED IN ANY FORM OR BY ANY MEANS, ELECTRONIC OR MECHANICAL, INCLUDING PHOTOCOPYING, RECORDING, OR BY ANY INFORMATION STORAGE AND RETRIEVAL SYSTEM, WITHOUT THE WRITTEN PERMISSION OF BENNETT & PLESS ARCHITECTURE, INC. THESE DRAWINGS ARE PREPARED FOR USE ON THIS SPECIFIC PROJECT AND ARE NOT SUITABLE FOR USE ON ANY OTHER PROJECT. ALL DIMENSIONS MUST BE VERIFIED BY THE CONTRACTOR AND DISCREPANCIES BEFORE PROCEEDING WITH CONSTRUCTION. UNLESS OTHERWISE INDICATED, DO NOT SCALE DRAWINGS.

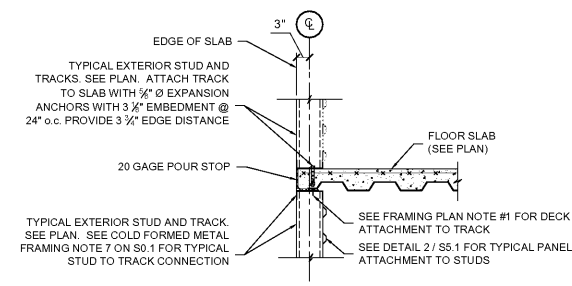
Life Storage #354  
2020 South College St  
Auburn, AL 36832



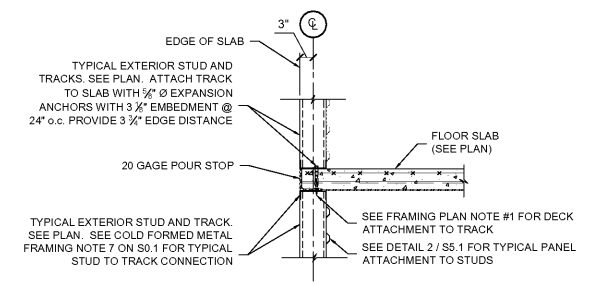
ISSUE FOR CONSTRUCTION REVISIONS


PROJECT NUMBER  
201839  
DATE  
03-15-2019

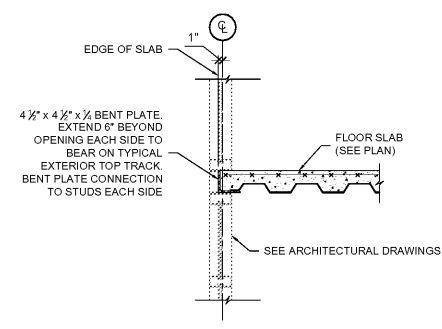
SHEET NUMBER  
S4.1



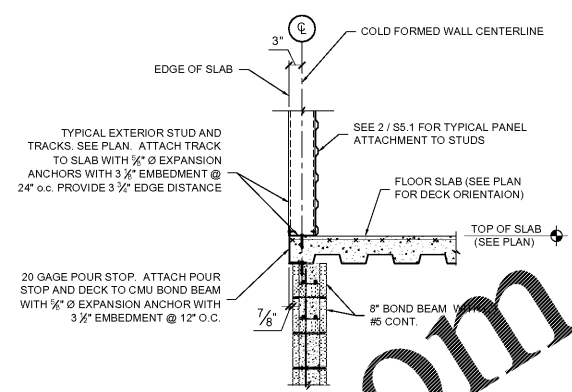
SECTION THRU EXTERIOR WALL 1  
SCALE: 1/2" = 1'-0" S4.1



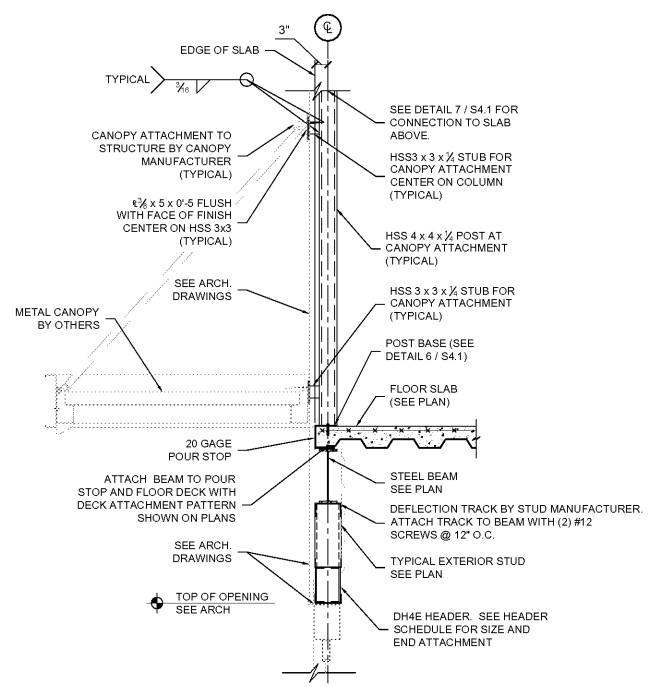
SECTION THRU EXTERIOR WALL 2  
SCALE: 1/2" = 1'-0" S4.1



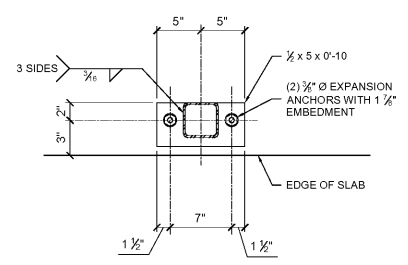
SECTION THRU EXTERIOR WALL 3  
SCALE: 1/2" = 1'-0" S4.1



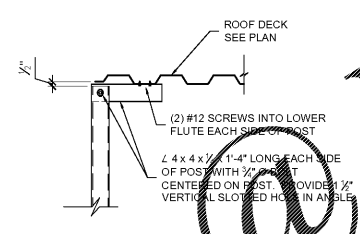
SECTION THRU EXTERIOR WALL 4  
SCALE: 1/2" = 1'-0" S4.1



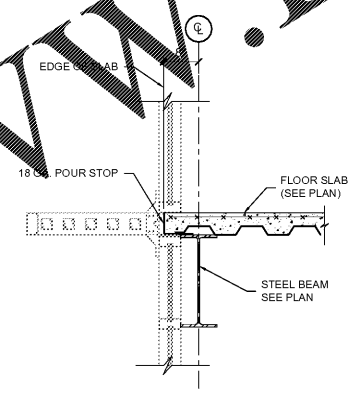
SECTION THRU EXTERIOR WALL 5  
SCALE: 1/2" = 1'-0" S4.1



DETAIL OF BOTTOM OF POST  
SCALE: 1/2" = 1'-0" S4.1



SECTION THRU TOP OF POST  
SCALE: 1/2" = 1'-0" S4.1



SECTION THRU EXTERIOR WALL 6  
SCALE: 1/2" = 1'-0" S4.1

Order Plans @

WWW.LDILine.com

bennett&pless  
Experience Structural Expertise  
Atlanta, Boca Raton, Charlotte, Chattanooga, Orlando  
1964 - 2019 Celebrating 55 Years  
of Structural Excellence  
47 Perimeter Center East, Suite 500  
Atlanta, Georgia 30346  
Tel. 678.990.8700 Fax. 678.990.8701  
Copyright 2019 - Bennett & Pless, Inc.  
All Rights Reserved  
B & P Job Number 18168