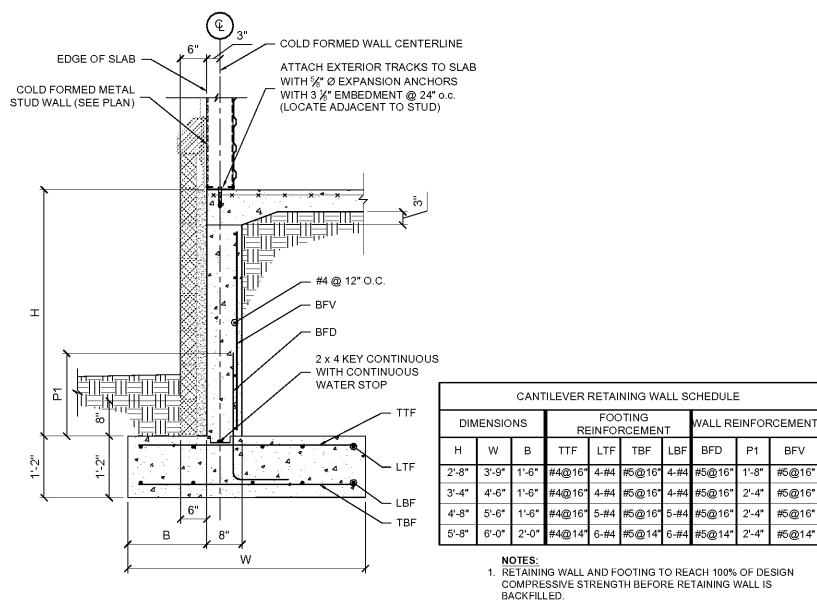


SECTION 1 THRU EXTERIOR WALL FOOTING  
SCALE: 1/4" = 1'-0"  
S2.2

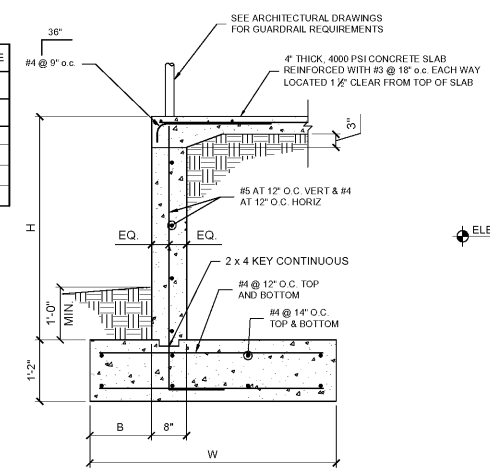


SECTION 2 THRU RETAINING WALL FOOTING  
SCALE: 1/4" = 1'-0"  
S2.2

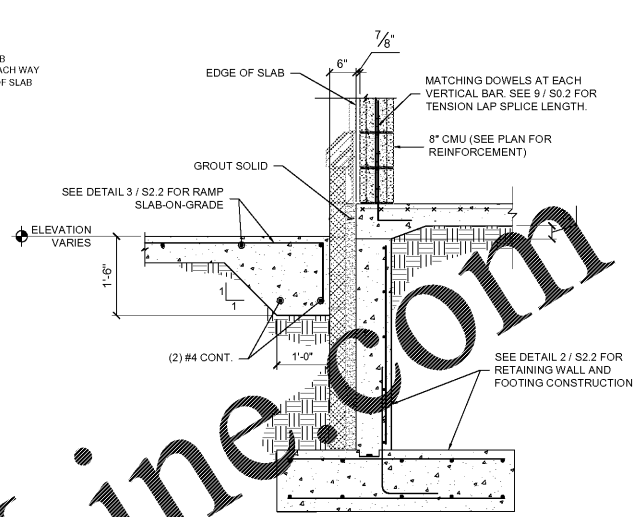
RAMP WALL SCHEDULE		
DIMENSIONS		
H	W	B
2'-3"	3'-0"	1'-0"
3'-3"	4'-0"	1'-0"
4'-3"	4'-9"	1'-0"
5'-3"	6'-3"	2'-0"

CANTILEVER RETAINING WALL SCHEDULE									
DIMENSIONS			FOOTING REINFORCEMENT			WALL REINFORCEMENT			
H	W	B	TTF	LTf	TBF	LBF	BFD	P1	BFV
2'-8"	3'-9"	1'-6"	#4@16"	4-#4	#5@16"	4-#4	#5@16"	1'-8"	#5@16"
3'-4"	4'-6"	1'-6"	#4@16"	4-#4	#5@16"	4-#4	#5@16"	2'-4"	#5@16"
4'-8"	5'-6"	1'-6"	#4@16"	5-#4	#5@16"	5-#4	#5@16"	2'-4"	#5@16"
5'-8"	6'-0"	2'-0"	#4@14"	6-#4	#5@14"	6-#4	#5@14"	2'-4"	#5@14"

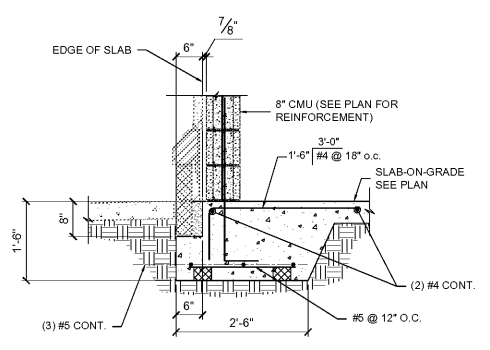
NOTES:  
1. RETAINING WALL AND FOOTING TO REACH 100% OF DESIGN COMPRESSIVE STRENGTH BEFORE RETAINING WALL IS BACKFILLED.



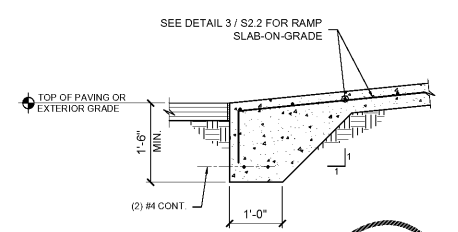
SECTION 3 THRU RAMP  
SCALE: NONE  
S2.2



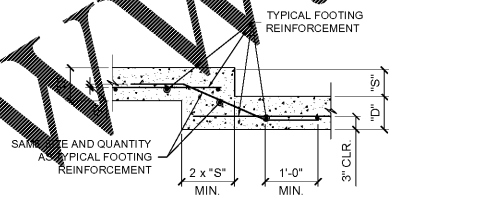
SECTION 4 THRU RETAINING WALL FOOTING  
SCALE: 1/4" = 1'-0"  
S2.2



SECTION 5 THRU EXTERIOR WALL FOOTING  
SCALE: 1/4" = 1'-0"  
S2.2



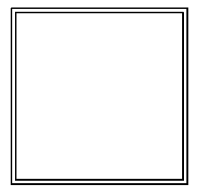
SECTION 6 THRU BOTTOM OF RAMP  
SCALE: 1/4" = 1'-0"  
S2.2



DETAIL 7 OF TYPICAL STEPPED FOOTING  
SCALE: NONE  
S2.2

Order Plans @

WWW.LDILine.com



THESE DRAWINGS AND DESIGNS ARE THE PROPERTY OF STINARD ARCHITECTURE, INC. AND SHALL NOT BE REPRODUCED OR TRANSMITTED IN ANY FORM OR BY ANY MEANS, ELECTRONIC OR MECHANICAL, INCLUDING PHOTOCOPYING, RECORDING, OR BY ANY INFORMATION STORAGE AND RETRIEVAL SYSTEM, WITHOUT THE WRITTEN PERMISSION OF STINARD ARCHITECTURE, INC. THESE DRAWINGS ARE NOT TO BE USED FOR CONSTRUCTION OF ANY PROJECT WITHOUT THE WRITTEN PERMISSION OF STINARD ARCHITECTURE, INC. ALL DIMENSIONS MUST BE CHECKED BY THE CONTRACTOR AND DISCREPANCIES BEFORE PROCEEDING WITH CONSTRUCTION. DO NOT SCALE DRAWINGS.

Life Storage #354  
2020 South College St  
Auburn, AL 36832



ISSUE FOR CONSTRUCTION REVISIONS

PROJECT NUMBER  
201839  
DATE  
03-15-2019

SHEET NUMBER  
**S2.2**

bennett@pless  
Experience Structural Expertise  
Atlanta, Boca Raton, Charlotte, Chattanooga, Orlando  
1964 - 2019 Celebrating 55 Years of Structural Excellence  
47 Perimeter Center East, Suite 500  
Atlanta, Georgia 30346  
Tel. 678.990.8700 Fax. 678.990.8701  
Copyright 2019 - Bennett & Pless, Inc.  
All Rights Reserved  
B & P Job Number 18168