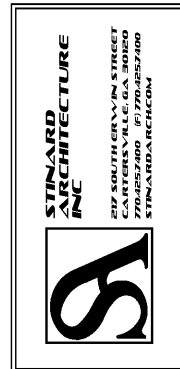


THESE DRAWINGS AND DESIGNS ARE THE PROPERTY OF STANARD ARCHITECTURE, INC. AND SHALL NOT BE REPRODUCED, COPIED, OR TRANSMITTED IN ANY FORM OR BY ANY MEANS, ELECTRONIC OR MECHANICAL, INCLUDING PHOTOCOPYING, RECORDING, OR BY ANY INFORMATION STORAGE AND RETRIEVAL SYSTEM, WITHOUT THE WRITTEN PERMISSION OF STANARD ARCHITECTURE, INC. ANY REUSE OF THESE DRAWINGS WITHOUT THE WRITTEN PERMISSION OF STANARD ARCHITECTURE, INC. IS STRICTLY PROHIBITED. ALL DIMENSIONS MUST BE VERIFIED BY THE CONTRACTOR AND DISCREPANCIES BEFORE PROCEEDING WITH CONSTRUCTION. UNLESS OTHERWISE SPECIFIED, ALL DIMENSIONS ARE IN INCHES AND SHALL BE TO FACE UNLESS NOTED OTHERWISE.

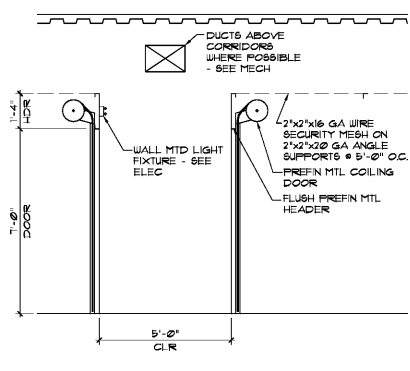
Life Storage #354
 2020 South College St
 Auburn, AL 36832



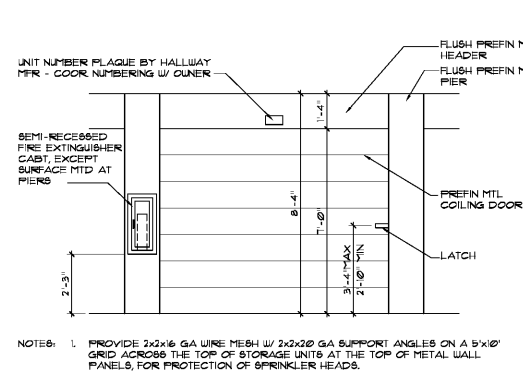
ISSUE: NOT FOR CONSTRUCTION REVISIONS:

PROJECT NUMBER: 201839
 DATE: 3-15-19

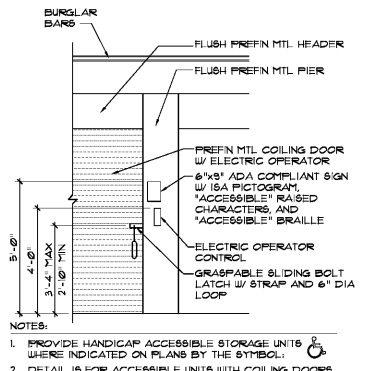
SHEET NUMBER: A5.3



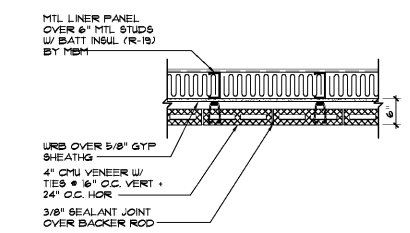
1 TYPICAL CORRIDOR SECTION
 SCALE: 3/4" = 1'-0"



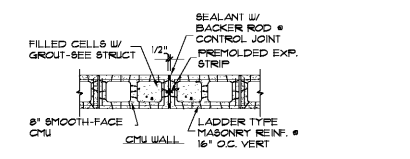
2 TYPICAL INTERIOR STORAGE UNIT
 SCALE: 3/4" = 1'-0"



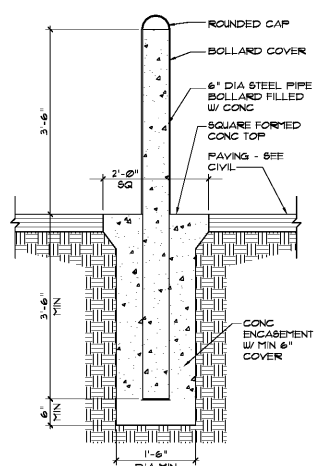
3 HANDICAP ACCESSIBLE UNIT
 SCALE: 3/4" = 1'-0"



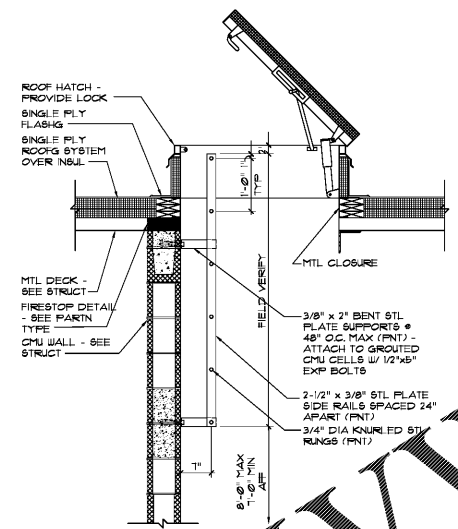
4 CMU VENEER CONTROL JOINT
 SCALE: 3/4" = 1'-0"



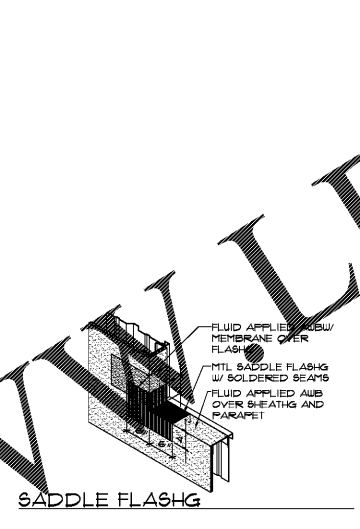
5 CONTROL JOINT DETAIL
 SCALE: 3/4" = 1'-0"
 PROVIDE EXPANSION AND CONTROL JOINTS IN LOCATIONS PER IBC (J.N.O.)



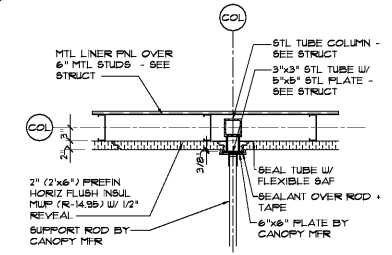
6 BOLLARD DETAIL
 SCALE: 3/4" = 1'-0"



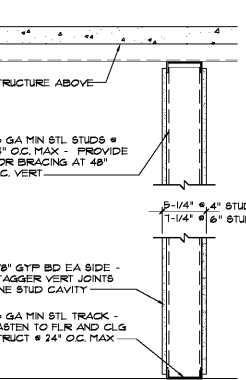
7 ROOF HATCH DETAIL
 SCALE: 3/4" = 1'-0"



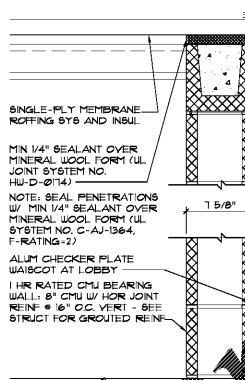
8 ABUTTING PARAPET
 SCALE: 3/4" = 1'-0"



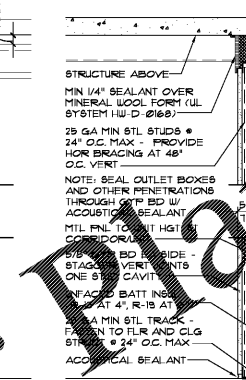
9 CANOPY SUPPORT PLAN DTL
 SCALE: 3/4" = 1'-0"



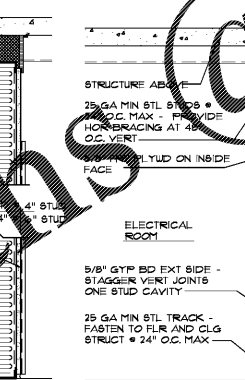
1 FULL HGT PARTITION - 4" OR 6"
 PLAN SYMBOL: [Symbol]



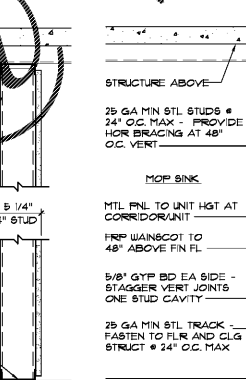
2 1 HR RATED BEARING WALL
 PLAN SYMBOL: [Symbol]



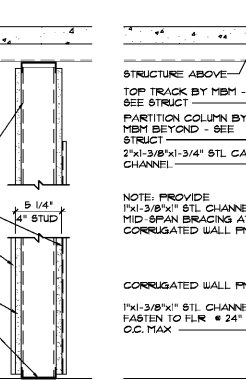
3 SOUND PARTITION - 4"
 PLAN SYMBOL: [Symbol]



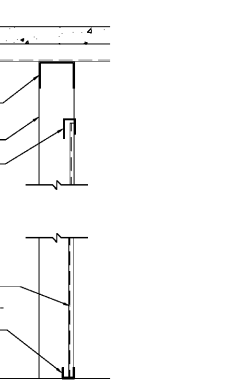
4 SOUND PARTITION - 6"
 PLAN SYMBOL: [Symbol]



5 FULL HGT PARTITION - 4"
 PLAN SYMBOL: [Symbol]



6 FULL HGT PARTITION
 PLAN SYMBOL: [Symbol]



7 STORAGE UNIT PARTITION
 PLAN SYMBOL: [Symbol]

10 PARTITION TYPES
 SCALE: 1-1/2" = 1'-0"

WWW.LDILine.com

Order Plans @