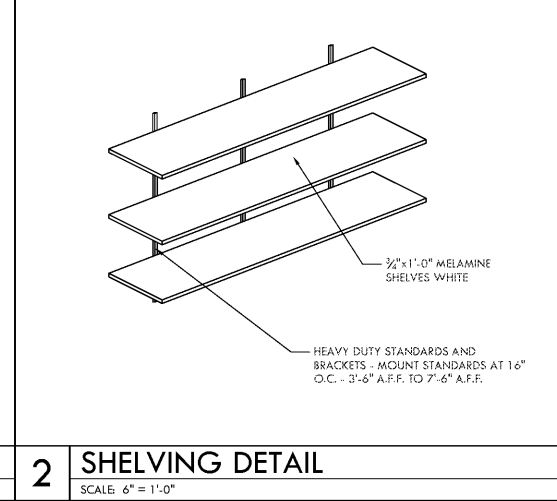
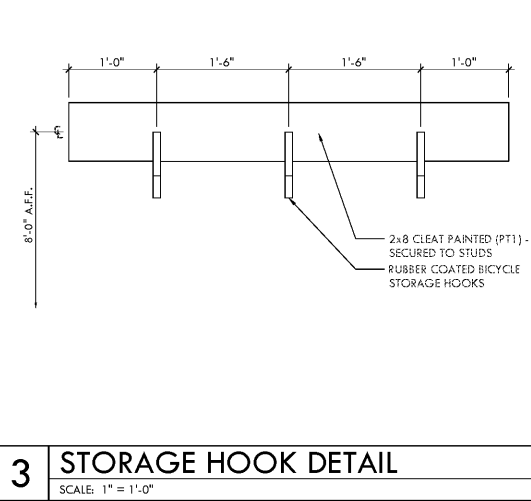


- REPLACE ANY DAMAGED OR MISSING CEILING TILES TO MATCH EXISTING - TYP.
- DASHED LINES INDICATE OUTLINES OF FIXTURES AT FLOOR BELOW.
- ACOUSTICAL CEILING HEIGHTS INDICATED ARE TO THE BOTTOM FACE OF THE SUSPENSION GRID.
- RELOCATE SPRINKLER HEADS AND FIRE ALARM DEVICES AS NECESSARY TO COMPLY WITH ALL APPLICABLE CODES SERVING JURISDICTION.
- CLEAN EXISTING HVAC DIFFUSERS TO LIKE-NEW CONDITION.
- RELAMP EXISTING LIGHT FIXTURES - TYP. REPLACE BALLASTS, IF NEEDED.

4 -  
SCALE: -



1. ALL FIXTURES ARE OWNER FURNISHED, CONTRACTOR INSTALLED, UNLESS NOTED OTHERWISE.  
2. THE FOLLOWING FIXTURES REQUIRE O.F.C.I. BASE SHIPPED WITH FIXTURE: CHOOSE ME BINS, DRESS ME WALL FIXTURES, HEAR ME/NAME ME FIXTURE, & LOVE ME FIXTURE.

FIXTURE PLAN NOTES

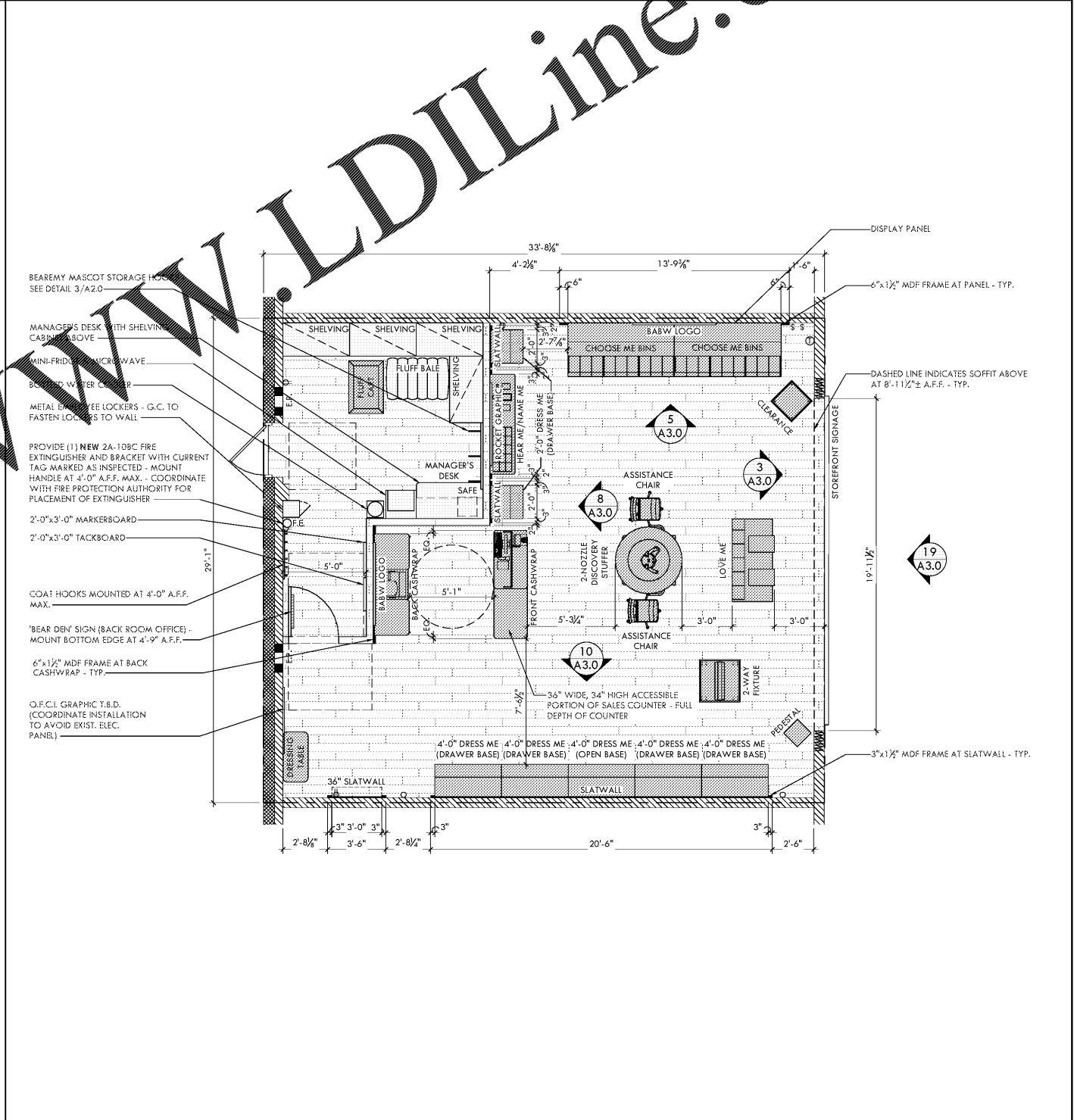
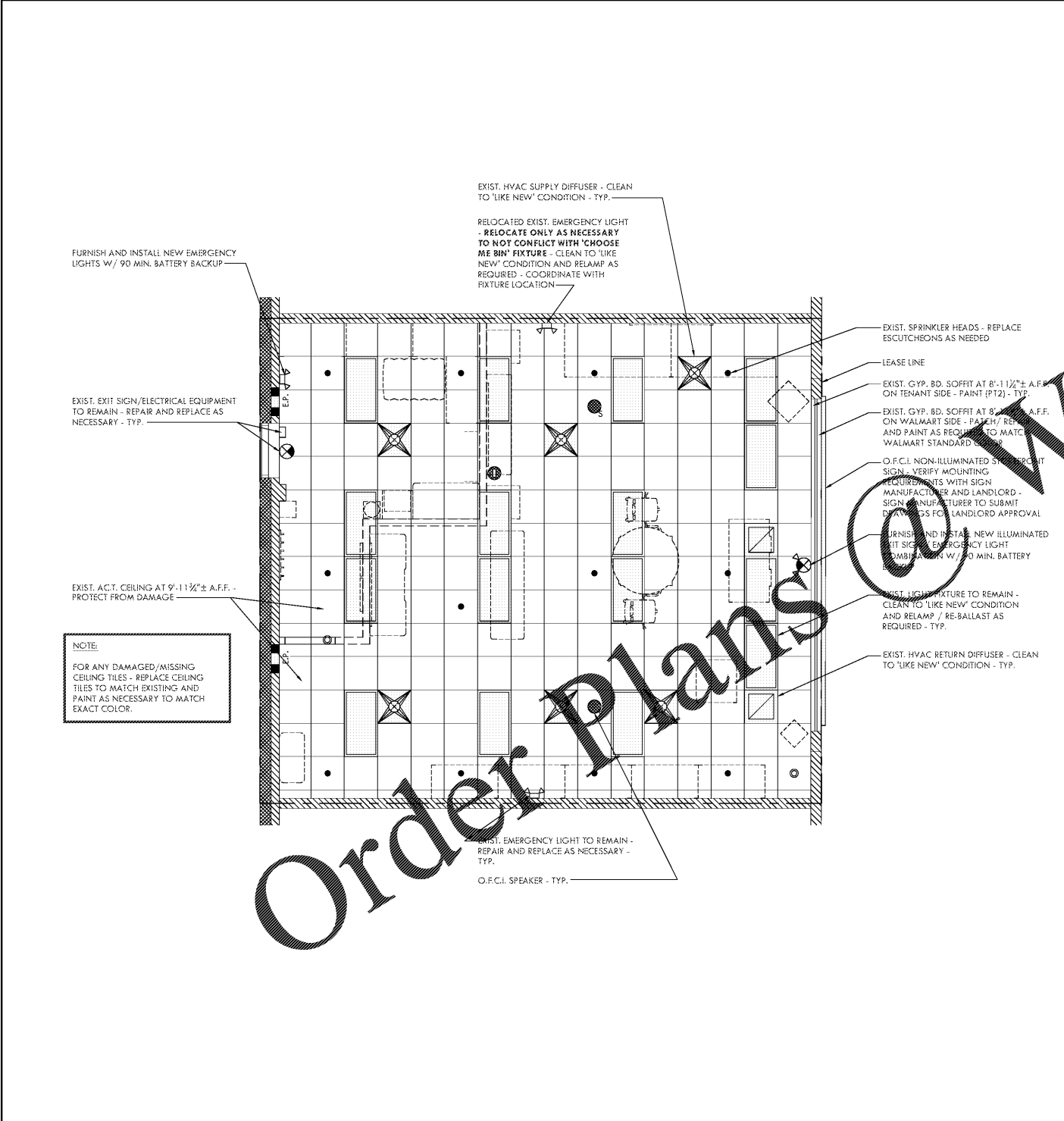
**Artifex**  
design studio  
architects

Artifex Design Studio, Inc.  
1215 Fern Ridge Pkwy  
Suite 210  
St. Louis, MO 63141  
p. 314-390-1945

COPYRIGHT © 2019  
Artifex Design Studio, Inc.

PROFESSIONAL SEAL:

GENERAL RCP NOTES



CONSULTANTS:

PROJECT TITLE:  
BUILD-A-BEAR WORKSHOP  
WOODSTOCK WALMART #5275  
WOODSTOCK, GA

BID SET

No.  $\Delta$  Date Revision Description  
BY: PCJ  
DATE: 04/01/19  
PROJ. NO. 19026  
SHEET TITLE:  
REFLECTED  
CEILING PLAN &  
FIXTURE PLAN  
SHEET NO. A2.0