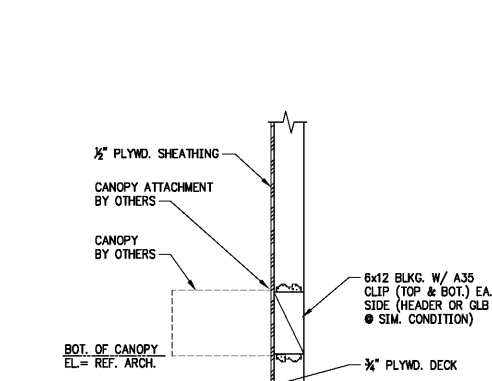
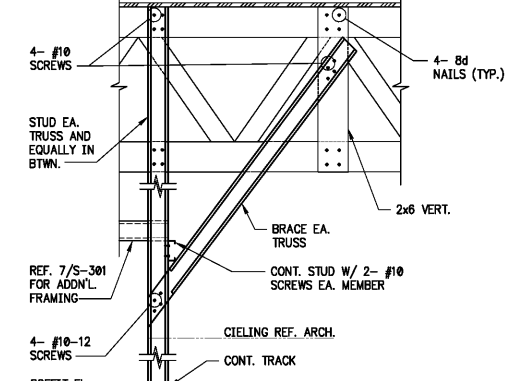


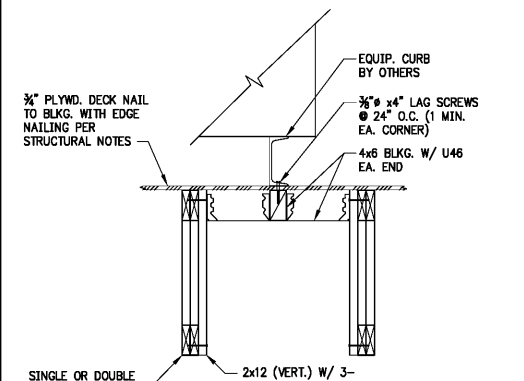
SECTION 20
SCALE: 3/8"=1'-0" S-301



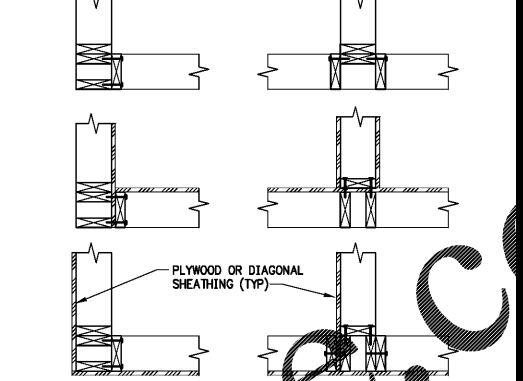
SECTION 20
SCALE: 3/8"=1'-0" S-301



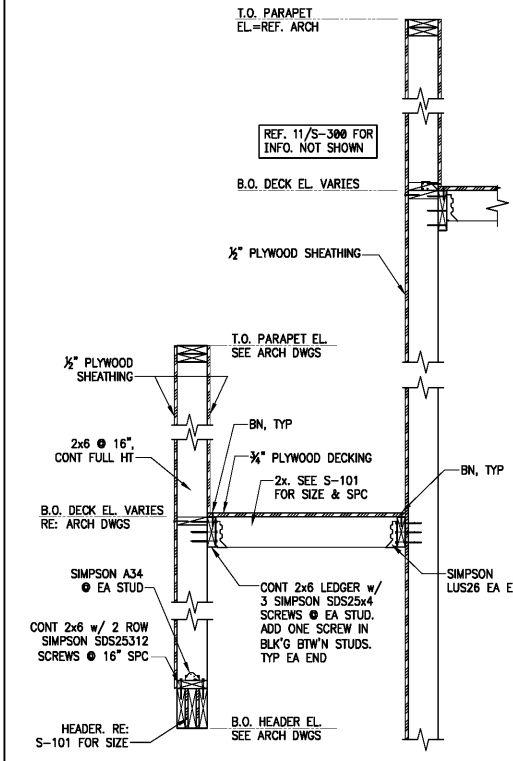
SOFFIT DETAIL @ SERV. COUNTER 12
SCALE: 3/8"=1'-0" S-301



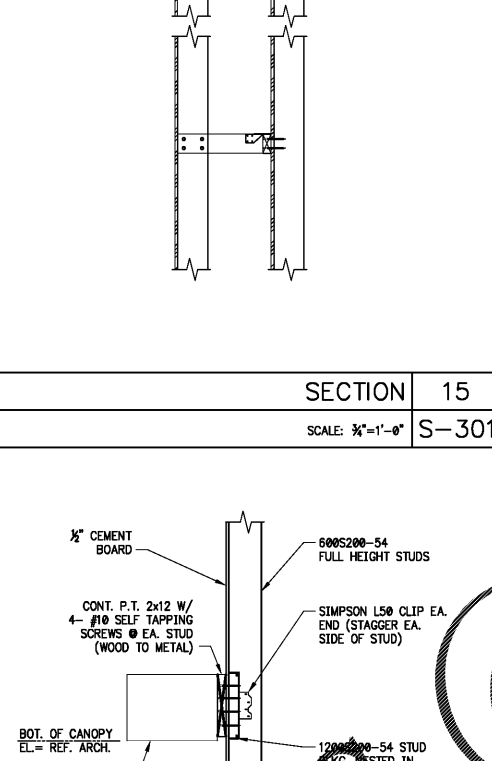
TYP. MECHANICAL SUPPORT UNIT 8
SCALE: 3/8"=1'-0" S-301



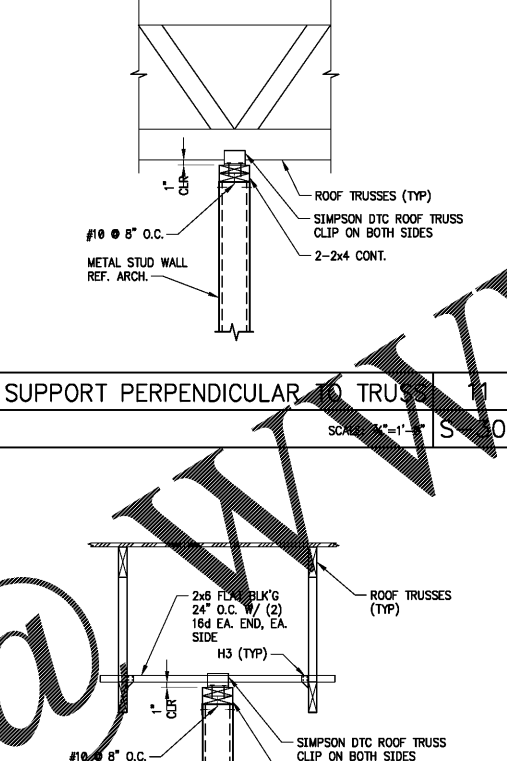
TYPICAL WALL FRAMING 4
SCALE: 3/8"=1'-0" S-301



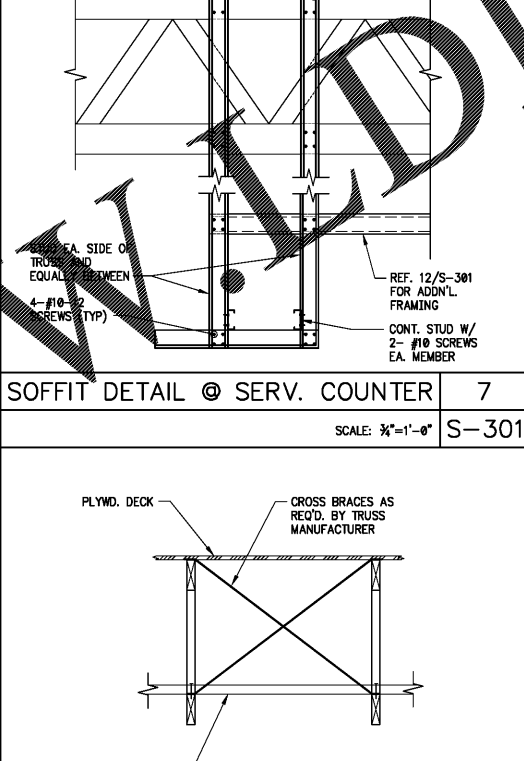
SECTION 15
SCALE: 3/8"=1'-0" S-301



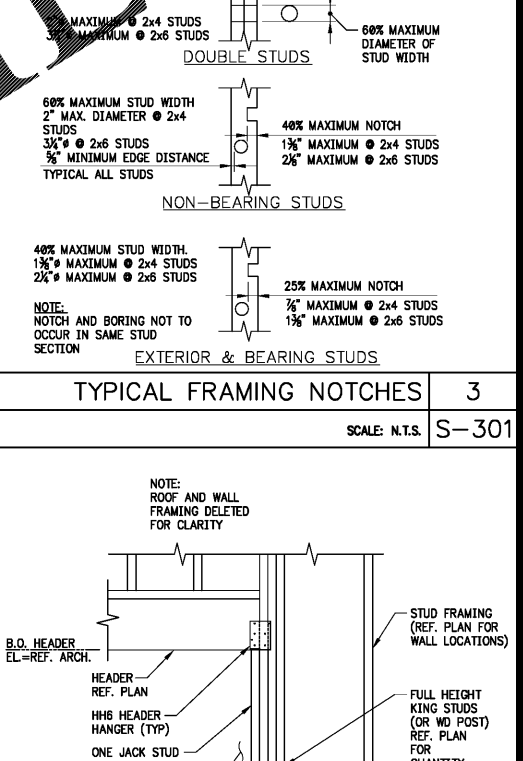
SECTION 15
SCALE: 3/8"=1'-0" S-301



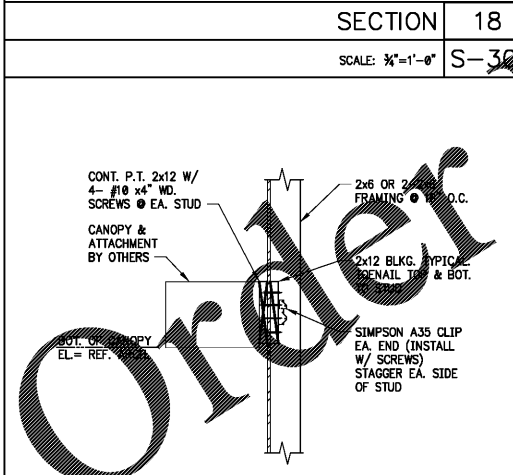
SUPPORT PERPENDICULAR TO TRUSS 11
SCALE: 3/8"=1'-0" S-301



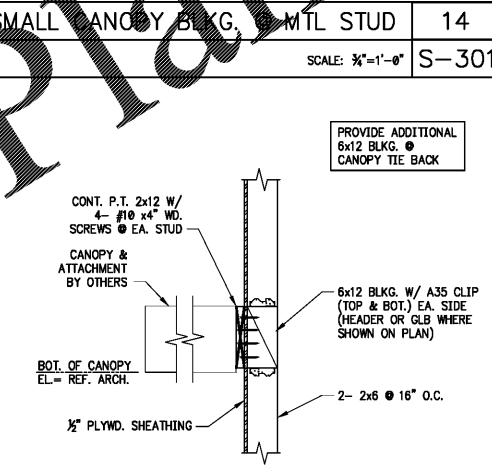
SOFFIT DETAIL @ SERV. COUNTER 7
SCALE: 3/8"=1'-0" S-301



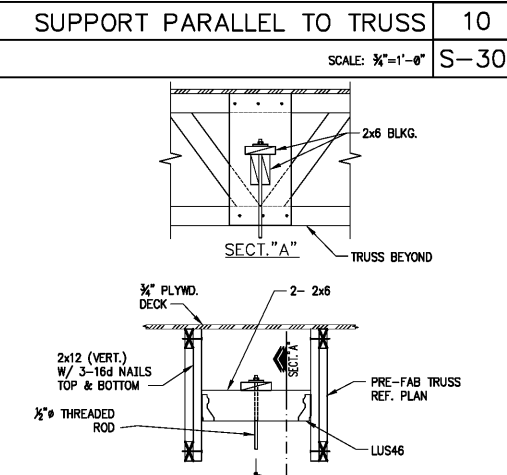
TYPICAL FRAMING NOTCHES 3
SCALE: N.T.S. S-301



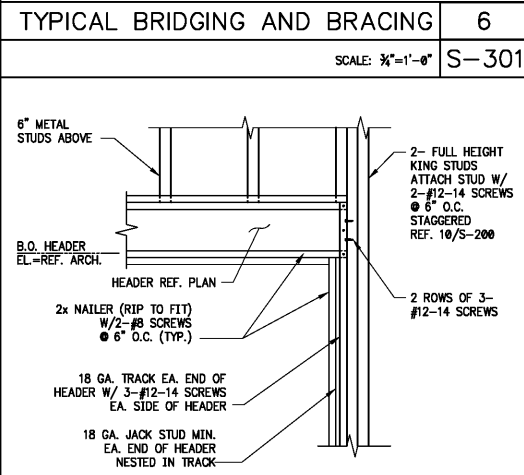
SECTION 18
SCALE: 3/8"=1'-0" S-301



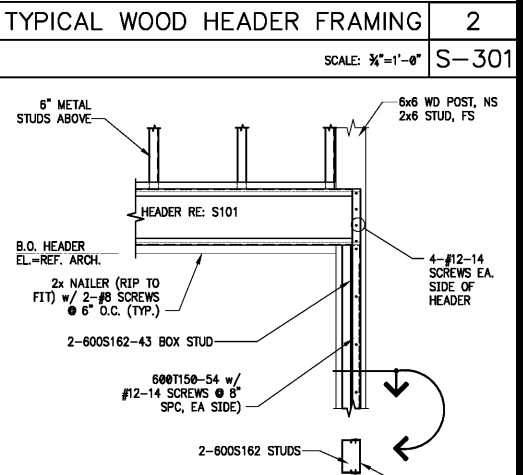
SECTION 14
SCALE: 3/8"=1'-0" S-301



SUPPORT PARALLEL TO TRUSS 10
SCALE: 3/8"=1'-0" S-301



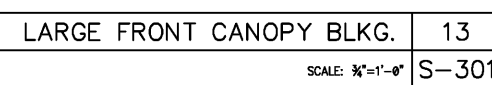
TYPICAL BRIDGING AND BRACING 6
SCALE: 3/8"=1'-0" S-301



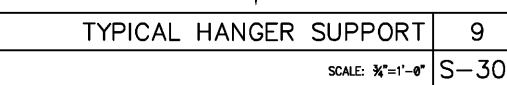
TYPICAL WOOD HEADER FRAMING 2
SCALE: 3/8"=1'-0" S-301



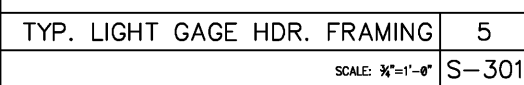
TYPICAL CANOPY BLOCK (U.N.O.) 17
SCALE: 3/8"=1'-0" S-301



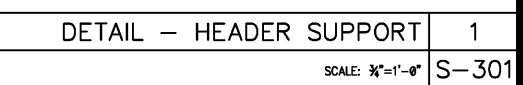
LARGE FRONT CANOPY BLKG. 13
SCALE: 3/8"=1'-0" S-301



TYPICAL HANGER SUPPORT 9
SCALE: 3/8"=1'-0" S-301



TYP. LIGHT GAGE HDR. FRAMING 5
SCALE: 3/8"=1'-0" S-301



DETAIL - HEADER SUPPORT 1
SCALE: 3/8"=1'-0" S-301



PANDA EXPRESS, INC.
1683 Walnut Grove Ave.
Rosemead, California
91770
Telephone: 626.799.9898
Facsimile: 626.372.8288

All ideas, designs, arrangement and plans indicated or represented by this drawing are the property of Panda Express Inc. and were created for use on this specific project. None of these ideas, designs, arrangements or plans may be used by or disclosed to any person, firm, or corporation without the written permission of Panda Express Inc.

REVISIONS:

ISSUE DATE:
1st ISSUE FOR PERMIT 11-30-18

DRAWN BY: EMC
PANDA PROJECT # S8-19-D6559
ARCH PROJECT # 1805

EMC
STRUCTURAL ENGINEERS, P.C.
4525 Trousdale Drive
Nashville, Tennessee 37204
(615) 781-8199
(615) 781-4088 (fax)

EMC Project No. 18377



PANDA EXPRESS
ELM HILL PIKE AT DONELSON PIKE
2740 ELM HILL PIKE
NASHVILLE, TN 37214

2200 TRUE R1 (DAB 013)

S-301

TYPICAL FRAMING DETAILS & SECTIONS