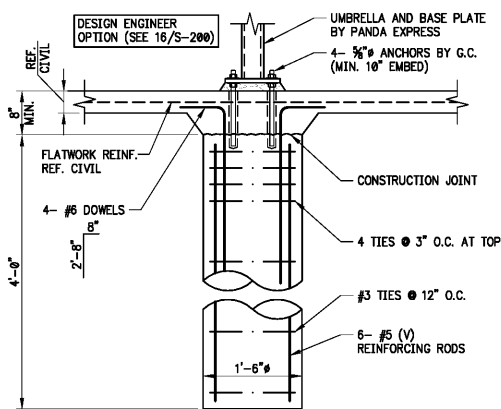
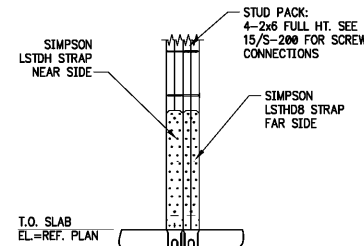


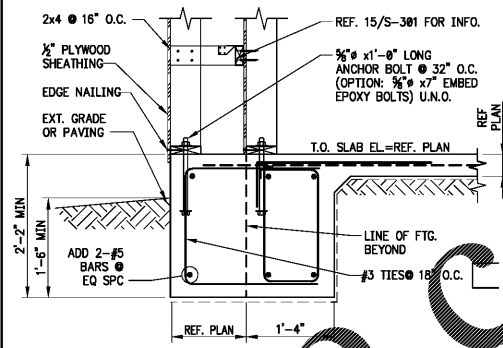
BUILT-UP POST FASTENERS 15
SCALE: 3/8"=1'-0" S-200



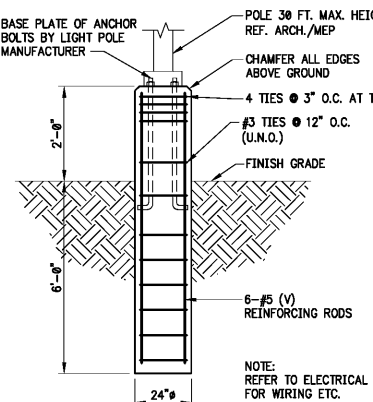
UMBRELLA FOUNDATION 12
SCALE: 3/8"=1'-0" S-200



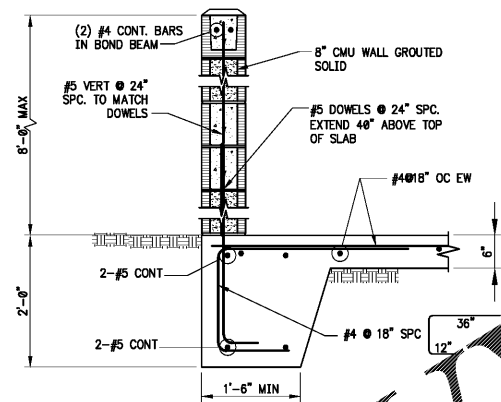
SECT. "A"



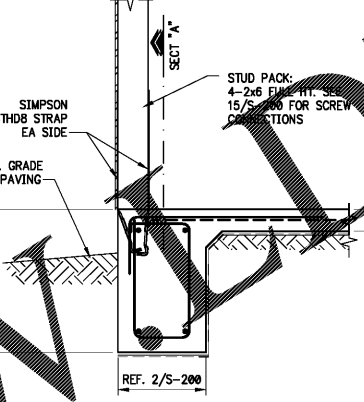
SECTION 4
SCALE: 3/8"=1'-0" S-200



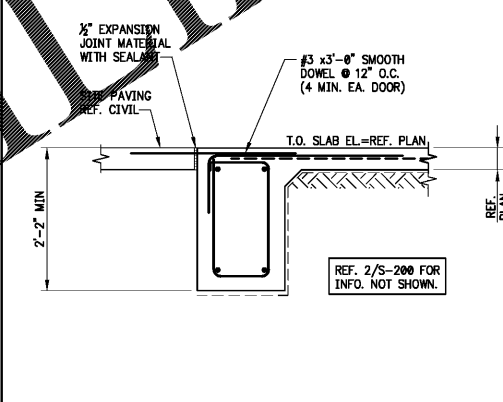
TYPICAL LIGHT POLE SECTION 15
SCALE: NONE S-200



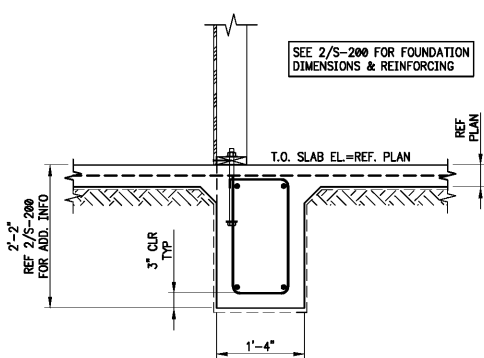
TRASH ENCLOSURE WALL 11
SCALE: 3/8"=1'-0" S-200



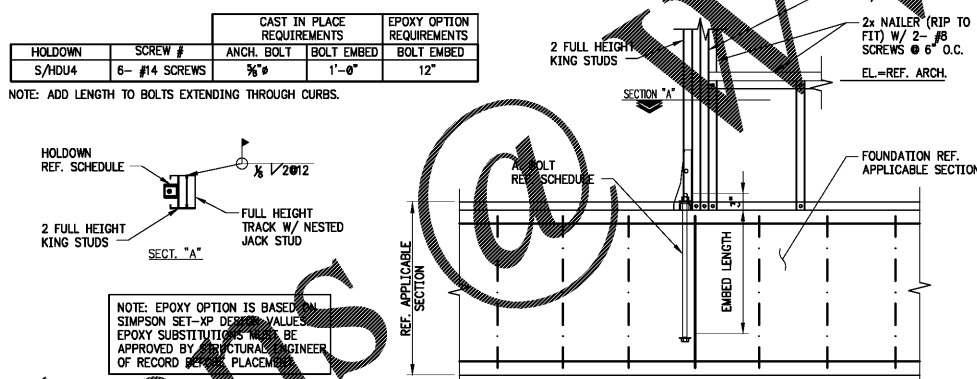
SECTION 7
SCALE: 3/8"=1'-0" S-200



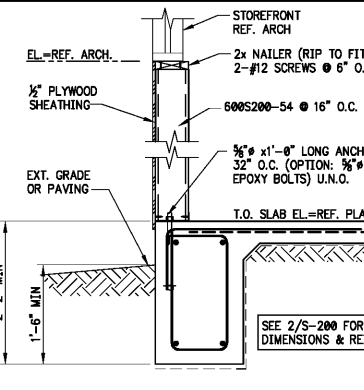
SECTION 3
SCALE: 3/8"=1'-0" S-200



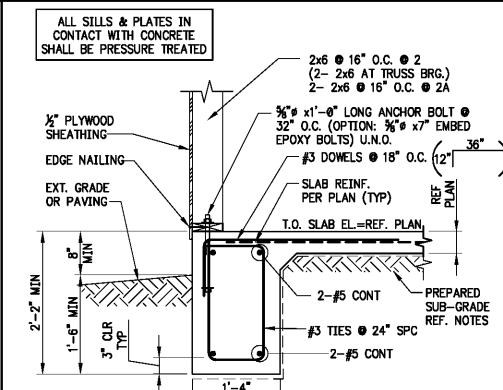
SECTION 18
SCALE: 3/8"=1'-0" S-200



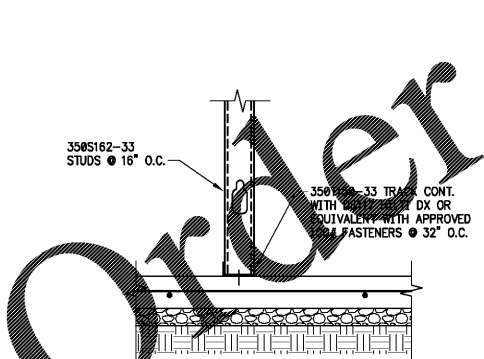
TYPICAL HOLDOWN DETAIL- LIGHT GAGE 10
SCALE: NONE S-200



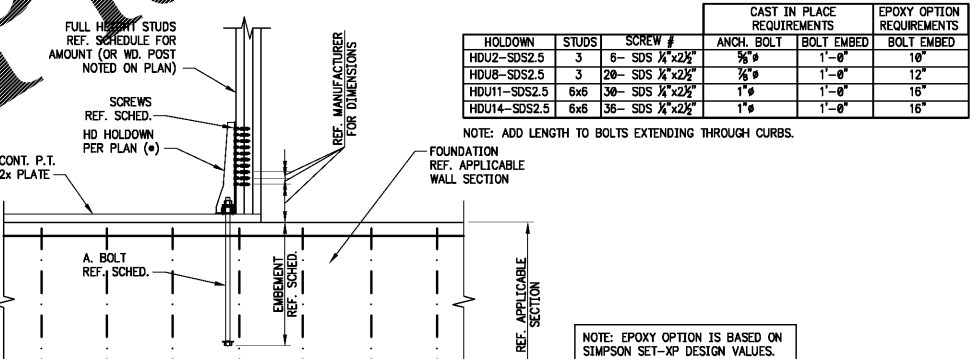
SECTION 6
SCALE: 3/8"=1'-0" S-200



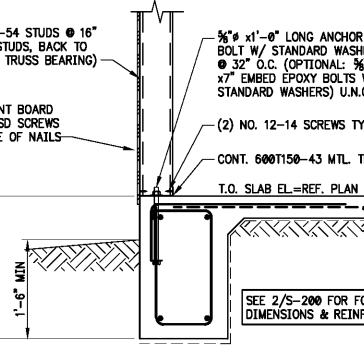
SECTION 2 2A
SCALE: 3/8"=1'-0" S-200



SLAB AT NON BEARING WALL 17
SCALE: N.T.S. S-200



TYPICAL HOLDOWN DETAIL- WOOD 9
SCALE: NONE S-200



SECTION 5
SCALE: 3/8"=1'-0" S-200



PANDA EXPRESS, INC.
1683 Walnut Grove Ave.
Rosemead, California
91770
Telephone: 626.799.9898
Facsimile: 626.372.8288

All ideas, designs, arrangement and plans indicated or represented by this drawing are the property of Panda Express Inc. and were created for use on this specific project. None of these ideas, designs, arrangements or plans may be used by or disclosed to any person, firm, or corporation without the written permission of Panda Express Inc.

REVISIONS:

ISSUE DATE:

1st ISSUE FOR PERMIT 11-30-18

DRAWN BY: EMC

PANDA PROJECT # S8-19-D6559
ARCH PROJECT # 1805

EMC
STRUCTURAL ENGINEERS, P.C.
4525 Trousdale Drive
Nashville, Tennessee 37204
(615) 781-8199
(615) 781-4088 (fax)

EMC Project No. 18377



PANDA EXPRESS
ELM HILL PIKE AT DONELSON PIKE
2740 ELM HILL PIKE
NASHVILLE, TN 37214

2200 TRUE R1 (DAB 013)

S-200

FOUNDATION DETAILS