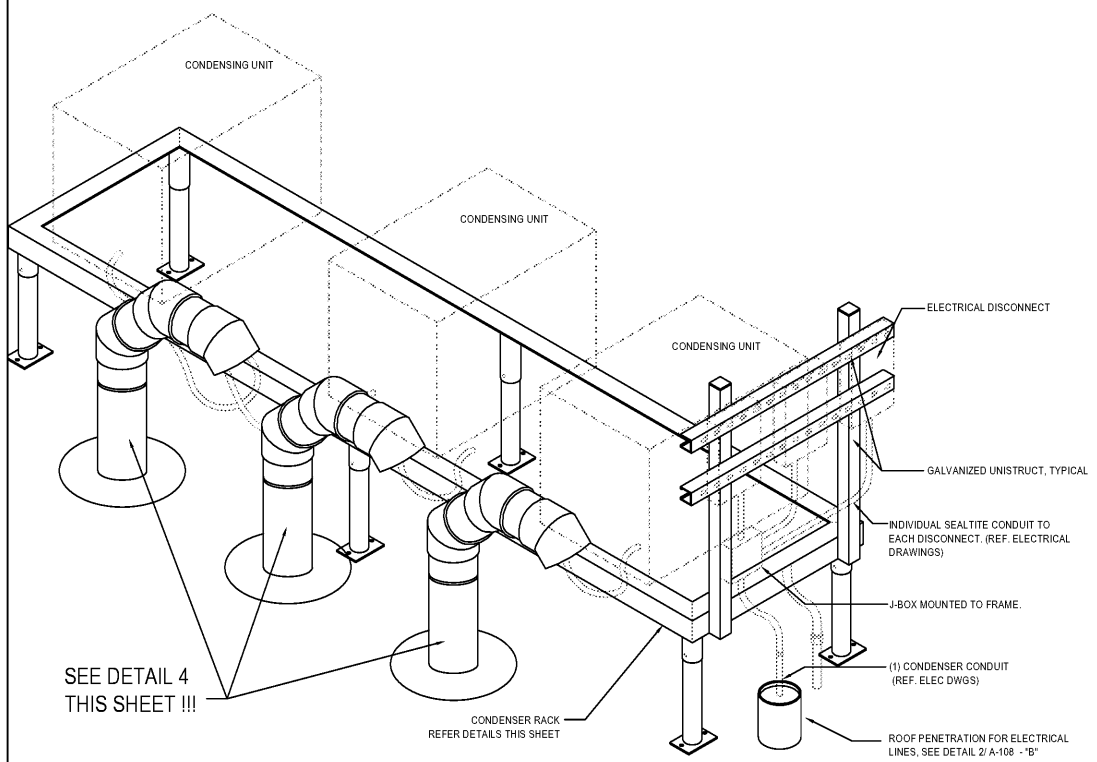
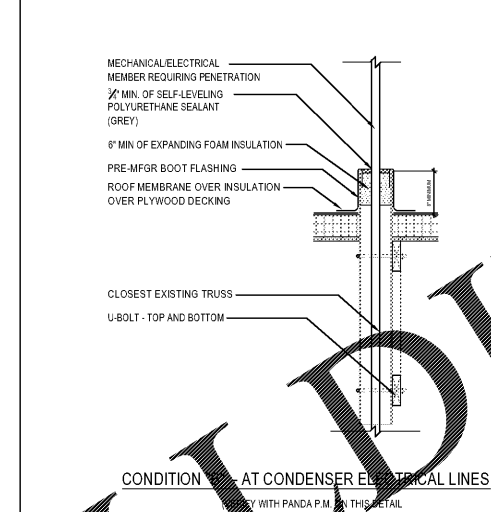


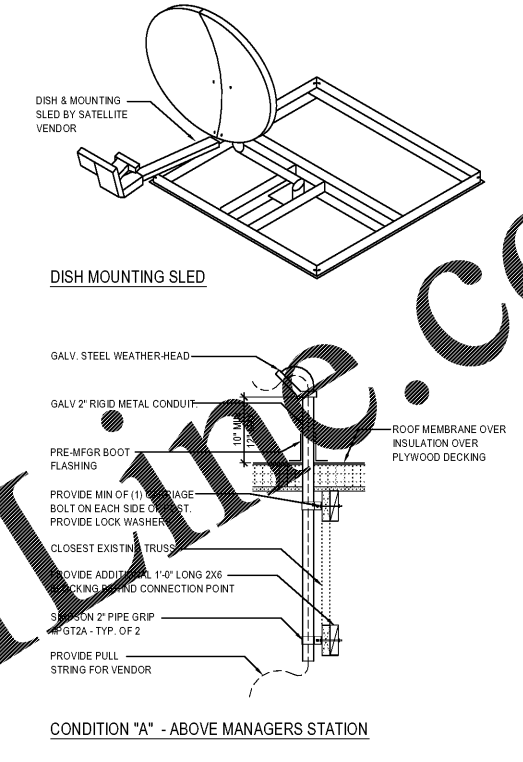
ROOF EXHAUST FAN 5
Scale= 1/4" = 1'-0" A-108



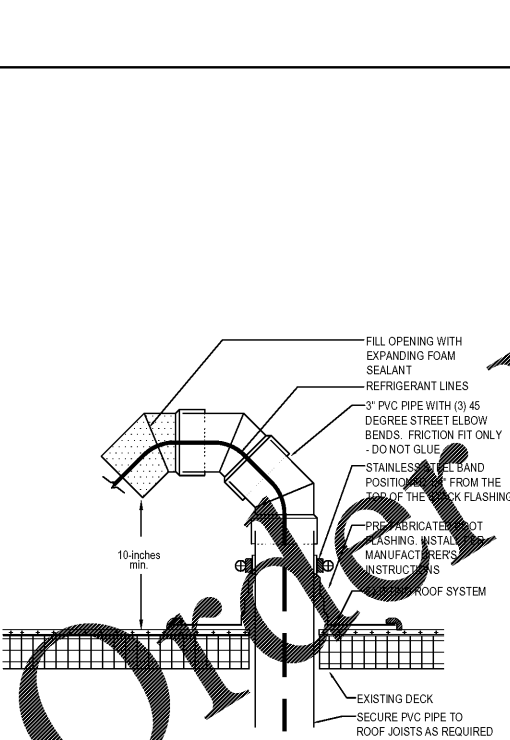
CONDENSER RACK ISOMETRIC 3
Scale= 3/4" = 1'-0" A-108



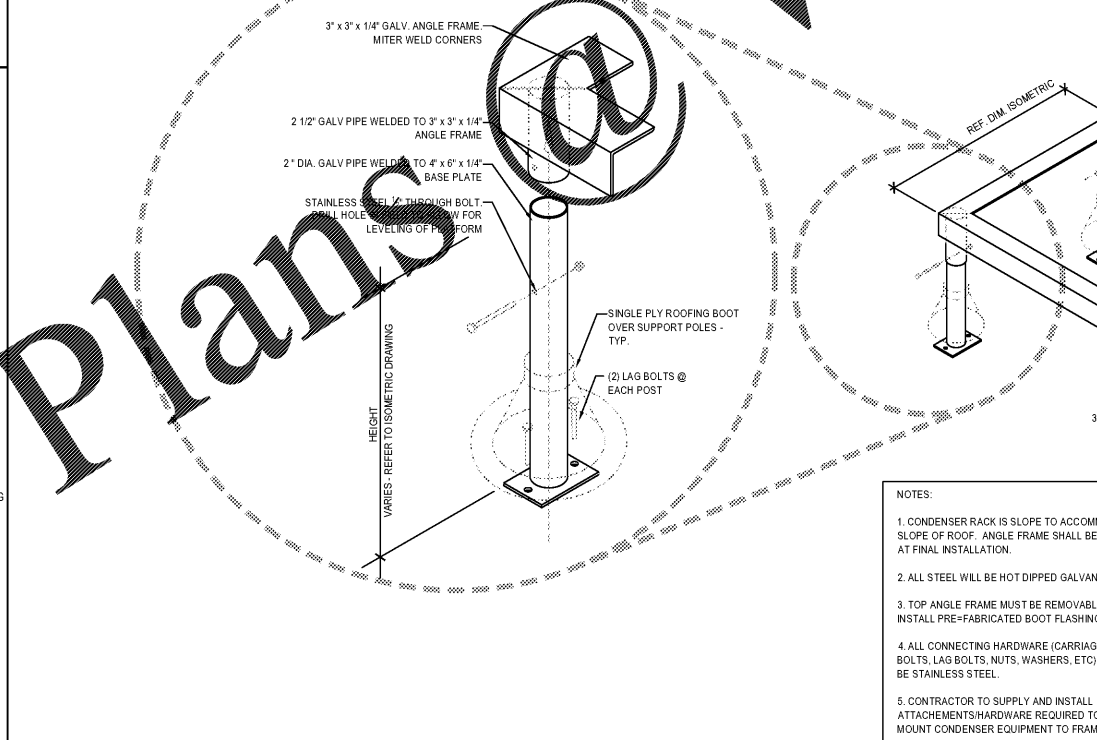
ROOF PENETRATION DETAIL AT REF. / ELEC. LINES AND SATELLITE DISH 2
Scale= 3/4" = 1'-0" A-108



DISH MOUNTING SLED 2
Scale= 3/4" = 1'-0" A-108

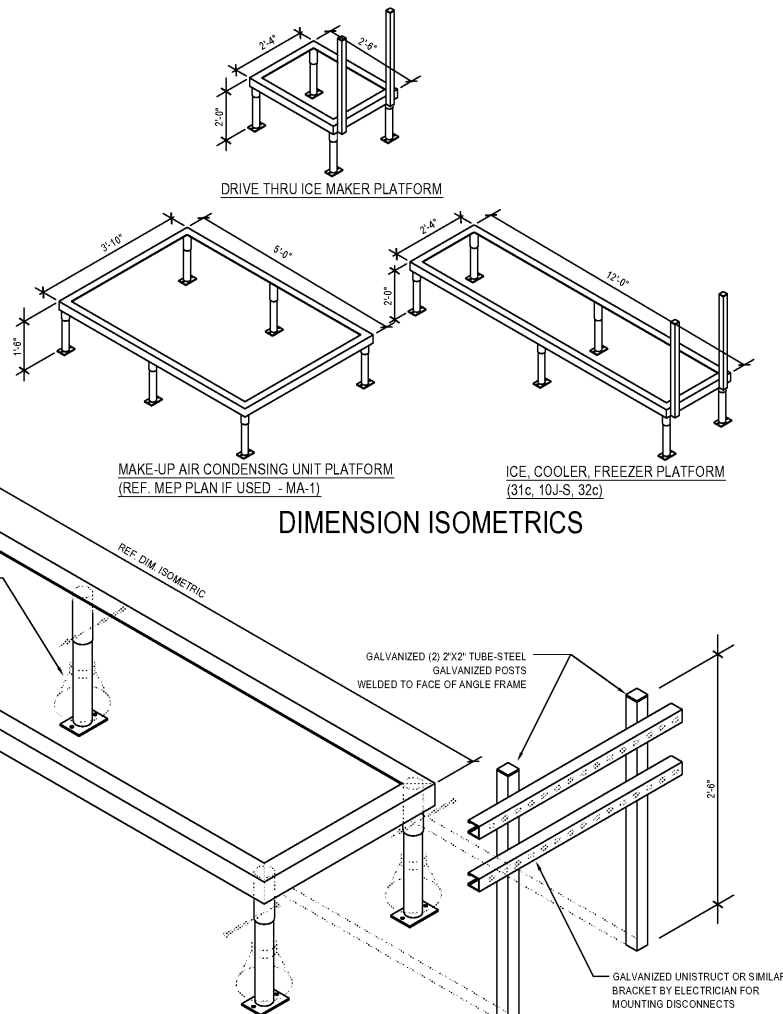


PVC ROOF PENETRATION 4
Scale= 1/2" = 1'-0" A-108



- NOTES:
- CONDENSER RACK IS SLOPE TO ACCOMMODATE SLOPE OF ROOF. ANGLE FRAME SHALL BE LEVEL AT FINAL INSTALLATION.
 - ALL STEEL WILL BE HOT DIPPED GALVANIZED.
 - TOP ANGLE FRAME MUST BE REMOVABLE TO INSTALL PRE-FABRICATED BOOT FLASHING.
 - ALL CONNECTING HARDWARE (CARRIAGE BOLTS, LAG BOLTS, NUTS, WASHERS, ETC) SHALL BE STAINLESS STEEL.
 - CONTRACTOR TO SUPPLY AND INSTALL ATTACHEMENTS/HARDWARE REQUIRED TO MOUNT CONDENSER EQUIPMENT TO FRAME.
 - UNISTRUCT SHALL BE GALVANIZED

FREEZER / COOLER / ICE MAKER CONDENSER RACK DETAILS 1
Scale= 3/4" = 1'-0" A-108



PANDA EXPRESS, INC.
1683 Walnut Grove Ave.
Rosemead, California 91770
Telephone: 626.799.9898
Facsimile: 626.372.8288

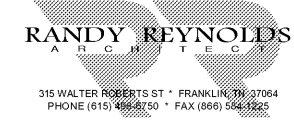
All ideas, designs, arrangement and plans indicated or represented by this drawing are the property of Panda Express Inc. and were created for use on this specific project. None of these ideas, designs, arrangements or plans may be used by or disclosed to any person, firm, or corporation without the written permission of Panda Express Inc.

REVISIONS:

ISSUE DATE:

DRAWN BY: RR

PANDA PROJECT # S8-19-D6559
ARCH PROJECT # 1805



315 WALTER ROBERTS ST • FRANKLIN, TN 37064
PHONE (615) 496-8250 • FAX (666) 584-1225

SEAL
RANDY L. REYNOLDS
REGISTERED ARCHITECT
NO. 2104
STATE OF TENNESSEE
11/18

PANDA EXPRESS
ELM HILL PIKE AT DONELSON PIKE
2740 ELM HILL PIKE
NASHVILLE, TN 37214
2200 TRUE R1 (DAB 013)

A-108
CONDENSER RACK
DETAIL