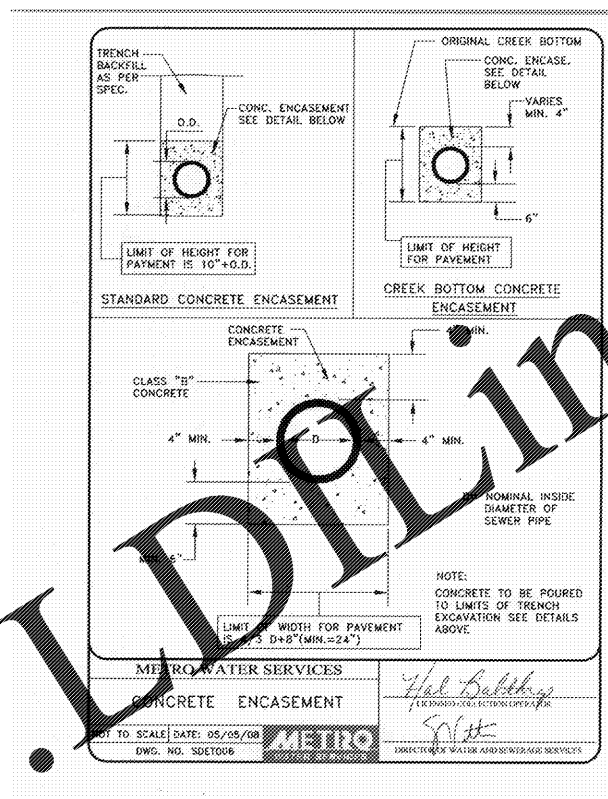
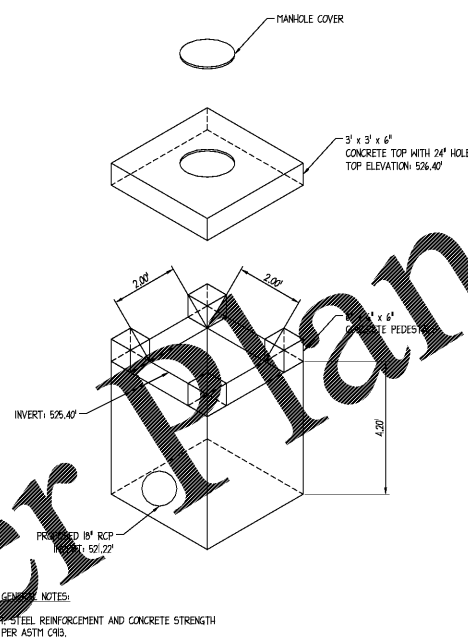


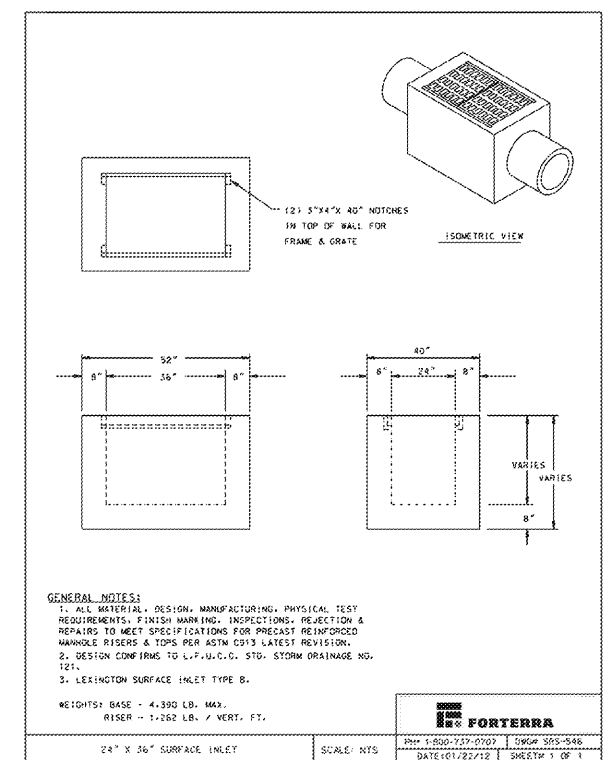
1 CONCRETE CRADLE NTS



2 CONCRETE ENCASUREMENT NTS



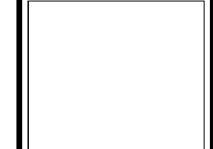
3 POND OUTLET STRUCTURE NTS



4 FORTERRA 24" 36" SURFACE INLET NTS



**Ingenium**  
PLANNING & ENGINEERING  
1449 N DALE HARRY HWY  
SUITE 250  
TAMPA, FL 33618  
813.977.0004  
WWW.INGENIUMTEAM.COM



PANDA EXPRESS, INC.  
STORE NUMBER: ###  
DEVELOPMENT NUMBER: 6599  
2740 ELM HILL PIKE  
NASHVILLE, TENNESSEE



CLIENT:  
PANDA EXPRESS, INC.  
1683 WALNUT GROVE AVENUE  
ROSEMEAD, CA 91770  
PHONE: 626-799-9898

REVISION HISTORY	

THE CIVIL ENGINEER REGULARLY UPDATES ELECTRONIC FILES DURING THE DEVELOPMENT OF A PROJECT. AS A RESULT, THE DATA INCLUDED IN ANY CAD FILE OR DRAWING PRIOR TO ITS FINAL RELEASE DOES NOT NECESSARILY REFLECT THE CONTRACT'S SCOPE OR CONTENT, AS DEFINED IN THE CONTRACT. THE CONTENTS IN THESE FILES MAY THEREFORE BE PRELIMINARY, INCOMPLETE, MADE IN PROGRESS, AND SUBJECT TO CHANGE. FURTHERMORE, THE INFORMATION CONTAINED HEREIN IS THE EXCLUSIVE PROPERTY OF THE CIVIL ENGINEER. THE ORIGINAL DESIGN REPRESENTED HEREIN IS THE PROPERTY OF THE CIVIL ENGINEER. THESE PLANS ARE NOT TO BE USED, ALTERED, OR REPRODUCED IN ANY FORMER WITHOUT THE EXPRESS WRITTEN CONSENT OF THE CIVIL ENGINEER. THESE PLANS ARE SUBJECT TO FEDERAL COPYRIGHT LAWS. ANY USE OF SAME WITHOUT EXPRESS WRITTEN PERMISSION OF THE CIVIL ENGINEER IS PROHIBITED.

PROJ # 10050  
DWG NAME 10050 COALDING  
ISSUE DATE 1/30/2016  
PROJ TIER LC

UTILITY DETAILS 1

C04.1  
SHEET NUMBER

Order Plans @ WWW.LDOnline.com

ISSUED FOR PERMITS