

FAN SCHEDULE												
MARK	DESCRIPTION	MFR.	CATALOG NUMBER	CFM (NOM)	STATIC PRESS.	MOTOR H.P.	ELECTRICAL			ACCESSORIES	REMARKS	REF. DETAIL
							V/PH	MCA	MOCP			
EE-1	INLINE EXHAUST FAN	COOK	GN-642	500	0.1	195W	120/1	-	-	BD,DS,WC	▲	-
EE-2	INLINE FAN	COOK	GN-642	500	0.1	195W	120/1	-	-	BD,DS,SS	▲	-

ACCESSORIES

BD - GRAVITY BACK DRAFT DAMPER
 DS - DISCONNECT SWITCH
 WC - WALL CAP. "COOK" #WCA-6, ALUMINUM
 SS - FAN SPEED SWITCH "COOK" #FSC (OFFICE ONLY)

REMARKS

▲ ADJUST FOR CFM REQUIRED.
 ▲ EXHAUST FAN SHALL BE WIRED BY THE ELECTRICAL CONTRACTOR TO OPERATE WITH EITHER RESTROOM'S LIGHT SWITCH.
 ▲ FAN IN OFFICE TO BE CONTROLLED BY FAN SPEED SWITCH.

APPROVED ALTERNATE MANUFACTURER'S

FANS: *GREENHECK *CARNES

GRILLE AND DIFFUSER SCHEDULE										
MARK	DESCRIPTION	MFR.	CATALOG NUMBER	SIZE (IN.)	FINISH	MOUNTING	BRANCH DUCT SIZE	ACCESSORIES	REMARKS	REF. DETAIL
(R2)	RETURN GRILLE	ANEMOSTAT	GC5	12x12	WHITE	SURFACE	SEE PLAN	-	NON-FILTERED GRILLE	3/M2
(X1)	EXHAUST GRILLE	ANEMOSTAT	53HS	12x12	WHITE	CEILING	SEE PLAN	OB	-	-

ACCESSORIES

OB - DISPOSED BLADE DAMPER, DIRECTIONAL TABS.

REMARKS

▲ 1-WAY
 ▲ DIRECTIONAL TABS, ADJUST TO PROVIDE THROW AS INDICATED ON PLANS.

APPROVED ALTERNATE MANUFACTURER'S

GRILLES, DIFFUSERS & DAMPERS:
 *TUTTLE & BAILEY *HAROR *ARROW *CARNES
 *PRICE INDUSTRIES *TITUS *KRUEGER

NATIONAL ACCOUNT ROOFTOP UNIT SCHEDULE - 5 TON - HEAT PUMP (1-PHASE)																			
RTU - RESPONSIBILITIES												CALL THE CARRIER CUSTOMER SERVICE REP. BELOW FOR CONFIRMATION OF ORDERS. DO NOT CALL CARRIER FOR QUOTES!							
1.) ALL CARRIER HVAC UNITS ARE OWNER SUPPLIED BY O'REILLY AUTOMOTIVE. 2.) MECHANICAL CONTRACTOR IS RESPONSIBLE FOR THE INSTALLATION OF ALL CARRIER HVAC UNITS. 3.) MECHANICAL CONTRACTOR IS RESPONSIBLE FOR THE FIRST YEAR LABOR WARRANTY ON ALL OWNER SUPPLIED EQUIPMENT. 4.) MECHANICAL CONTRACTORS WORKING ON O'REILLY PROJECTS MUST CALL "CARRIER CORPORATION'S NATIONAL ACCOUNTS" DEPARTMENT FOR CONFIRMATION OF ORDERS ONLY! 5.) MECHANICAL CONTRACTOR IS RESPONSIBLE FOR SCHEDULING, SHIPPING & RECEIVING OF ALL CARRIER UNITS FROM CARRIER NATIONAL ACCOUNTS. CONTACT CUSTOMER SERVICE REP. LISTED TO THE RIGHT.												CARRIER CORPORATION, STRATEGIC ACCOUNTS CARRIER PARKWAY SYRACUSE, NEW YORK 13221 CUSTOMER SERVICE REP: MARIA CAMPANELLO 315-432-3946 maria.campanello@carrier.utc.com ACCOUNT MANAGER: PAUL WITZ CELL 315-317-2467 paul.witz@carrier.utc.com							
MARK	DESCRIPTION	MFR.	CATALOG NUMBER	HTG. MBH		CLG. MBH	TOT.	SENS.	SEER	EER	HSPF	SUPPLY FAN			ELECTRICAL		WT. (LBS.)	ACCESSORIES	REF. DET.
				IN	OUT							CFM	O.A.	ESP	HP	MCA			

RTU-1 WEATHERMASTER PACKAGED ROOFTOP UNIT 5-TON CARRIER 50H00A0680A3-0A100 NO ELECTRIC HEATER 61.5 47.3 15.00 12.50 8.20 2000 ▲ 0.32 1.0 41 60 750 SEE BELOW ▲

ACCESSORIES - FACTORY SUPPLIED AND INSTALLED

LB - LOW STATIC BLOWER, (DIRECT DRIVE, EDM TYPE)
 SD - RETURN AIR SMOKE DETECTOR
 UPO - UN-POWERED CONVENIENCE OUTLET (FIELD POWERED), 15AMP, 120V, GROUND FAULT CIRCUIT INTERRUPTER (GFCI) TYPE
 TRB - THRU-THE-BOTTOM-ELECTRIC SERVICE. (SEE ROOF TOP UNIT DETAILS)
 SE - HL & LOW REFRIGERANT SAFETY SWITCHES (STANDARD ON EVERY UNIT)
 AF - 2" RETURN AIR FILTERS (STANDARD ON EVERY UNIT)
 COF - CONDENSATE OVERFLOW SWITCH.

ACCESSORIES - FACTORY SUPPLIED & FIELD INSTALLED

HC - DOWNED HAIL GUARDS
 SPW - SINGLE POINT WIRING KIT FOR ELECTRIC HEATER
 CO2 - CO2/SPACE TEMPERATURE SENSOR WITH LOGIC BOARD & NO OVERRIDE
 EC - ENTHALPY ECONOMIZER, W/ BARIUM RELAY
 RTRS - REMOTE TEST/RESET STATION, CARRIER (TRIP TEST) #400 FOR REMOTE TESTING/RESETTING OF DUCT SMOKE DETECTOR. SEE PLAN FOR MOUNTING LOCATIONS.
 HSA - ALARM STROBE CARRIER #653 (ORSDN# 001400), AUDIBLE/VISUAL SIGNAL DEVICE FOR SIGNALING ALARM DUCT SMOKE DETECTOR. SEE HVAC PLAN FOR MOUNTING LOCATIONS.

ACCESSORIES - O'REILLY SUPPLIED & FIELD INSTALLED

TS1 - GRIDPOINT THERMOSTAT, (NO SUBSTITUTIONS), REFER TO SUP SHEETS.
 DS - NON-FLUSH DISCONNECT SWITCH, (GRABBAR/O'REILLY) EMULATED W/ ELECTRICAL BILL OF MATERIALS.

ACCESSORIES - FIELD SUPPLIED & INSTALLED

RC1 - CONDENSATE PLENUM (12" STANDARD) IN EXTREME SNOG DRAFT AREA(S) ON NEW BUILDING. THIS CURB IS BY BUILDING MANUFACTURER. ON EXISTING BUILDING, ROOF CURB IS BY GENERAL CONTRACTOR. WEIGHT OF ROOF CURB IS NOT INCLUDED IN THE WEIGHT ABOVE.
 DR - DRAIN SUPPLY RETURN PLENUM/DIFFUSER, +MODEL #01-535-18 (535 SERIES), EXPOSED PLENUM, W/ FILTER.

REMARKS

▲ COOLING CAPACITY BASED ON 80°F EDB AND 67°F EWB
 HEAT PUMP HEATING CAPACITY BASED ON 47° O.D. & 30° RETURN AIR.
 ▲ CAPACITY BASED ON 95°F AMBIENT TEMPERATURE.
 ▲ NOTE HVAC COMPLETION AT CONSTRUCTION COMPLETION. INSIDE ALL HVAC UNITS/CLEAN NEW AIR FILTERS.
 1. CONTRACTOR SHALL REPLACE ALL RETURN AIR FILTERS INSIDE ALL HVAC UNITS/CLEAN NEW AIR FILTERS.
 2. CONTRACTOR SHALL SUPPLY ADDITIONAL CLEAN SENSITIVE FILTERS TO THE OWNER AT JOB COMPLETION.
 3. CONTRACTOR SHALL SHOW THE STORE MANAGER THE LOCATION & INSTRUCT HIM/HER HOW TO CHANGE FILTERS.
 ▲ FACTORY EQUIPPED WITH STANDARD LOW AMBIENT COOLING TO 30°F ODB.
 ▲ OUTSIDE AIR, SEE PLAN FOR UNIT(S) REQUIRING OUTSIDE AIR.
 ▲ REFRIGERANT = R410A (PURON).
 * MAXIMUM CIRCUIT BREAKER OR TIME-DELAY FUSE.

CONDENSATE OVERFLOW SWITCH, TYPICAL ALL RTU (COF)

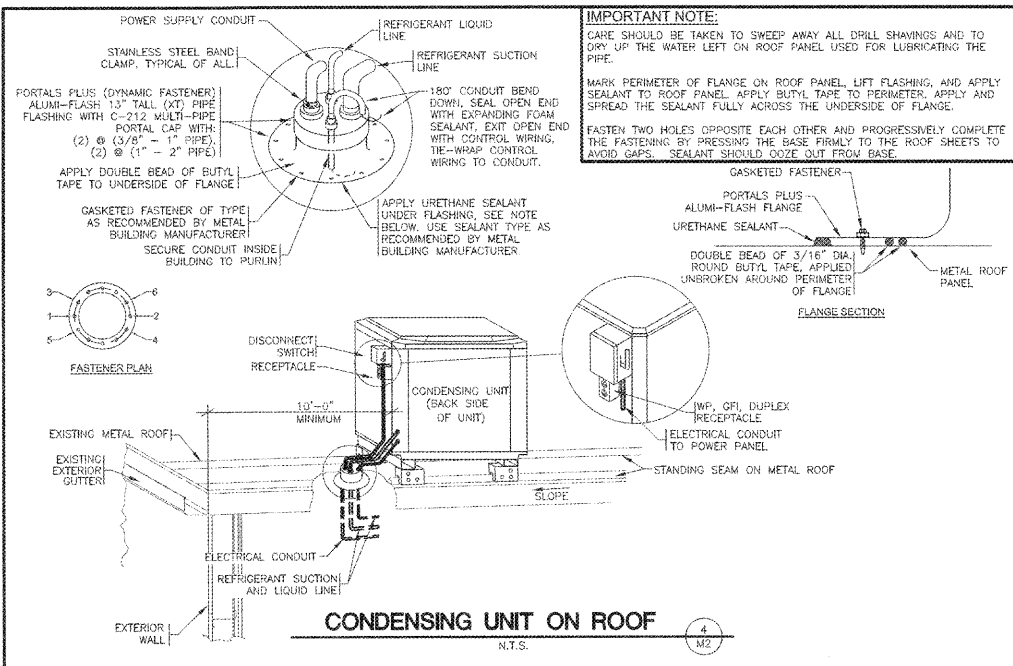
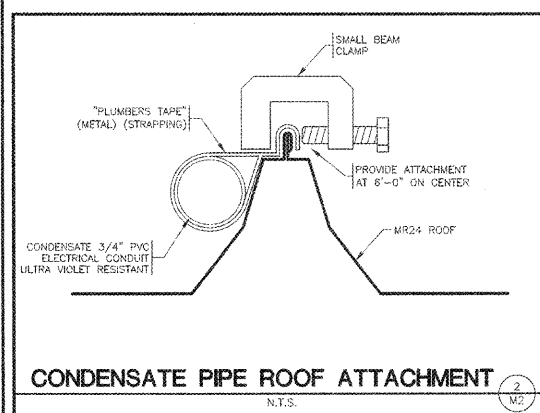
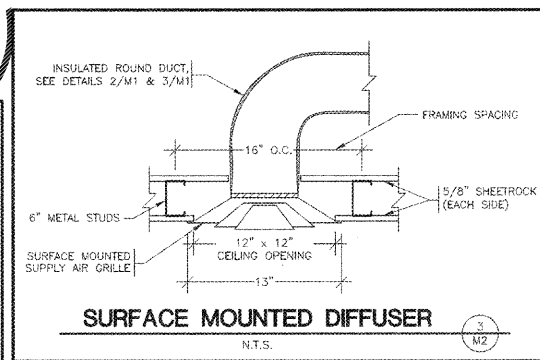
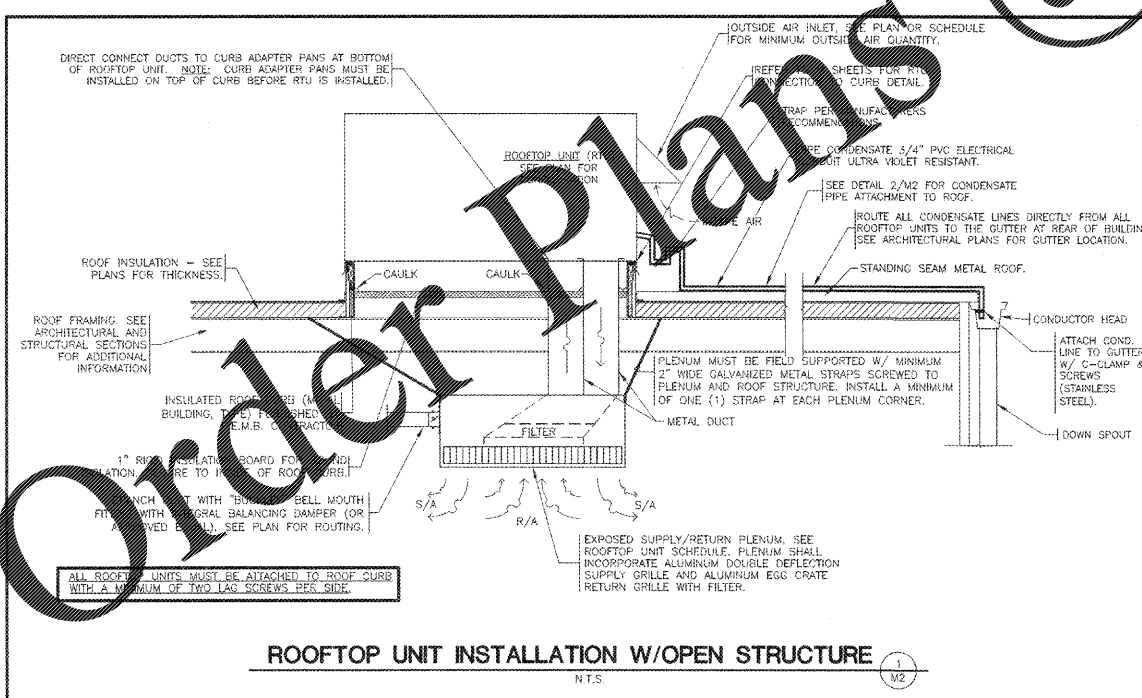
THIS SENSOR AND RELATED CONTROLLER MONITORS THE CONDENSATE LEVEL IN THE DRAIN PAN AND SHUTS DOWN COMPRESSOR OPERATION WHEN OVERFLOW CONDITIONS OCCUR. IT INCLUDES:

- INDICATOR LIGHT - SOLID RED (MORE THAN 10 SECONDS ON WATER CONTACT - COMPRESSORS DISABLED), BLINKING RED (SENSOR DISCONNECTED)
- 10-SECOND DELAY TO BREAK - ELIMINATED NUISANCE TRIPS FROM SPLASHING OR WAVES IN PAN (SENSOR NEEDS 10 SECONDS OF CONSTANT WATER CONTACT BEFORE TRIPPING)
- DISABLES THE COMPRESSOR(S) OPERATION WHEN CONDENSATE PLUG IS DETECTED, BUT STILL ALLOWS FANS TO RUN FOR ECONOMIZER.

IMPORTANT NOTE:
 CARE SHOULD BE TAKEN TO SWEEP AWAY ALL DRILL SHAVINGS AND TO DRY UP THE WATER LEFT ON ROOF PANEL USED FOR LUBRICATING THE PIPE.

MARK PERIMETER OF FLANGE ON ROOF PANEL, LIFT FLASHING, AND APPLY SEALANT TO ROOF PANEL. APPLY BUTYL TAPE TO PERIMETER, APPLY AND SPREAD THE SEALANT FULLY ACROSS THE UNDERSIDE OF FLANGE.

FASTEN TWO HOLES OPPOSITE EACH OTHER AND PROGRESSIVELY COMPLETE THE FASTENING BY PRESSING THE BASE FIRMLY TO THE ROOF SHEETS TO AVOID GAPS. SEALANT SHOULD OOOZE OUT FROM BASE.



O'Reilly AUTO PARTS
 PROJECT: BUILDING ADDITION
O'REILLY AUTO PARTS STORE
 1040 SOUTH MCKENZIE STREET
 FOLEY, ALABAMA
HVAC SCHEDULES
 CORPORATE OFFICES
 233 SOUTH PATTERSON
 SPRINGFIELD, MISSOURI 65802
 (417) 862-2674 TELEPHONE

3655 S. JEFFERSON AVE.
 SPRINGFIELD, MO 65807
 P: 417-882-2000
 F: 417-882-1188
 WWW.DHRT-ROTH.COM



DRAWN BY: CEV
 CHECKED BY: NEG
 DATE: 10/12/18
 REVISION:
 PROJECT NUMBER: FOL-T133
 SHEET NUMBER: M2

REPRODUCTION PROHIBITED WITHOUT THE EXPRESSED WRITTEN CONSENT OF THE DESIGN PROFESSIONAL. DESIGNS, DRAWINGS AND SPECIFICATIONS ARE INSTRUMENTS OF SERVICE AND ARE THE PROPERTY OF THE DESIGN PROFESSIONAL. COPYRIGHT 2018-2019